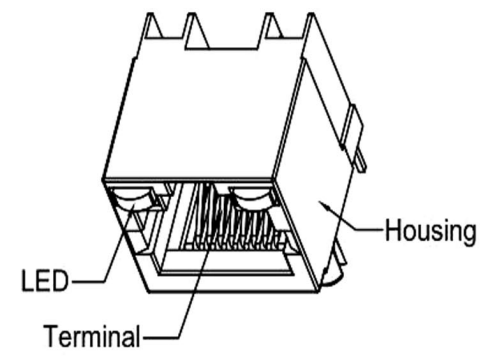


RECOMMENDED PCB LAYOUT
TOP VIEW
TOLERANCE: ±0.05mm
PCB THICKNESS: 1.60±0.05mm

Electrical Characteristics :
Insulation Resistance : 500MΩ Min.
Contact Resistance : 50mΩ Max.
Withstand Voltage : 1000 VAC 1 minute.
Current Rating : 1.5A

Material:
Housing: Thermoplastic UL94V-0
Contact : Selective Gold Plating
Terminal: 0.35mm Thickness Copper Alloy
Plated With Gold And Tin In Solder Area.



RoHS Compliant		HSM 玄茂科技股份有限公司 HSUAN MAO TECHNOLOGY CO., LTD.	
APPD. 核准	SCALE 比例 参考	TOLERANCE(公差): 0.000 mm ± 0.075 mm 0.00 mm ± 0.15 mm 0.0 mm ± 0.25 mm	PART NAME 品名 RJ45 Plastic Jack With LED
DWG. 製圖 Betty	UNIT 單位 M M	SIZE: 紙張尺寸 A 4	PART NO.
DATE 制表日 2015/11/25	PAGE 張數 1 OF 1	REV. 版次 A	料號