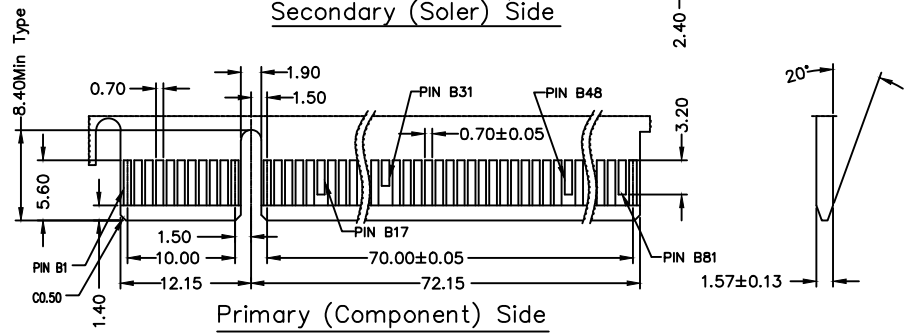
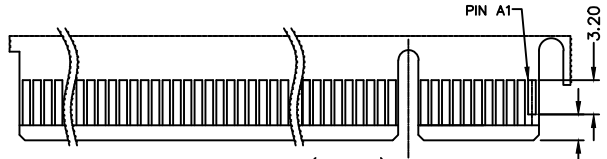
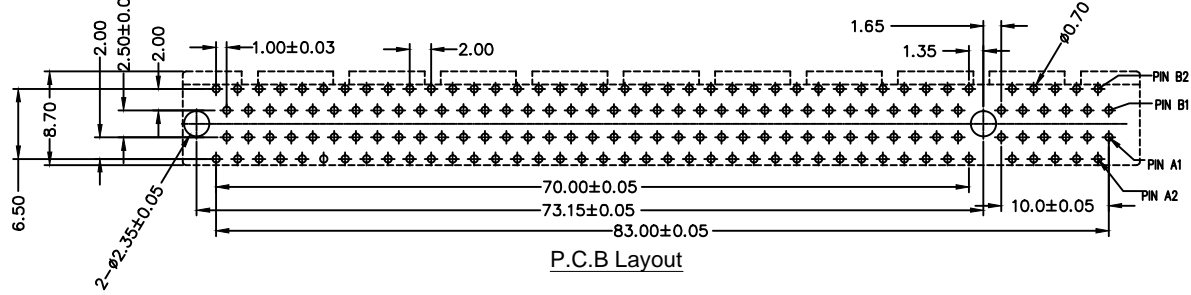
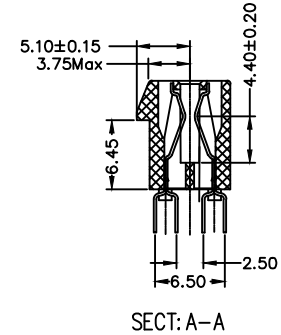
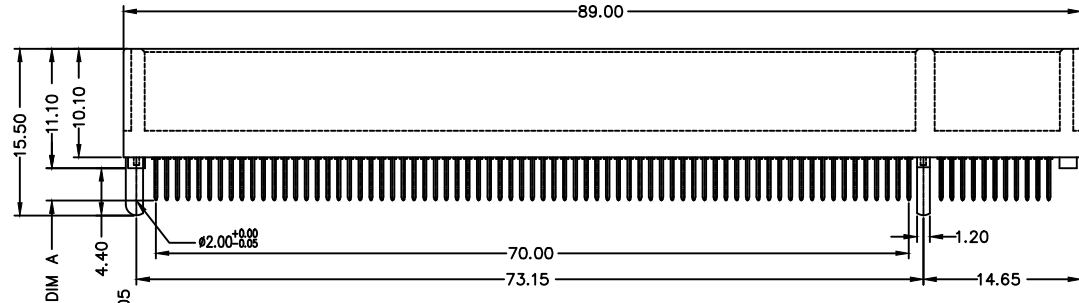
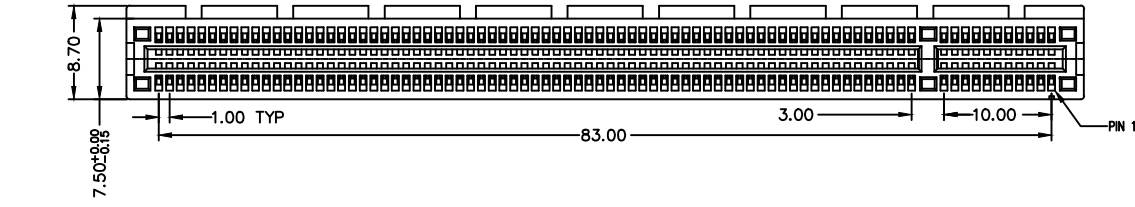


CUSTOMER DRAWING

REV.	DESCRIPTION	DESIGN	APPROVAL	DATE
X1	NEW DRAWING	Ray Hung	Anchor Deng	2021/08/13
X2	MODIFY PACKAGE	Ray	Anchor Deng	2021/09/06



- Specifications:
- Current Rating: 1.1A
 - Insulation Resistance: 1000MΩ Min.At 50V AC.
 - Temperature Range: -55°C~+105°C
 - Contact Resistance: 30mΩ Min.
 - Insertion Force: 1.15N Max per contact pair;
 - Withdrawal Force: 0.15N Min per contact pair;
 - Contact Retention Force Force: 4.9N Min per contact;

- Notes:
- Insulator Material: PA46, UL94V-0
 - Contact Material: Brass or Phosphor Bronze
 - Finish: Au (selective) plating on contact area; Sn (100u" Min) plating on solder tail; Ni (50u" Min) under plating overall.

Part No.: PPE164-MX00-X0F-1R

DIM A:
2: 2.5mm
3: 3.0mm

Green Code:
R: RoHS

Contact Plating:
1: Gold Flash
2: 15u" Min Gold
3: 30u" Min Gold

Package:
1: Tray

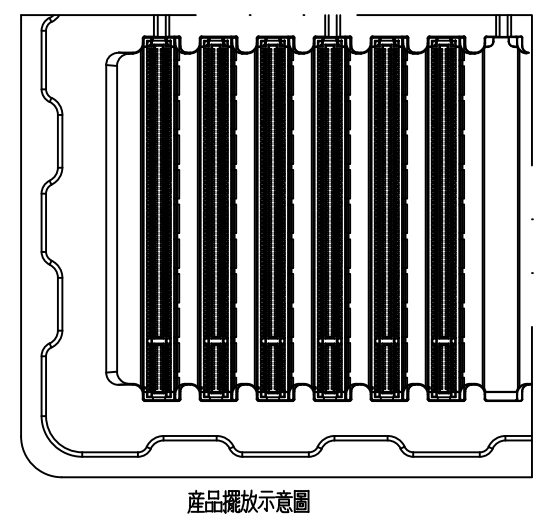
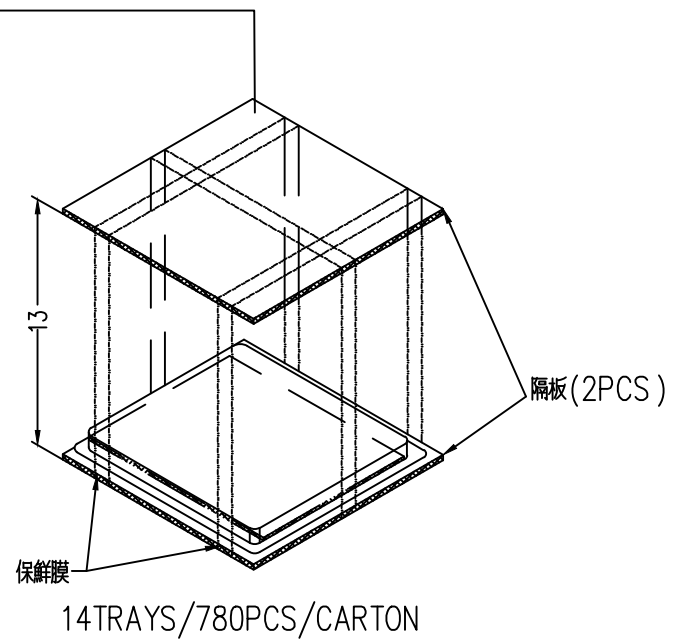
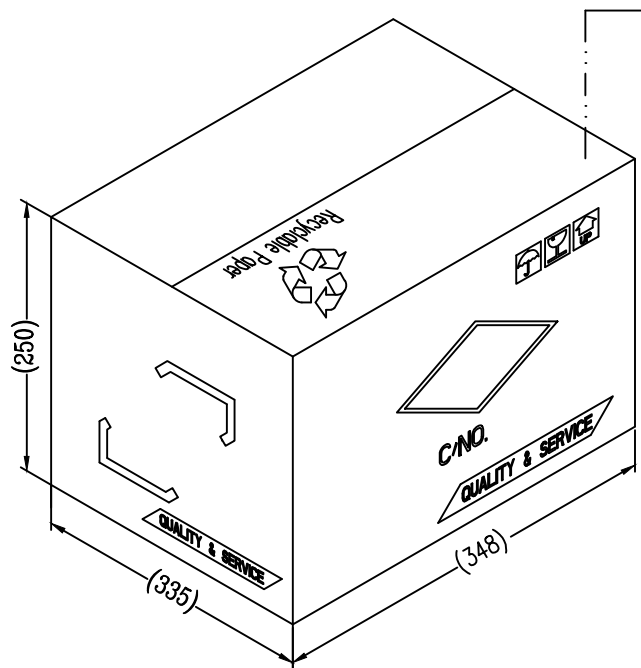
Housing Color:
0: Black

X.±	X.°± 1.5
.X± 0.38	.X°± 1.0
.XX± 0.25	.XX°± 0.5
.XXX± 0.20	.XXX°± 0.3
UNITS:	mm

THESE DRAWINGS AND SPECIFICATIONS ARE THE PROPERTY OF LUXSHARETECH AND SHALL NOT BE REPRODUCED, COPIED OR CUED IN ANY MANNER WITHOUT THE PRIOR WRITTEN CONSENT OF LUXSHARETECH

PART NO.:	PPE164-MX00-X0F-1R
TITLE:	PCI EXPRESS 164 PIN Strop Form Pin Plastic Posts (Subtract)
APPD:	Anchor Deng
CHKD:	Ray Hung
DRAW:	Ray Hung

LUXSHARETECH			
CUSTOMER P/N: N/A			
DWG NO: PPE164-MX00-X0F-1R			
	SCALE	SHEET	REV.
	1:1	1/2	X2

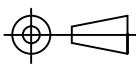


材質及尺寸說明

1. 外箱 A=A<雙浪型>
2. 真空盒: PET, 透明色
3. 隔板尺寸: 340*333*3.0mm, A|A
4. PE袋尺寸: 700*650(開口)*0.05

1. 每盒裝60pcs產品, 每箱14盒, 真空盒正常疊層, 最上層不放產品, 上下各放一個隔板, 用保鮮膜從四面包扎好, 並套上PE袋后封口。
2. 若包裝易吸濕產品在PE袋內加放1包干燥劑, 外箱貼易吸濕標籤

Q'TY: PCS
 N.W.: KGS
 G.W.: KGS
 MEAS: 34.8X33.5X25.0CM

X±	X°± 1.5	PART NO.: SEE SHEET 1	LUXSHARETECH			
.X± 0.38	.X°± 1.0					
.XX± 0.25	.XX°± 0.5	TITLE: PCI EXPRESS 164 PIN Strop Form Pin Plastic Posts (Subtract)	CUSTOMER P/N: N/A			
.XXX± 0.20	.XXX°± 0.3					
UNITS:	mm	APPD: Anchor Deng	DWG NO: SEE SHEET 1			
THESE DRAWINGS AND SPECIFICATIONS ARE THE PROPERTY OF LUXSHARETECH AND SHALL NOT BE REPRODUCED, COPIED OR CUED IN ANY MANNER WITHOUT THE PRIOR WRITTEN CONSENT OF LUXSHARETECH		CHKD: Ray Hung		SCALE	SHEET	REV.
		DRAW: Ray Hung		1:1	2/2	X2