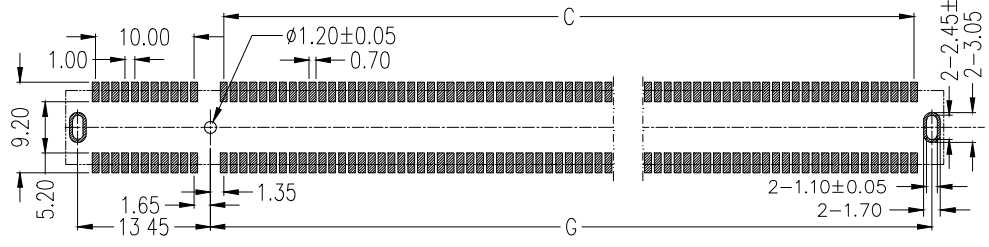
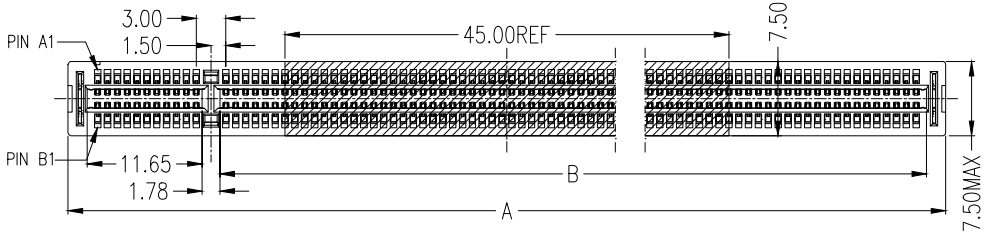
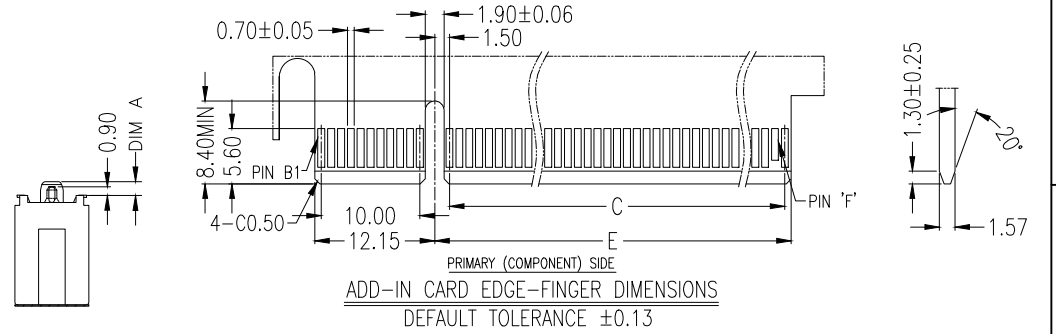
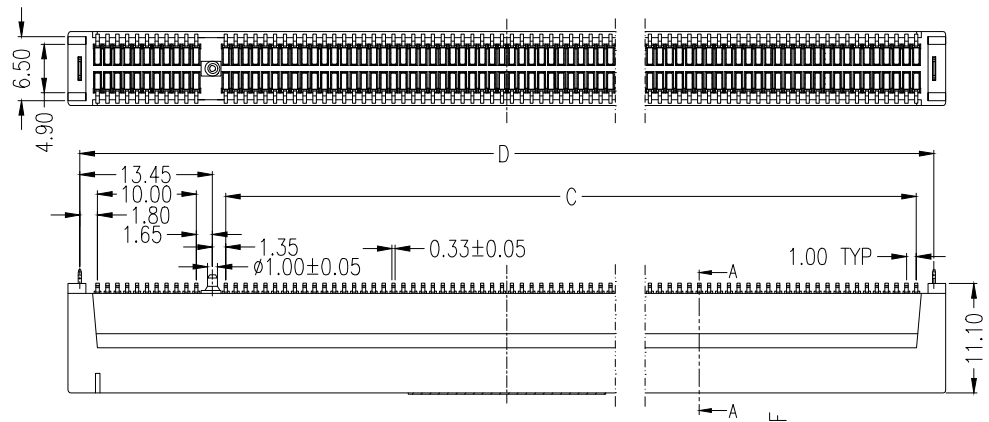
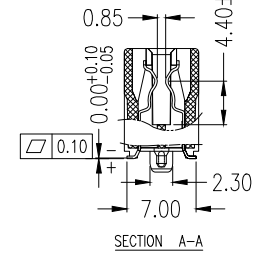
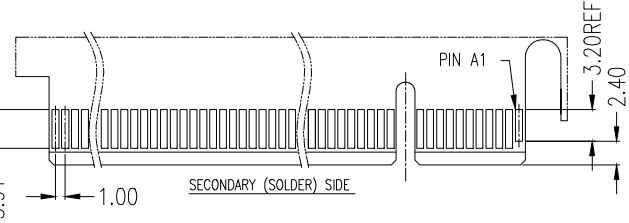


REV.	DESCRIPTION	DESIGN	APPROVAL	DATE
X1	NEW DESIGN	T.H	R.G	2020/10/27



P.C.B LAYOUT (T=1.60mm)
COMPONENT SIDE



#POS REF	DIM'A	DIM'B	DIM'C	DIM'D	DIM'E	PIN'F'	DIM'G
36P	25.00	7.65	6.00	22.60	8.15	B17	9.15
64P	39.00	21.65	20.00	36.60	22.15	B31	23.15
98P	56.00	38.65	37.00	53.60	39.15	B48	40.15
164P	89.00	71.65	70.00	86.60	72.15	B81	73.15

NOTES

- **Material:**
Insulator: LCP, UL94V-0 Rated, Black
Contacts: Phosphor Bronze
Plating: Au Plating on contact area,
Sn (100u" Min.) plating on solder tail,
Ni (50u" Min.) under plating overall.
Harpoon: Brass/ Ni (50u" Min.)
- **Mechanical:**
Insertion Force: 1.15N max per contact pair ;
Withdrawal Force: 0.15N min per contact pair;
Contact Retention Force: 3.43N min per contact;
Durability: 50 cycles.
- **Electrical Specification:**
Current Rating: 1.1A
Contact Resistance: 30mΩ Max.
Insulation Resistance: 1000MΩ Min.
Dielectric Withstanding Voltage: 500V
- **Environmental:**
Operating Temperature: -55°C~+105°C

PART NO.: PIEXXX-XXXX-XXX-XX

- Number of Contact: ←
- 036: 36Pin
- 064: 64Pin
- 098: 98Pin
- 164: 164Pin
- Housing Material: ←
- P1: LCP, UL94V-0
- P2: Nylon9T, UL94V-0
- Housing Color: ←
- 1A: Black
- Board Lock DIM A: ←
- B1: 1.40±0.15
- B2: 2.05±0.15
- Plating: ←
- 1: Gold flash plated on contact area
- 2: 15u" Min Gold plated on contact area
- 3: 30u" Min Gold plated on contact area
- 包規: ←
- 0: Tray&Mylar
- 1: Reel&Mylar
- Halogen: ←
- N: Notmal Material
- H: Halogen Free

X.±0.10	X.°± 1.5	PART NO.: PIEXXX-XXXX-XXX-XX	LUXSHARETECH								
.X± 0.08	.X°± 1.0										
.XX± 0.05	.XX°±0.5	TITLE: PCI Express 4.0 SMT Type (Straight Metal Posts)	CUSTOMER P/N: N/A								
.XXX± 0.02	.XXX°± 0.3										
UNITS:	mm	APPD: Rongzhe Guo 2020/10/27	DWG NO: PIEXXX-XXXX-XXX-XX								
THESE DRAWINGS AND SPECIFICATIONS ARE THE PROPERTY OF LUXSHARETECH AND SHALL NOT BE REPRODUCED, COPIED OR CUED IN ANY MANNER WITHOUT THE PRIOR WRITTEN CONSENT OF LUXSHARETECH		CHKD: Ray Hung 2020/10/27	<table border="1"> <tr> <th>SCALE</th> <th>SHEET</th> <th>REV.</th> </tr> <tr> <td>1:1</td> <td>1/1</td> <td>X1</td> </tr> </table>			SCALE	SHEET	REV.	1:1	1/1	X1
SCALE	SHEET	REV.									
1:1	1/1	X1									
		DRAW: Ted Hong 2020/10/27									