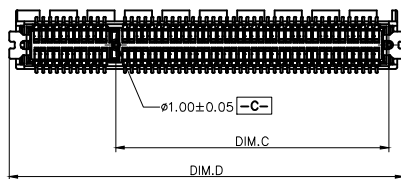
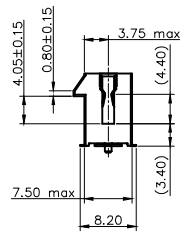
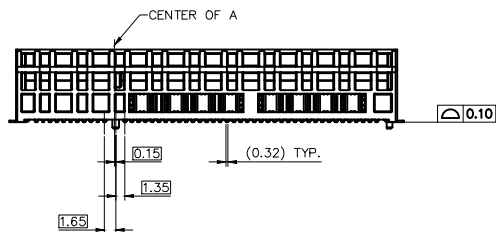
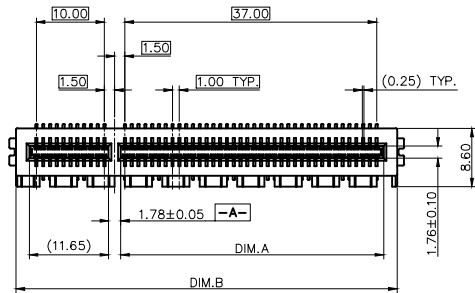


8		7		6		5		4		3		2		1	
CUSTOMER DRAWING						REV.	DESCRIPTION			DESIGN	APPROVAL	DATE			
						X1	NEW DRAWING			Daniel.Lin	Rongzhe Guo	2022.11.09			



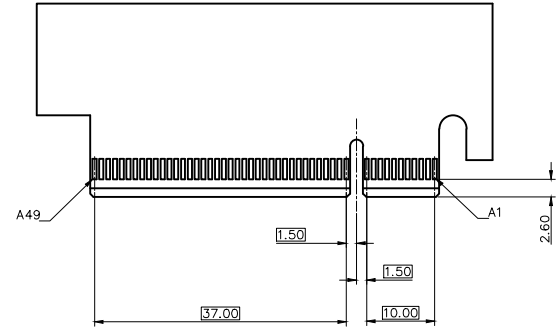
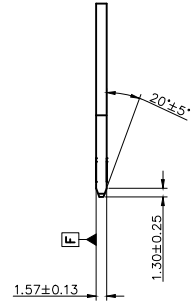
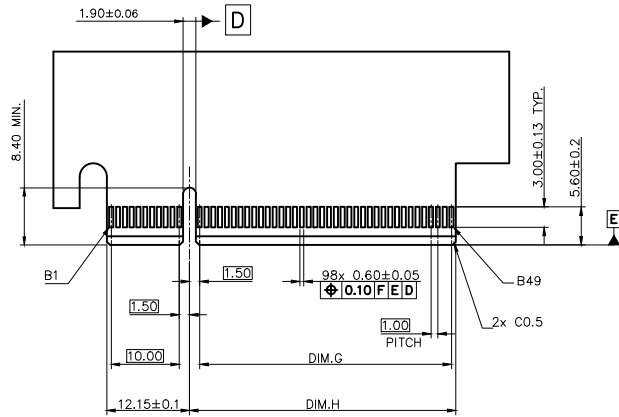
- 1.MATERIAL:
 - 1.1 HOUSING: LCP, UL94V-0; COLOR: BLACK
 - 1.2 CONTACT: COPPER ALLOY.
 - 1.3 HOLD DOWN: COOPER ALLOY.
 - 1.4 SHIELDING: COOPER ALLOY.
- 2.FINISH:
 - 2.1 CONTACT:
 - 50u" MIN. NICKEL PLATING OVERALL.
 - 15u" or 30u" MIN. GOLD ON CONTACT AREA.
 - 100u" MIN. MATT TIN PLATING ON SOLDER TAIL.
 - 2.2 HOLD DOWN:
 - 100u" MIN. MATT TIN PLATING ON SOLDER AREA.
 - 2.3 SHIELDING:
 - 100u" MIN. MATT TIN PLATING
- 3.HALOGEN-FREE PRODUCT P/N:
 - PIE098-3500-001-0H

P/N:	DIM.A	DIM.B	DIM.C	DIM.D	DIM.E	CONNECTOR LINK WIDTH
98	38.65	56.00	40.15	58.00	91.00	X16

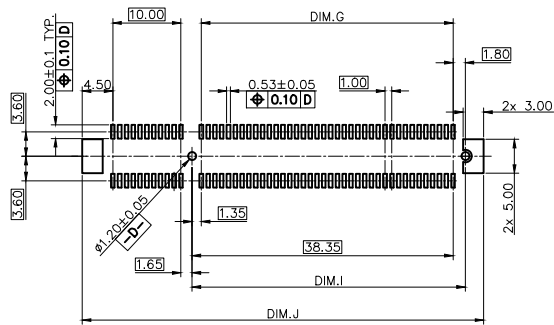
X±0.50	X.°±3°	PART NO.: PIE098-3500-001-0H	LUXSHARETECH			
.X±0.25	.X°±2°					
.XX±0.20	.XX°±1°	TITLE: PCIE SLOT GEN 5 98PIN SMT TYPE CONNECTOR	SUPPLIER P/N:			
.XXX±0.15	.XXX°±0.5°					
UNITS: mm		APPD: Rongzhe Guo	DWG NO: PIE098-3500-001-0H-02			
THESE DRAWINGS AND SPECIFICATIONS ARE THE PROPERTY OF LUXSHARE-ICT AND SHALL NOT BE REPRODUCED, COPIED OR CUED IN ANY MANNER WITHOUT THE PRIOR WRITTEN CONSENT OF LUXSHARETECH						CHKD: Xiaogang Liu
		DRAW: Daniel Lin		SCALE	SHEET	REV.
				1:1	1/1	X1

CUSTOMER DRAWING

REV.	DESCRIPTION	DESIGN	APPROVAL	DATE



ADD-IN-CARD DIM.



RECOMMENDED PCB LAYOUT

P/N:	DIM.G	DIM.H	DIM.I	DIM.J	CONNECTOR LINK WIDTH
98	37.00	39.15	40.15	59.00	X8

X.± 0.50	X.°± 3°
.XX± 0.25	.X°± 2°
.XX± 0.20	.XX°± 1°
.XXX± 0.15	.XXX°± 0.5°
UNITS:	mm

THESE DRAWINGS AND SPECIFICATIONS ARE THE PROPERTY OF LUXSHARE-ICT AND SHALL NOT BE REPRODUCED, COPIED OR CUED IN ANY MANNER WITHOUT THE PRIOR WRITTEN CONSENT OF LUXSHARETECH

PART NO.:	PIE098-3500-001-0H
TITLE:	PCIE SLOT GEN 5 98PIN SMT TYPE CONNECTOR
APPD:	Rongzhe Guo
CHKD:	Xiaogang Liu
DRAW:	Daniel Lin

LUXSHARETECH

SUPPLIER P/N:

DWG NO: PIE098-3500-001-0H-02

	SCALE	SHEET	REV.
	1:1	1/1	X1