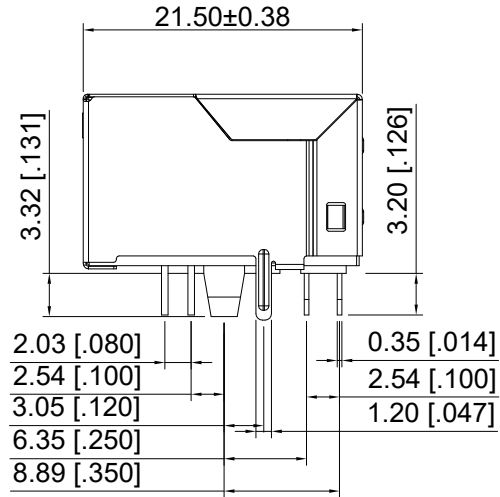
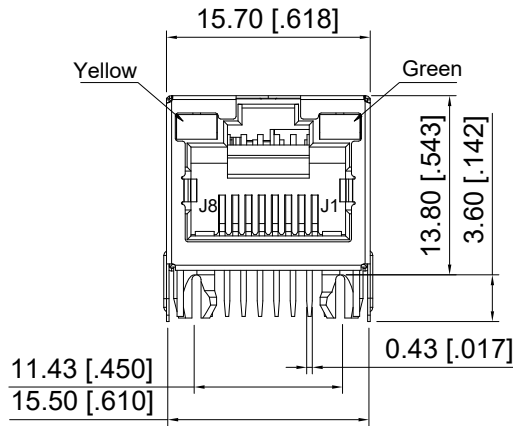
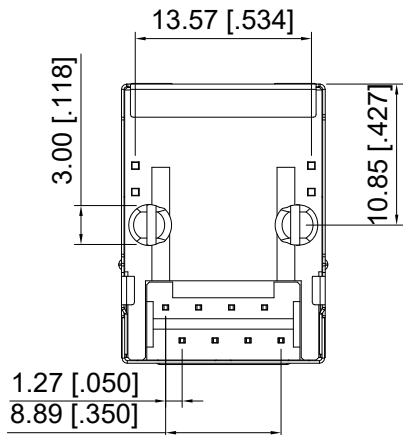


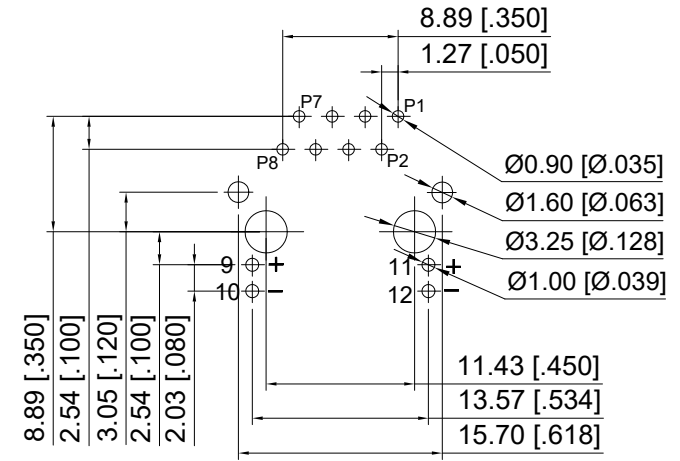
Mechanical



| GoldPlating | Option |
|-------------|-------------------------------------|
| 1.8μ" | <input type="checkbox"/> |
| 3μ" | <input type="checkbox"/> |
| 6μ" | <input checked="" type="checkbox"/> |
| 15μ" | <input type="checkbox"/> |
| 30μ" | <input type="checkbox"/> |
| 50μ" | <input type="checkbox"/> |



| NO. | ECN NO. | DESCRIPTION | REV. | DRAW | DATE |
|-----|---------|-------------|------|------|------|
| 1 | | | | | |
| 2 | | | | | |
| 3 | | | | | |



RECOMMENDED P.C.B LAYOUT
TOP VIEW (COMPONENT SIDE)

Dimensions Tolerance:
All PCB LAYOUT
Tolerances:±0.05[.002]

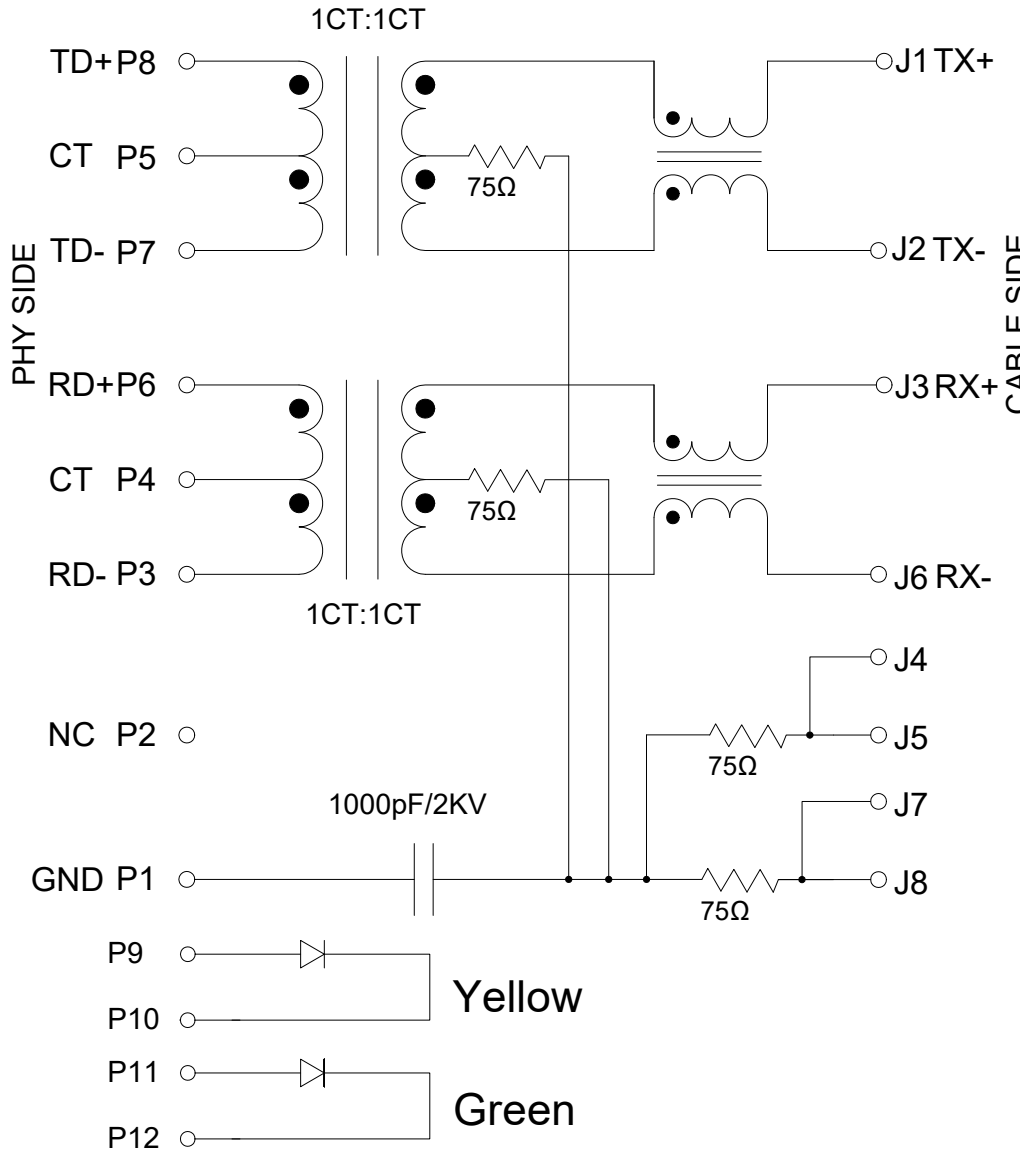
MATERIALS

| |
|---|
| 1.HOUSING:GLASS FILLED PA46(BLACK) UL94V-0(ROHS) |
| 2.CONTACT: PHOSPHOR BRONZE,50 MICROINCHES MIN. OVERALL DUCTILE NICKEL UNDERPLATE WITH SELECTED 6 MICROINCHES GOLD AT MATING INTERFACE |
| 3.SHIELD:0.2mm THICKNESS WITH BRASS. |
| 4.JACK CAVITY CONFORMS TO FCC RULES AND REGULATIONS PART 68 SUBPART F |
| 5.THE PART IS RECOMMENDED FOR WAVE SOLDERING PROCESS PEAK SOLDERING TEMPERATURE IS 260°C MAX,10 SECS MAX. |
| 6.OPERATING TEMPERATURE:-40°C TO +85°C. STORAGE TEMPERATURE:-40°C TO +85°C. |

| 产品客户图 Customer Drw | | | | GLGNET® 深圳市方向电子股份有限公司 SHEN ZHEN GLGNET ELECTRONICS CO., LTD. | | | |
|---|---|-------------|--------------|---|------------|-------------|----------------|
| 未注公差 TOLERANCE UNLESS OTHERWISE SPECIFIED | 0.XX ±0.10 X.XX ±0.25 XX.XX ±0.25 X° ±2° | Description | | RJ45 1X1 Tab_Up/Through Hole 10/100Base-T W/LED | | | |
| 比例 SCALE | 1:1 | 角法 PROJ. | 设计 DESIGN | WANGKG | 2023.02.17 | 品名 TITLE | JRU1S411-Y/G |
| 张数 SHEET | 1/2 | 大小 SIZE | A4 | 校对 CHECKED | DANNY | 2023.02.17 | 料号 ITEM NO. |
| 单位 UNIT | mm | 版本 REV. | B0 | 核准 APPROVED | BYANG | 2023.02.17 | 图号 DWG NO. |

Schematic

| NO. | ECN NO. | DESCRIPTION | REV. | DRAW | DATE |
|-----|---------|-------------|------|------|------|
| 1 | | | | | |
| 2 | | | | | |
| 3 | | | | | |



| PARAMETER | SPECIFICATIONS |
|----------------------------------|---|
| OPERATING TEMPERATURE | -40°C To +85°C |
| URNS RATIO | 1:1±2% |
| INDUCTANCE(OCL) | 350uH MIN@100KHz/100mV With 8mA DC Bias |
| INSERTION LOSS | -1.0dB MAX@0.3MHz-100MHz; |
| RETURN LOSS (Z out=100 OHM) | -18dB MIN@1MHz-30MHz; -16dB MIN@30MHz-60MHz; -12dB MIN@60MHz-80MHz;-10dB MIN@80MHz-100MHz; |
| CROSSTALK (ADJACENT CHANNELS) | -30dB MIN@1MHz-100MHz; |
| COMMON MODE REJECTION RATIO | -30dB MIN@1MHz-100MHz; |
| HI-POT | 2250 VDC@60 SECONDS |

| LED SPECIFICATION | | | |
|-------------------|------------|----------------|------|
| STANDARD LED | WAVELENGTH | Farward V(max) | TYP |
| GREEN | 570nm | 2.4V | 2.2V |
| YELLOW | 590nm | 2.5V | 2.1V |

*WITH A FORWARD CURRENT OF 20mA

| 产品客户图 Customer Drw | | | GLGNET® 深圳市方向电子股份有限公司 SHEN ZHEN GLGNET ELECTRONICS CO., LTD. | | | | |
|---|---|-------------|---|--|------------|----------------|--------------|
| 未注公差 TOLERANCE UNLESS OTHERWISE SPECIFIED | 0.XX ±0.10 X.XX ±0.25 XX.XX ±0.25 X° ±2° | | Description | RJ45 1X1 Tab_Up/Through Hole 10/100Base-T W/LED | | | |
| 比例 SCALE | 1:1 | 角法 PROJ. | 设计 DESIGN | WANGKG | 2023.02.17 | 品名 TITLE | JRU1S411-Y/G |
| 张数 SHEET | 2/2 | 大小 SIZE | 校对 CHECKED | DANNY | 2023.02.17 | 料号 ITEM NO. | 130006-02111 |
| 单位 UNIT | mm | 版本 REV. | 核准 APPROVED | BYANG | 2023.02.17 | 图号 DWG NO. | |