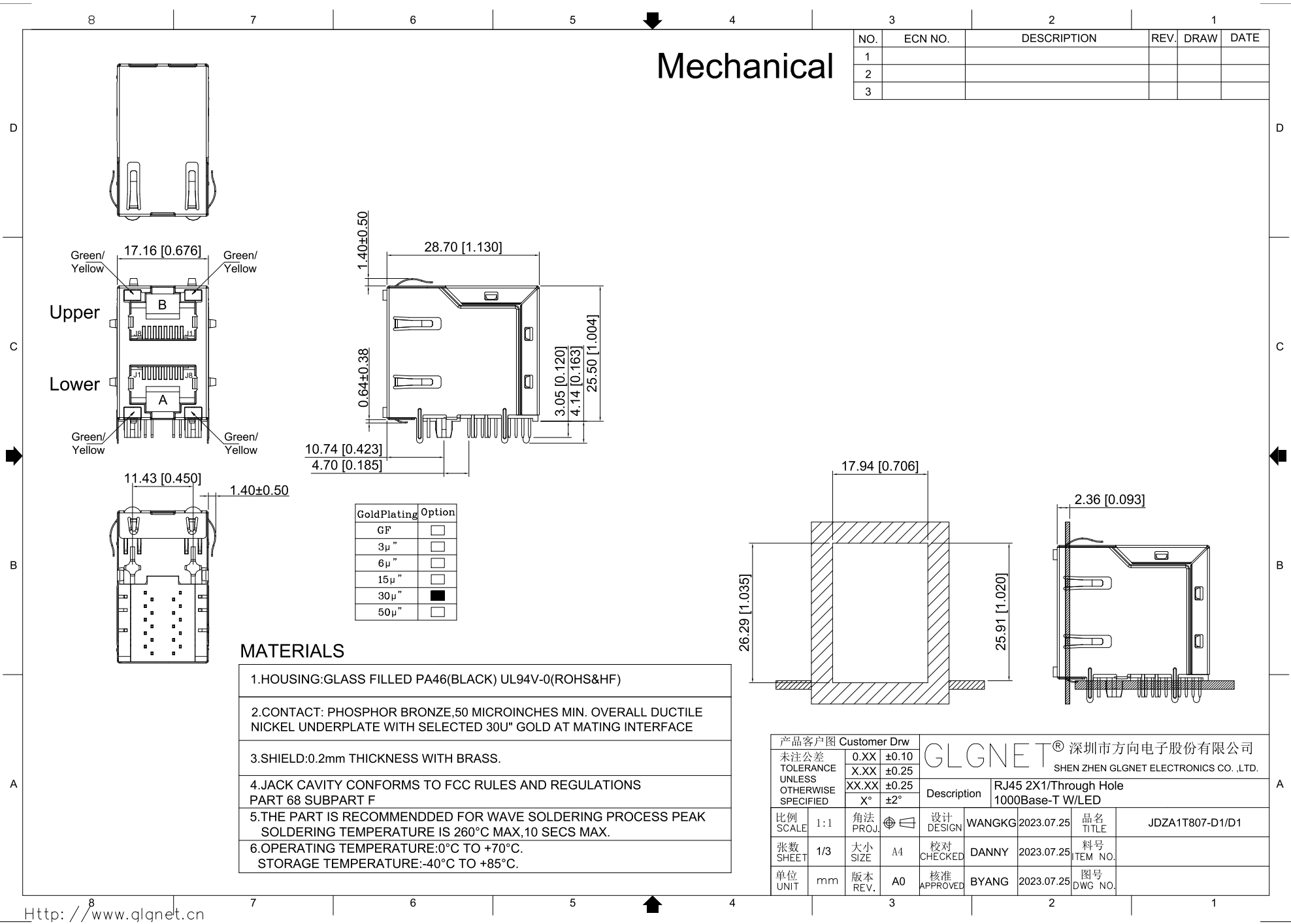


# Mechanical

NO.	ECN NO.	DESCRIPTION	REV.	DRAW	DATE
1					
2					
3					



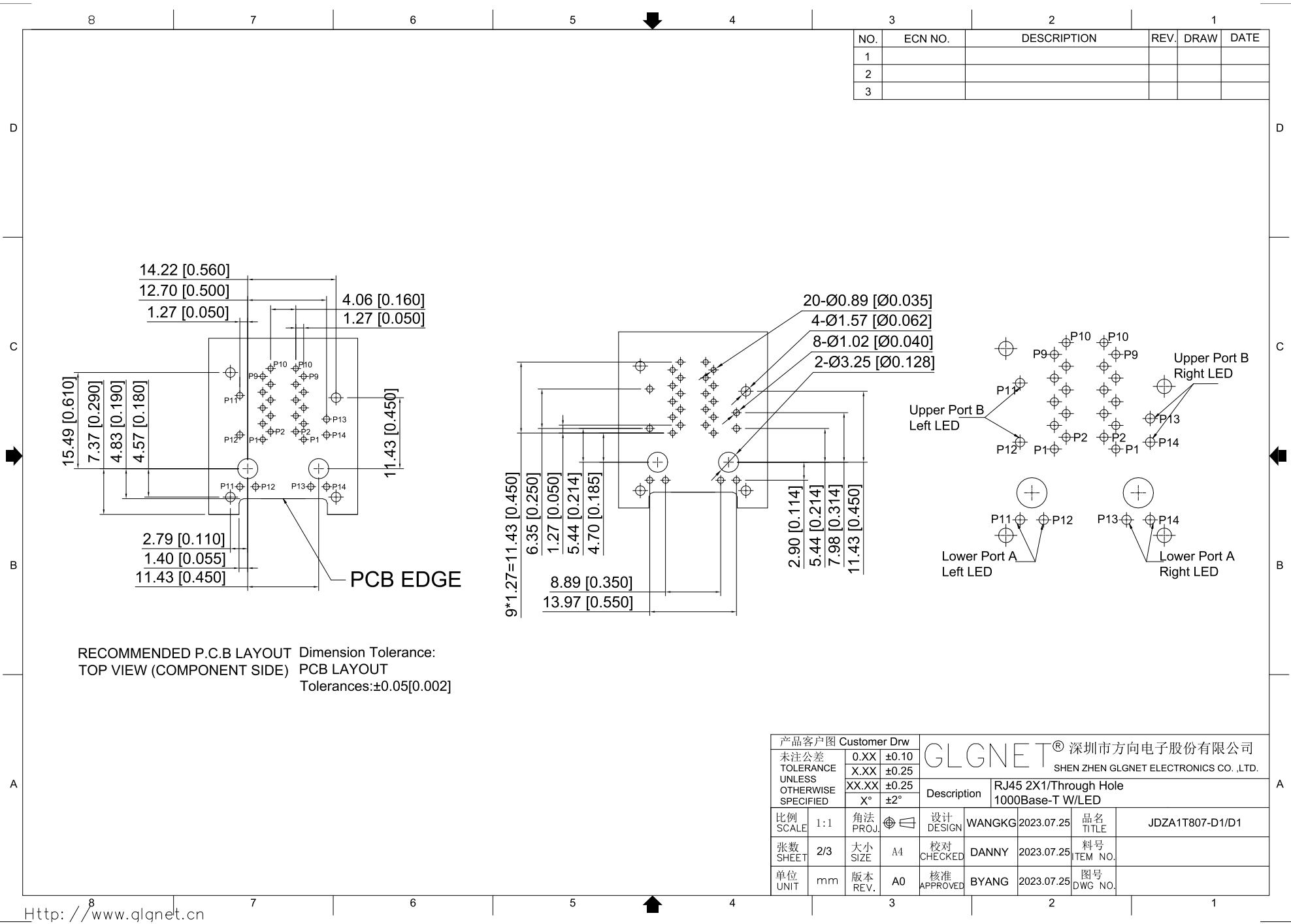
GoldPlating	Option
GF	<input type="checkbox"/>
3μ"	<input type="checkbox"/>
6μ"	<input type="checkbox"/>
15μ"	<input type="checkbox"/>
30μ"	<input checked="" type="checkbox"/>
50μ"	<input type="checkbox"/>

## MATERIALS

- HOUSING: GLASS FILLED PA46(BLACK) UL94V-0(ROHS&HF)
- CONTACT: PHOSPHOR BRONZE, 50 MICROINCHES MIN. OVERALL DUCTILE NICKEL UNDERPLATE WITH SELECTED 30U" GOLD AT MATING INTERFACE
- SHIELD: 0.2mm THICKNESS WITH BRASS.
- JACK CAVITY CONFORMS TO FCC RULES AND REGULATIONS PART 68 SUBPART F
- THE PART IS RECOMMENDED FOR WAVE SOLDERING PROCESS PEAK SOLDERING TEMPERATURE IS 260°C MAX, 10 SECS MAX.
- OPERATING TEMPERATURE: 0°C TO +70°C.  
STORAGE TEMPERATURE: -40°C TO +85°C.

产品客户图 Customer Drw		GLGNET® 深圳市方向电子股份有限公司 SHEN ZHEN GLGNET ELECTRONICS CO., LTD.			
未注公差 TOLERANCE UNLESS OTHERWISE SPECIFIED	0.XX ±0.10 X.XX ±0.25 XX.XX ±0.25 X° ±2°	Description	RJ45 2X1/Through Hole 1000Base-T W/LED		
比例 SCALE	1:1	角法 PROJ.	设计 DESIGN	WANGKG	2023.07.25
张数 SHEET	1/3	大小 SIZE	校对 CHECKED	DANNY	2023.07.25
单位 UNIT	mm	版本 REV.	核准 APPROVED	BYANG	2023.07.25
		品名 TITLE	JDZA1T807-D1/D1		
		料号 ITEM NO.			
		图号 DWG NO.			

NO.	ECN NO.	DESCRIPTION	REV.	DRAW	DATE
1					
2					
3					

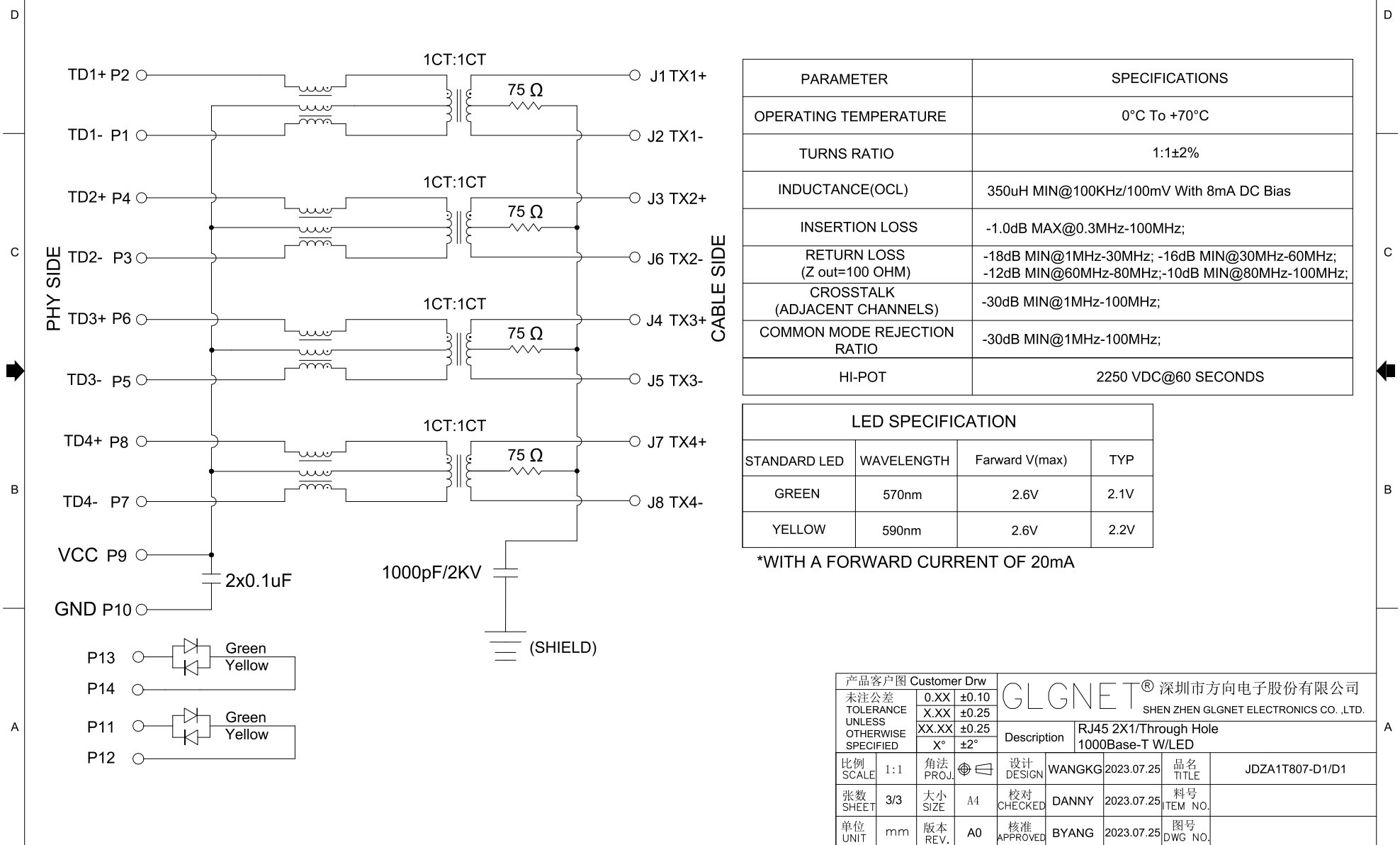


RECOMMENDED P.C.B LAYOUT Dimension Tolerance:  
 TOP VIEW (COMPONENT SIDE) PCB LAYOUT  
 Tolerances:±0.05[0.002]

产品客户图 Customer Drw		GLGNET® 深圳市方向电子股份有限公司 SHEN ZHEN GLGNET ELECTRONICS CO., LTD.			
未注公差 TOLERANCE	0.XX ±0.10 X.XX ±0.25	Description	RJ45 2X1/Through Hole 1000Base-T W/LED		
UNLESS OTHERWISE SPECIFIED	XX.XX ±0.25 X° ±2°		品名 TITLE	JDZA1T807-D1/D1	
比例 SCALE	1:1	角法 PROJ.	设计 DESIGN	WANGKG 2023.07.25	料号 ITEM NO.
张数 SHEET	2/3	大小 SIZE	校对 CHECKED	DANNY 2023.07.25	图号 DWG NO.
单位 UNIT	mm	版本 REV.	核准 APPROVED	BYANG 2023.07.25	

# Schematic

NO.	ECN NO.	DESCRIPTION	REV.	DRAW	DATE
1					
2					
3					



PARAMETER	SPECIFICATIONS
OPERATING TEMPERATURE	0°C To +70°C
TURNS RATIO	1:1±2%
INDUCTANCE(OCL)	350uH MIN@100KHz/100mV With 8mA DC Bias
INSERTION LOSS	-1.0dB MAX@0.3MHz-100MHz;
RETURN LOSS (Z out=100 OHM)	-18dB MIN@1MHz-30MHz; -16dB MIN@30MHz-60MHz; -12dB MIN@60MHz-80MHz;-10dB MIN@80MHz-100MHz;
CROSSTALK (ADJACENT CHANNELS)	-30dB MIN@1MHz-100MHz;
COMMON MODE REJECTION RATIO	-30dB MIN@1MHz-100MHz;
HI-POT	2250 VDC@60 SECONDS

LED SPECIFICATION			
STANDARD LED	WAVELENGTH	Farward V(max)	TYP
GREEN	570nm	2.6V	2.1V
YELLOW	590nm	2.6V	2.2V

\*WITH A FORWARD CURRENT OF 20mA

产品客户图	Customer Drw	GLGNET® 深圳市方向电子股份有限公司 SHEN ZHEN GLGNET ELECTRONICS CO., LTD.			
未注公差 TOLERANCE	0.XX ±0.10 X.XX ±0.25	Description	RJ45 2X1/Through Hole 1000Base-T W/LED		
UNLESS OTHERWISE SPECIFIED	XX.XX ±0.25 X° ±2°		品名 TITLE	JDZA1T807-D1/D1	
比例 SCALE	1:1	角法 PROJ.	设计 DESIGN	WANGKG	2023.07.25
张数 SHEET	3/3	大小 SIZE	校对 CHECKED	DANNY	2023.07.25
单位 UNIT	mm	版本 REV.	核准 APPROVED	BYANG	2023.07.25
				料号 ITEM NO.	
				图号 DWG NO.	