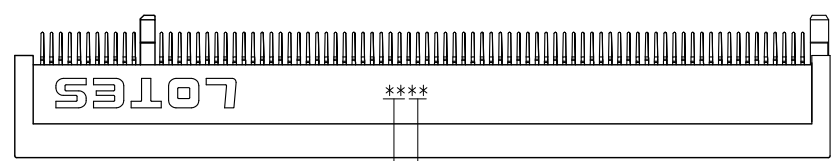
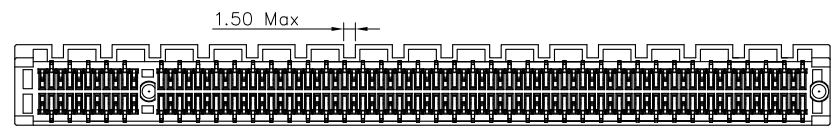
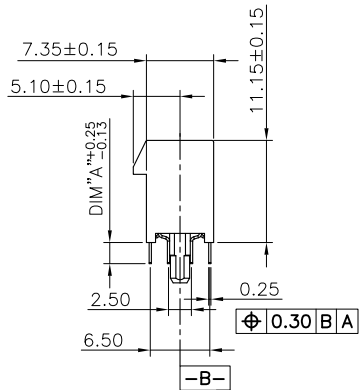
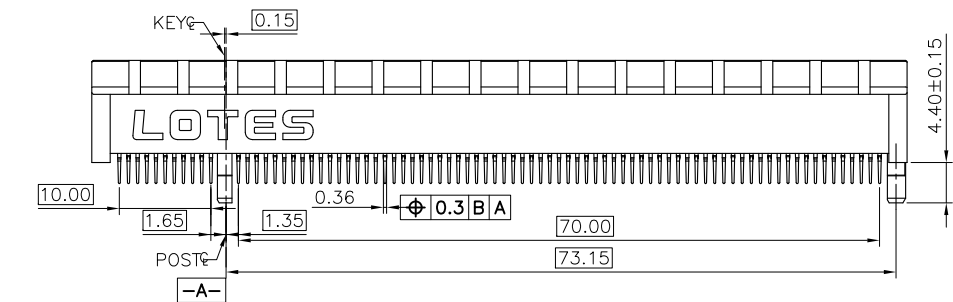
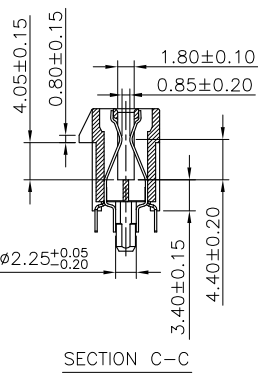
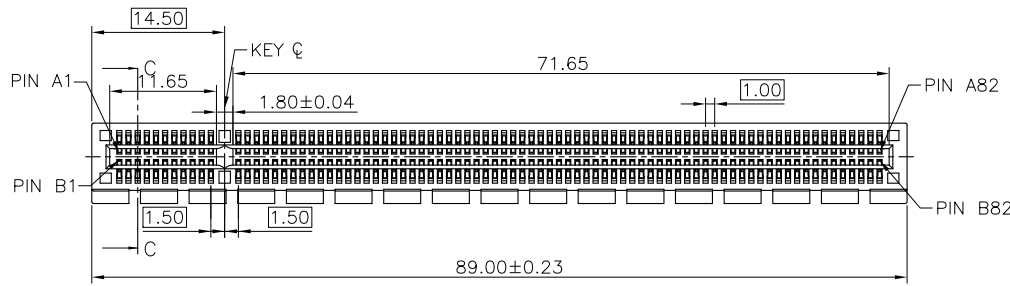


REV.	ECN NO./DESCRIPTION	DATE
2A	R170082	02/07'18
2B	R180431	08/14'19
3	N210140	10/22'21



DATE CODE: WEEK YEAR

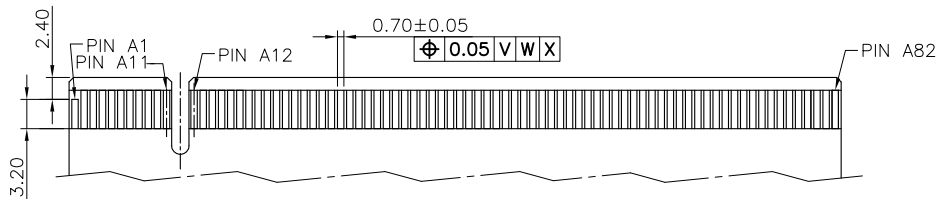
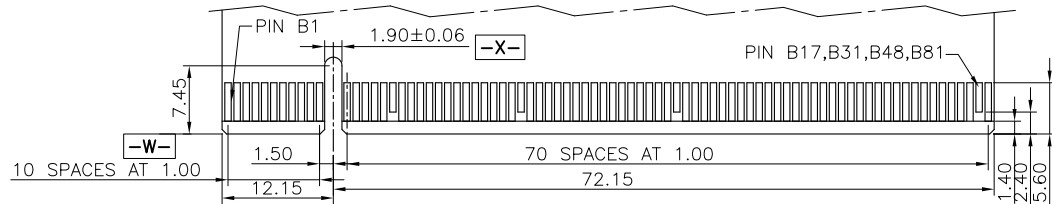
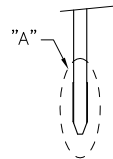
- NOTES:
- MATERIAL:  
HOUSING:HIGH TEMPERATURE THERMOPLASTIC.  
(DETAILS REFER TO TABLE)  
TERMINALS:PHOSPHOR BRONZE C5191 OR BRASS C2680;
  - FINISH:  
CONTACTS:  
Ni 50u" MIN. UNDERPLATED OVER ALL.  
Au PLATED ON CONTACT AREA.(SEE TABLE)  
MATTE Sn 100u" MIN. PLATED ON SOLDER AREA.
  - MECHANICAL SPEC:  
DURABILITY: 50 MATING CYCLES.  
RETENTION FORCE: 0.40 kgf MIN PER PIN.  
MATING FORCE: 1.15N MAX PER PAIR.  
UNMATING FORCE: 0.15N MIN PER PAIR.
  - ELECTRICAL SPEC:  
CURRENT RATING: 1.1A.  
CONTACT RESISTANCE: 30 MILLIOHMS MAX. INITIAL.  
INSULATION RESISTANCE: 1000 MEGOHMS MIN.  
DIELECTRIC WITHSTANDING VOLTAGE: 500V AC MIN.
  - WAVE SOLDERING:  
THE CONNECTOR SHALL BE MOUNTED ON THE PCB,  
THE TEMPERATURE OF THE SOLDER SHALL BE  
260±5°C AND IMMERSION DURATION 10±2 SECONDS.
  - RoHS COMPLIANT OR HALOGEN FREE COMPLIANT.

7.PRODUCT NUMBER NOTE:  
AAA - PCI - \*\*\* -\*\*\* \*

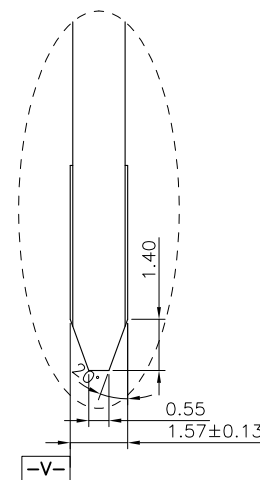
- WITHOUT:PAPER BOX PACKING
- WITH \_A:TRAY PACKING
- WITH \_C:VERTICAL TRAY PACKING
- WITH \_D:HARD TRAY PACKING
- TYPE SERIAL NUMBER
- K:RoHS COMPLIANT
- P:HF COMPLIANT
- PRODUCT SERIAL NUMBER
- PRODUCT TYPE
- FINISHED PRODUCT
- CARD EDGE CONNECTOR
- CONNECTOR

GENERAL TOLERANCES UNLESS SPECIFIED		PART NO.	<b>LOTES</b>			
X± 0.35	X.°± 3°	SEE TABLE				
.XX± 0.25	.X.°± 2°	APPROVED BY	TITLE 164PIN PCI-EXPRESS CONNECTOR			
.XXX±0.15	.XX.°± 1°	Mark zhang 10/22'21				
CUSTOMER DRAWING		CHECKED BY	DWG NO. GAP-AAA-PCI-166			
		WUYAO 10/22'21				
SIZE	UNITS	DRAWN BY	SHEET	SCALE	REV	
A4	MM[INCH]	WUYONGHUA 10/22'21				1 / 2

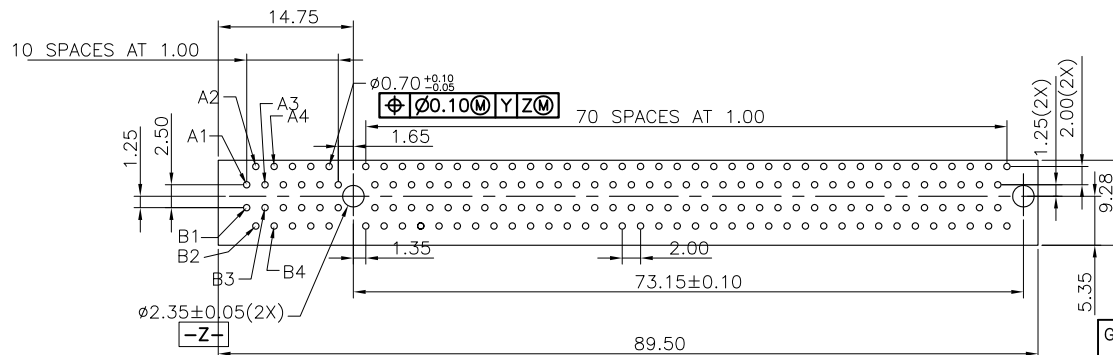
REV.	ECN NO./DESCRIPTION	DATE
2A	R170082	02/07'18
2B	R180431	08/14'19
3	N210140	10/22'21



ADD-IN CARD EDGE-FINGER DIMENSIONS  
 DEFAULT TOLERANCE ±0.05



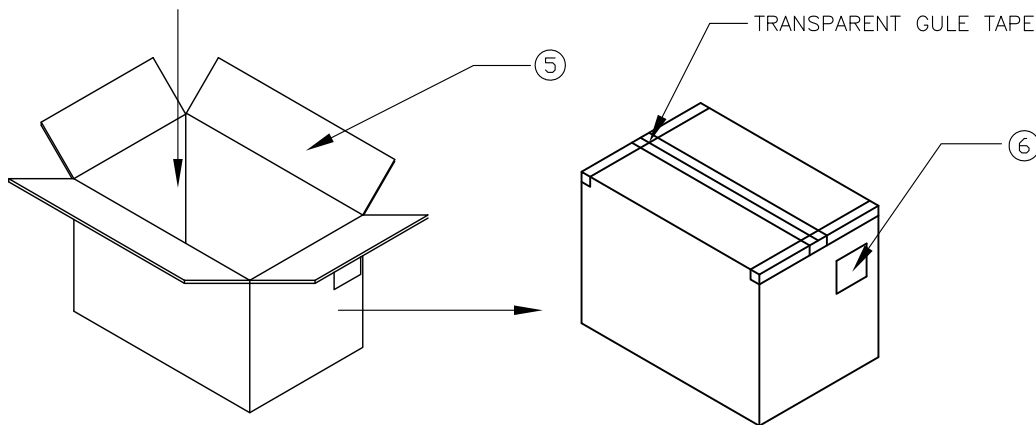
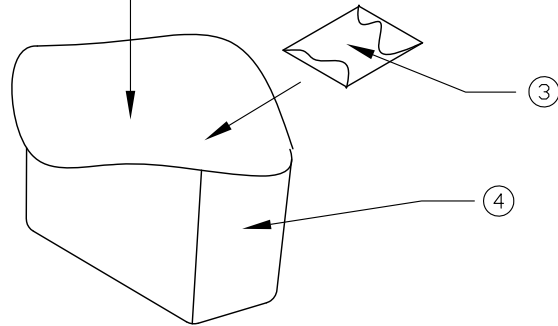
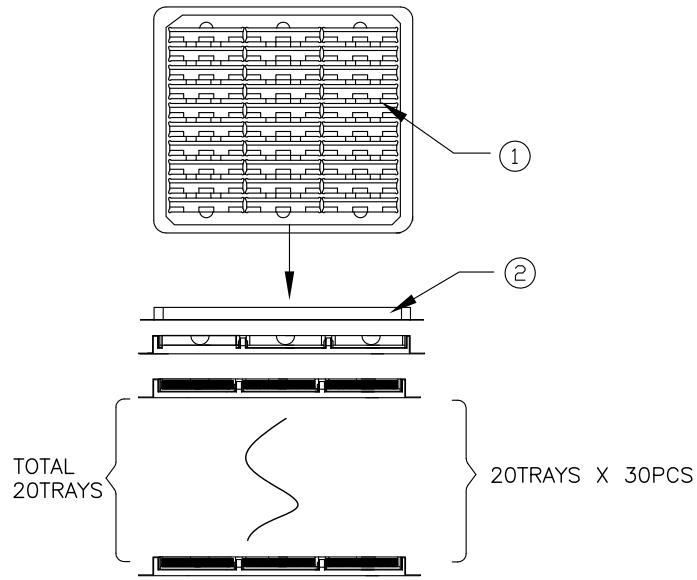
DETAIL "A"  
 SCALE 4/1



RECOMMENDED FOOTPRINT(TOP VIEW)  
 DEFAULT TOLERANCE ±0.05

GENERAL TOLERANCES UNLESS SPECIFIED		PART NO. <b>SEE TABLE</b>	<b>LOTES</b>			
X ± 0.35	X.° ± 3°					
.XX ± 0.25	.X.° ± 2°	APPROVED BY Mark zhang 10/22'21	TITLE 164PIN PCI-EXPRESS CONNECTOR			
.XXX ± 0.15	.XX.° ± 1°					
CUSTOMER DRAWING		CHECKED BY WUYAO 10/22'21	DWG NO. GAP-AAA-PCI-166			
SIZE A4	UNITS MM[INCH]	DRAWN BY WUYONGHUA 10/22'21		SHEET 2 / 2	SCALE 5:4	REV 3

REV.	ECN NO.	DATE
1	N130917	01/08'14



PACKING MATERIAL				
NO.	NAME	PART NO.	SPEC (mm)	QTY
1	TRAY	G09-A-30041-K01	314*275*14	20PCS
1	COVER	G09-A-30041-K02	314*275*14	20PCS
3	DESICCANT	G09-7-00002-K03	50g/BAG	1 PCS
4	TRANSPARENT FILM BAG	G09-6-40009-P01	400*280*420	1 PCS
5	CARTON	G09-1-30005-K03	323*280*257mm;	1 PCS
6	LABEL	N/A	N/A	1 PCS

NOTES:  
 1.ONE TRAY PACKING CAPACITY: 30PCS;  
 2.CARTON PACKING CAPACITY:600PCS.

GENERAL TOLERANCES UNLESS SPECIFIED		PART NO.	<b>LOTES</b>			
.X±0.35	X°±3'	SEE TABLE				
.XX±0.25	.X°±2'	APPROVED BY	TITLE 164PIN PCI EXPRESS CONNECTOR PACKING			
.XXX±0.15	XX°±1.0'	BILL				
CUSTOMER DRAWING		CHECKED BY	DWG NO. GAP-AAA-PCI-166-2			
		BILL				
SIZE	UNITS	DRAWN BY		SHEET	SCALE	REV
A4	MM [INCH]	maiyingkai		1 / 1	1:1	1

