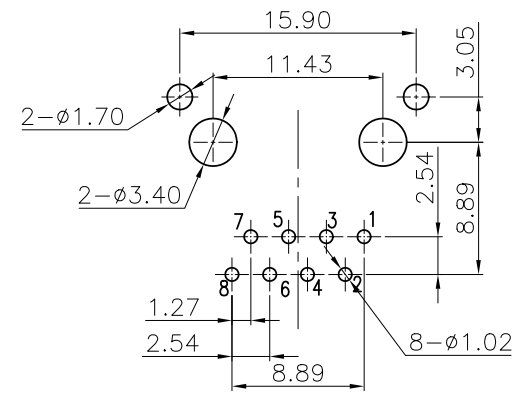
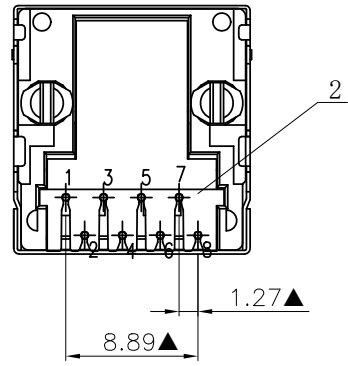
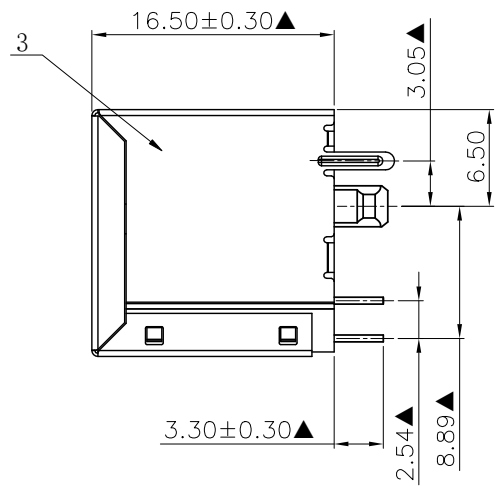
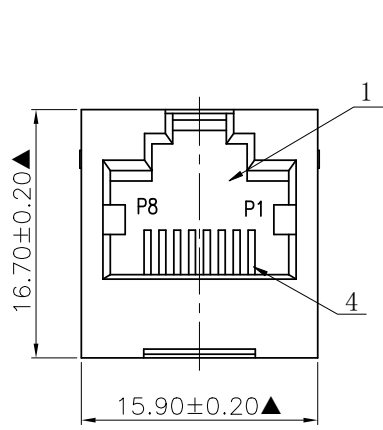
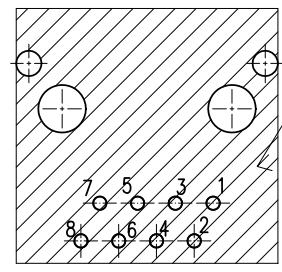


NO.	ECN NO.	DESCRIPTION	REV.	DRAW	DATE
1.					
2.					
3.					

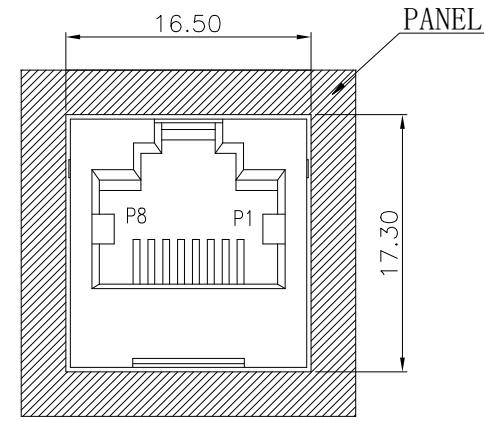


RECOMMENDED P. C. B LAYOUT TOP VIEW
(COMPONENT SIDE TOLERANCE ±0.05)

cross-hatched area denotes
PCB component and trace keep-out



41351-X X G X X 1
规格流水码 电镀代码
05-G/F
11-3u"
15-6u"
19-15u"



Recommend panel cutout

MATERIALS:

- Housing: Glass Filled PA46 UL94V-0.
 - Insert: Glass Filled PA66 UL94V-0.
 - Shielding: 0.20mm Thickness Copper Alloy with Nickel Plated.
 - Contact: 0.46mm DIA. Phosphor Bronze gold Plating Over Nickel.
- ※MATES WITH MODULAR PLUG CONFORMING TO FCC PART 68, SUBPART F.
※凡标注▲记号者, 为重点尺寸.

未注公差 容许公差 TOLERANCE .X ±0.35 X.° ±3° .XX ±0.25 .X.° ±2° .XXX ±0.15 .XX.° ±1°		GLGNET ® 深圳市方向电子股份有限公司 Shenzhen GLGNET Electronics Co.,LTD.			
比例 SCALE	1:1	角法 PROJ.	设计 DESIGN	品名 TITLE	52-S-D-8C
张数 SHEET	1/1	纸张 SIZE	校对 CHECKED	料号 ITEM NO.	41351-00GXX1
单位 UNIT	mm	版本 REV.	核准 APPROVE	图号 DWG NO.	GLG-W0-007