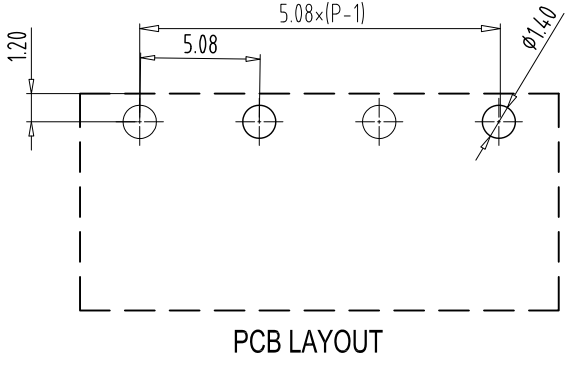
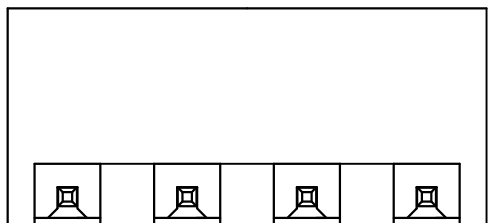
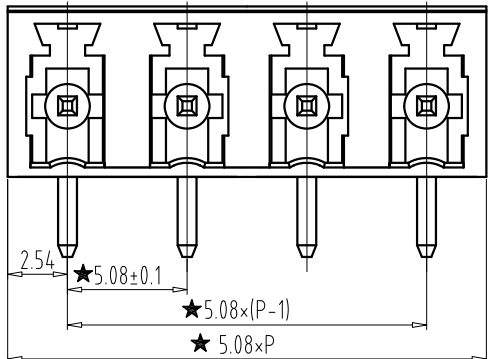
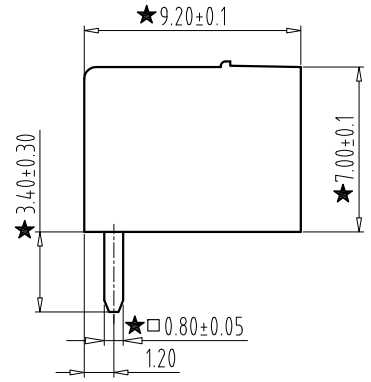
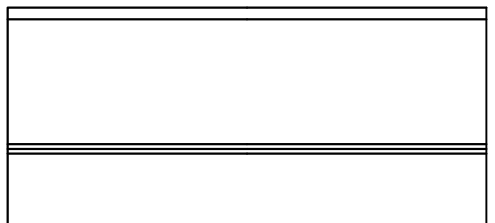


REV	CONTENT	CHK	DATE
V0.0	CONTENT	MYZ	21.08.03

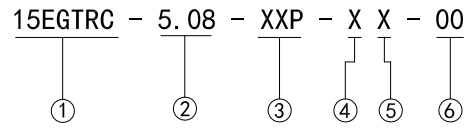


PCB LAYOUT



Electrical :

- |   |               |      |
|---|---------------|------|
|   | UL            | IEC  |
| 1.Rated Voltage :                       | 300V          | 250V |
| 2.Rated Current :                       | 8A            | 7A   |
| 3.Withstanding Voltage :                | AC1600V/1Min. |      |
| 4.Operating Temperature :               | -40°C~+105°C  |      |
| 5.RoHS Compliance                       |               |      |
| 6.Safty Approval :                      | UL CE         |      |
| 7."★" is the key quality control point. |               |      |



- ① Sereies NO.      ④ 1Single Pitch  
   2 Double Pitch
- ② Pitch                      ⑤ Color: 1 Grey  
   2 Blue  
   3 Black  
   4 Green  
   5 Orange  
   6 Red  
   7 Transparent  
   8 Yellow  
   9 White
- ③ Poles  
02 02Contacts  
03 03Contacts  
...  
24 24Contacts
- ⑥ Customer Request: 00--Standard

Total Pitch Tolerances in mm										Nominal dimension range in mm										⊥	≡	-	//							
over 0	over 30	over 53	over 70	over 90	over 115	over 150	over 250	over 350	over 500	over 0	over 30	over 53	over 70	over 90	over 115	over 150	over 200	over 250	over 320	0	over 10	0	over 100	over 150	0	10	all	0	0.3	0.5
±0.18	±0.20	±0.25	±0.3	±0.35	±0.44	±0.60	±0.70	±0.85	±0.20	±0.25	±0.30	±0.35	±0.44	±0.55	±0.70	±0.80	±0.90	0.2	0.3	0.3	0.2	0.3	0.5							

2	PIN	XX	P	BRASS	Tin Plated
1	HOUSING	XX	1	PA66 UL94V-0	
ITEM	NAME OF PART	NO. OF PART	Q'TY	MATERIAL	NOTE
DWG.	MYZ	DATE	21.08.03	SIZE	A4 UNITS mm SHEET/OF 1/1
CHK.		DATE		SCALE	1:1
APP.		DATE		NAME	15EGTRC-5.08-XXP-XX-00

**Grolten** 宁波冠泰电子有限公司  
NINGBO GOLTEN ELECTRONICS CO., LTD.