



Features

- Compact size inductor possible
- Monolithic structure for high reliability
- No cross coupling due to magnetic shield
- Excellent solderability and high heat resistance for reflow soldering or wave soldering.

General Specifications

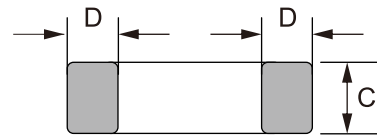
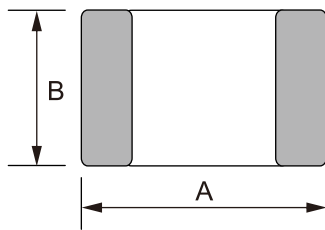
- Operating temp range: -55°C to +125°C
- Storage temp range: -40°C to +85°C

Applications

- Communications
- Personal computers
- Remote control
- Video and audio



► Dimensions & Configurations (Unit:mm)



Type	A	B	C	D
MALS1608 (0603)	1.6±0.15	0.8±0.15	0.8±0.15	0.3±0.2
MALS2012 (0805)	2.0 +0.3/-0.1	1.25±0.2	0.9±0.2	0.5±0.3

▶ Electrical Characteristics For MALS1608 Series

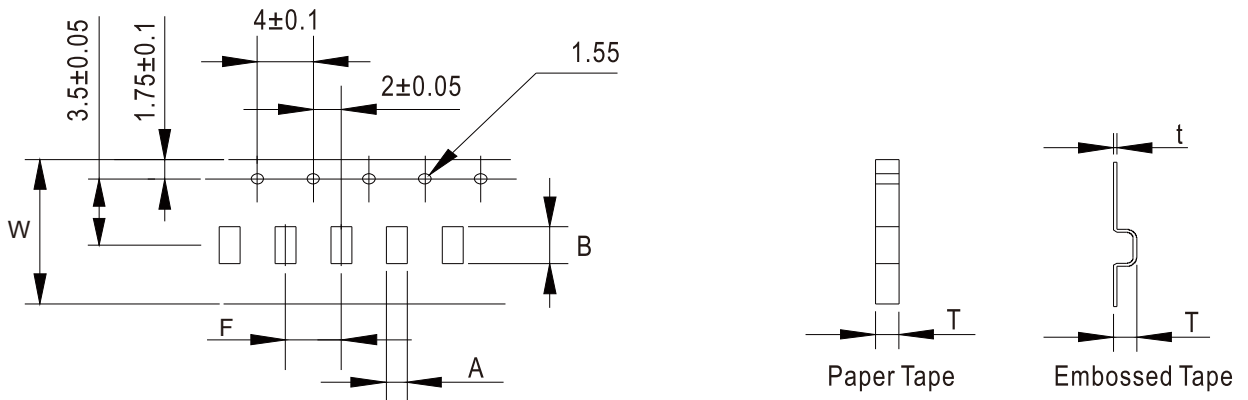
Part Number	Inductance [uH]	L Test Freq [MHz]	SRF(min) [MHz]	DCR (±30%) [Ω]	I _{rms} (max) [mA]	I _{sat} (max) [mA]
MALS1608-R47M	0.47 ±20%	1	120	0.10	1200	600
MALS1608-1R0M	1.0 ±20%	1	90	0.11	1100	300
MALS1608-1R5M	1.5 ±20%	1	75	0.18	900	250
MALS1608-2R2M	2.2 ±20%	1	50	0.20	850	150
MALS1608-3R3M	3.3 ±20%	1	50	0.40	750	80
MALS1608-4R7M	4.7 ±20%	1	35	0.45	700	60
MALS1608-6R8M	6.8 ±20%	1	30	0.60	500	40
MALS1608-100M	10 ±20%	1	20	0.80	400	30

▶ Electrical Characteristics For MALS2012 Series

Part Number	Inductance [uH]	L Test Freq [MHz]	SRF(min) [MHz]	DCR (±30%) [Ω]	I _{rms} (max) [mA]	I _{sat} (max) [mA]
MALS2012-R47M	0.47 ±20%	1	120	0.07	1300	700
MALS2012-1R0M	1.0 ±20%	1	80	0.12	1200	600
MALS2012-1R5M	1.5 ±20%	1	50	0.14	1100	400
MALS2012-2R2M	2.2 ±20%	1	50	0.16	1000	250
MALS2012-3R3M	3.3 ±20%	1	40	0.19	950	175
MALS2012-4R7M	4.7 ±20%	1	35	0.22	900	140
MALS2012-6R8M	6.8 ±20%	1	30	0.45	600	120
MALS2012-100M	10 ±20%	1	20	0.65	500	90
MALS2012-150M	15 ±20%	1	15	0.80	400	80

▶ Tape & Reel Specifications:

Unit: mm



Type	Tape Dimensions (mm)						Tape type	Reel OD (mm)	Quantity PCS / Reel
	W	A	B	F	T	t			
MALS1608	8	1.00	1.80	4.0	0.80	-	Paper Tape	178	4,000
MALS2012	8	1.55	2.25	4.0	0.90	0.30	Embossed Tape	178	4,000