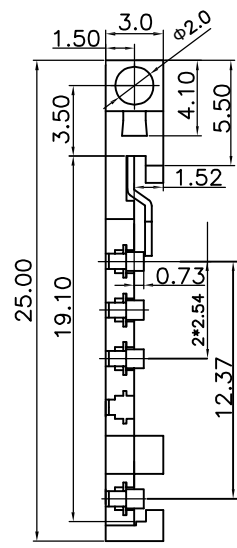
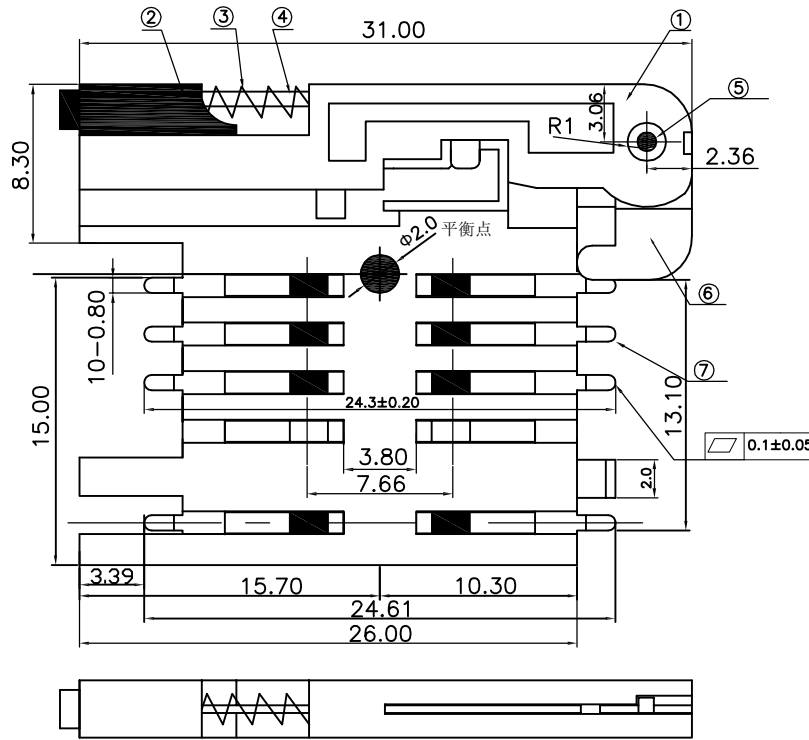


RoHS

REV.	EC#	DESCRIPTION	DATE	DRAWING	CHECKED	APPROVED
------	-----	-------------	------	---------	---------	----------

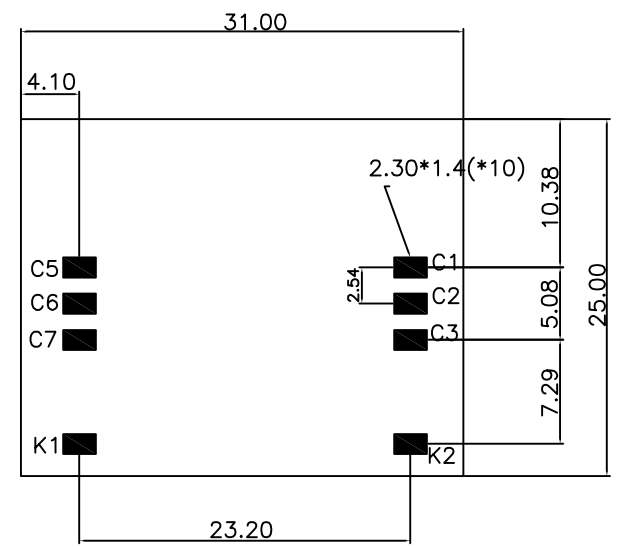


MATERIAL:
 1.CONTACT: COPPER ALLOY
 2.PLATING: SELECTIVE AU ON MATING AREA,TIN ON SOLDER ARER;
 3.HOUSING: LCP

MECHANICAL:
 1.PIN COUNT: 8PIN
 2.DURABILITY:10000 CYCLES;
 3.CONTACT NORMAL FORCE:0.2KG~0.6KGF

ELECTRICAL
 1.INSULATION RESISTANCE:1000MΩ MIN.
 2.CONTACT RESISTANCE:100mΩMAX
 3.CD FUNCTION: NORMALLY OPEN

ENVIRONMENT
 1.OPERATION TEMPERATURE:-40°C~+85°C
 2.SOLDER CONDITION:265°C 5S



PCB LAYOUT

7	Contact	Phosphor copper	8	The balance lever is plated with Ni, AuAu+ plating in contact area
6	Z-piece	stainless steel	1	
5	Minor axis	Brass	1	
4	Push rod	Manganese Steel	1	
3	Spring	stainless steel	1	
2	Button	LCP	1	
1	Bracket	LCP	1	

MILLIMETERS	INCH	UNITS	慈溪市卡连电子有限公司 CIXI CARDCONN ELECTRONIC CO.,LTD
X° ± 2'	X° ±	MM	
X ± 0.30	.XX ±	MAT'L	PART NUMBER: SCCZ0YZ5400Y
.XX ± 0.20	.XXX ±	SEE NOTES	
.XXX ± 0.10	.XXXX ±	FINISH	APPD:
THESE DRAWINGS AND SPECIFICATIONS ARE THE PROPERTY OF CIXI CARDCONN ELECTRONIC CO.,LTD COPIED OR USED IN ANY MANNER WITHOUT THE PRIOR WRITTEN CONSENT OF CIXI CARDCONN ELECTRONIC CO.,LTD			
QTY			CHKD:
SEE NOTES			DR:
			SCALE: 1:1 SHEET: 1/3 REV: A0

RoHS

REV.	EC#	DESCRIPTION	DATE	DRAWING	CHECKED	APPROVED
------	-----	-------------	------	---------	---------	----------

A

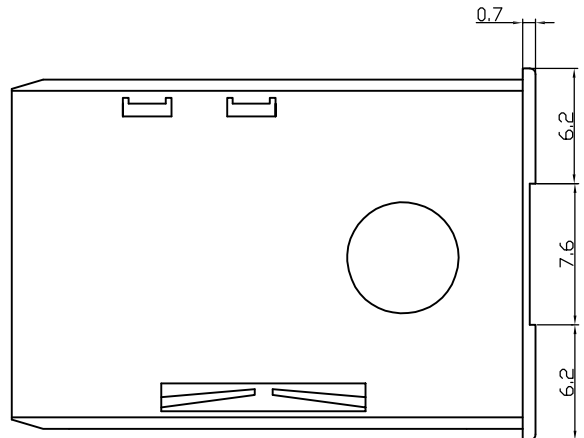
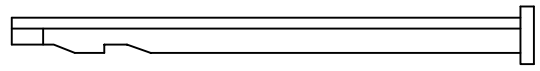
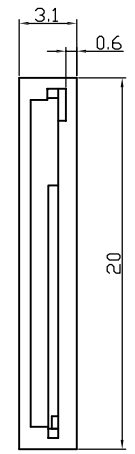
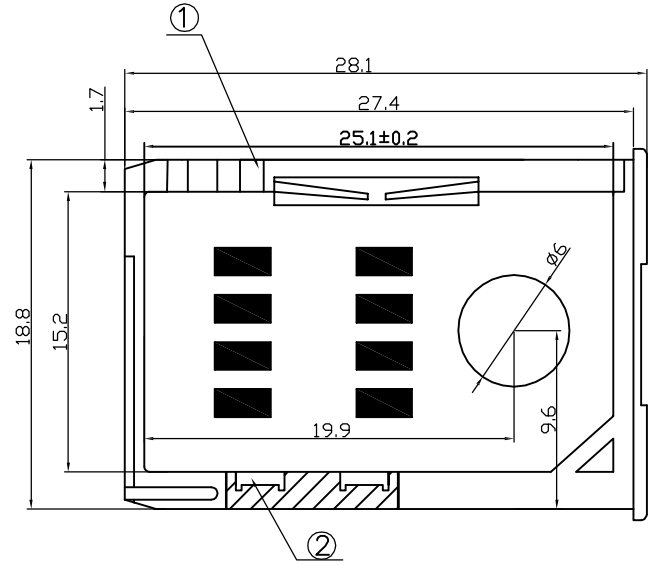
B

C

D


E

SIM



Technical requirements:

1. The product appearance is free of dirt, scratches and deformation,
2. The plastic is free of burrs and mold filling, and the contact piece is free of oxidation and rust

MILLIMETERS	INCH	UNITS	 慈溪市卡连电子有限公司 CIXI CARDCONN ELECTRONIC CO., LTD
X° ± 2'	X° ±	MM	
.X ± 0.30	.XX ±	MAT'L	PART NUMBER: SCCZ0YZ54000
.XX ± 0.20	.XXX ±	SEE NOTES	
.XXX ± 0.10	.XXXX ±	FINISH	APPD:
THESE DRAWINGS AND SPECIFICATIONS ARE THE PROPERTY OF CIXI CARDCONN ELECTRONIC CO.,LTD COPIED OR USED IN ANY MANNER WITHOUT THE PRIOR WRITTEN CONSENT OF CIXI CARDCONN ELECTRONIC CO.,LTD			
QTY			TITLE: Drawer type with push rod 6+2pin DWG NO.: SCC-Z0YZ54000
SEE NOTES			
SCALE			1:1
SHEET			2/3
REV.			A0

11

12

13

14

15

11

12

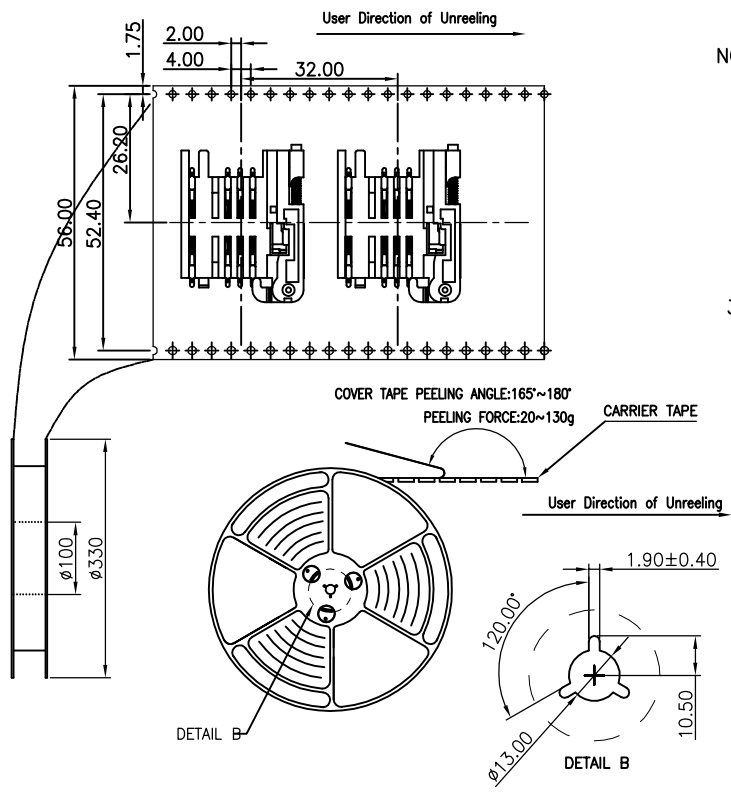
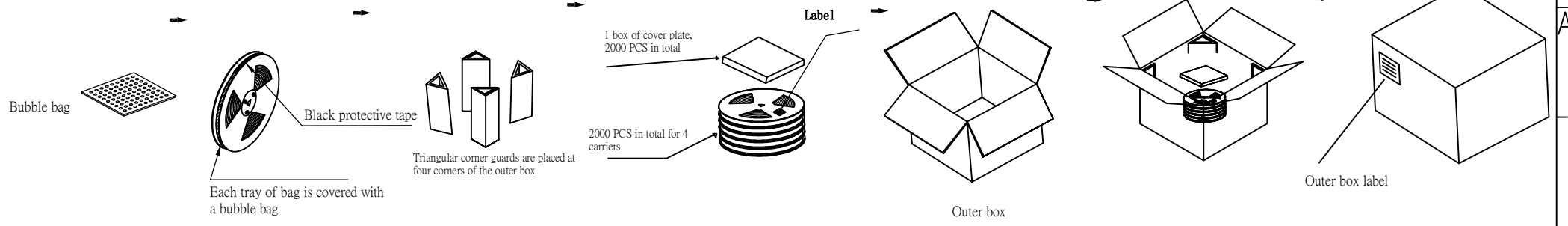
13

14

15

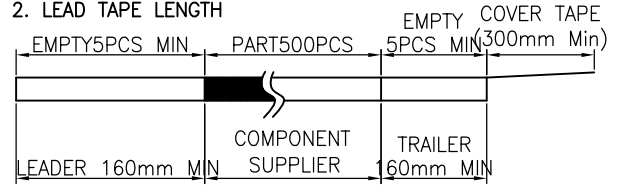
RoHS


REV.	EC#	DESCRIPTION	DATE	DRAWING	CHECKED	APPROVED
------	-----	-------------	------	---------	---------	----------



NOTES

- NUMBER OF CONNECTORS: 500PCS/REEL
- LEAD TAPE LENGTH
- QUANTITY: 2000PCS/CARTON



MILLIMETERS	INCH	UNITS	 慈溪市卡连电子有限公司 CIXI CARDCONN ELECTRONIC CO., LTD						
X° ± 2'	X° ±	MM							
.X ± 0.30	.XX ±	MAT'L	PART NUMBER: SCCZ0YZ5400Y						
.XX ± 0.20	.XXX ±	SEE NOTES							
.XXX ± 0.10	.XXXX ±	FINISH	APPD:						
THESE DRAWINGS AND SPECIFICATIONS ARE THE PROPERTY OF CIXI CARDCONN ELECTRONIC CO.,LTD COPIED OR USED IN ANY MANNER WITHOUT THE PRIOR WRITTEN CONSENT OF CIXI CARDCONN ELECTRONIC CO.,LTD			DR:						
QTY	SEE NOTES	CHKD:	DWG NO.: SCC-Z0YZ5400Y						
			<table border="1"> <tr> <td>SCALE</td> <td>SHEET</td> <td>REV.</td> </tr> <tr> <td>1:1</td> <td>3/3</td> <td>A0</td> </tr> </table>	SCALE	SHEET	REV.	1:1	3/3	A0
SCALE	SHEET	REV.							
1:1	3/3	A0							