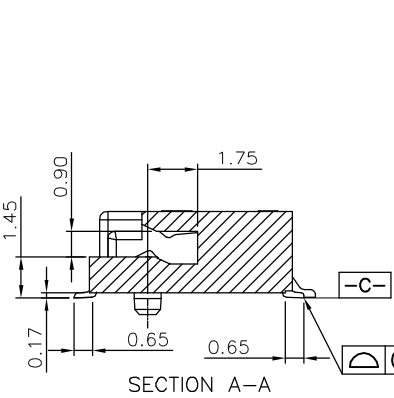
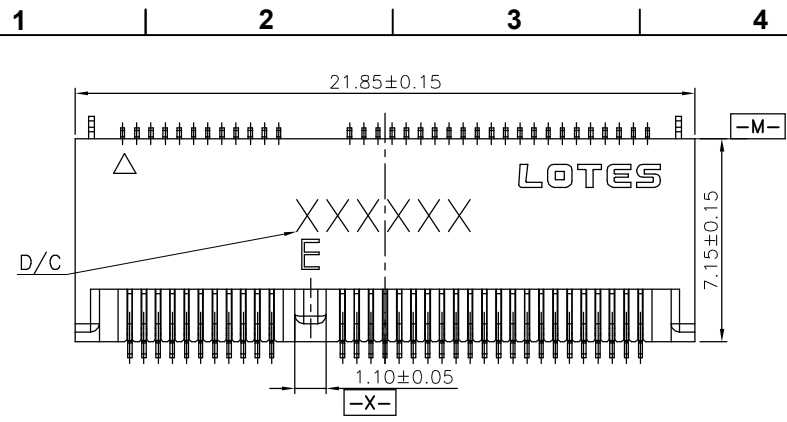
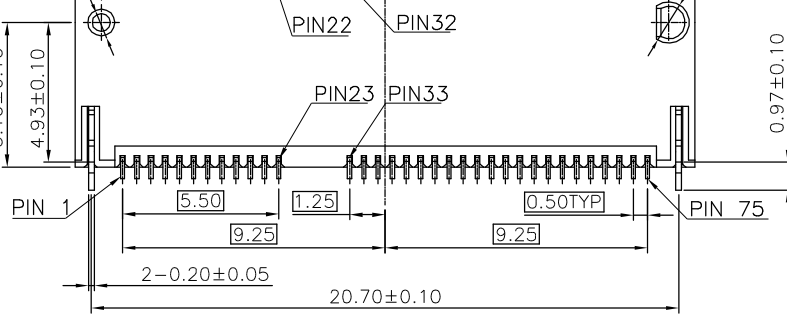
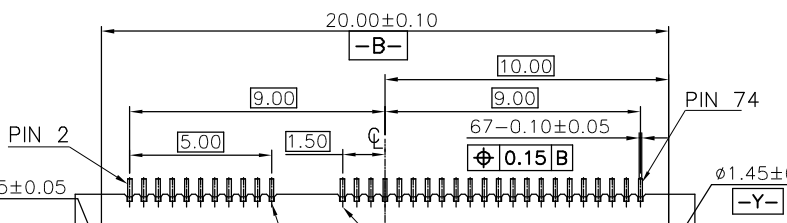
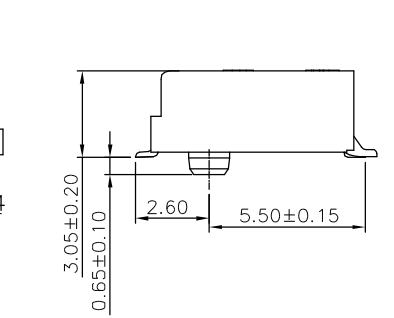
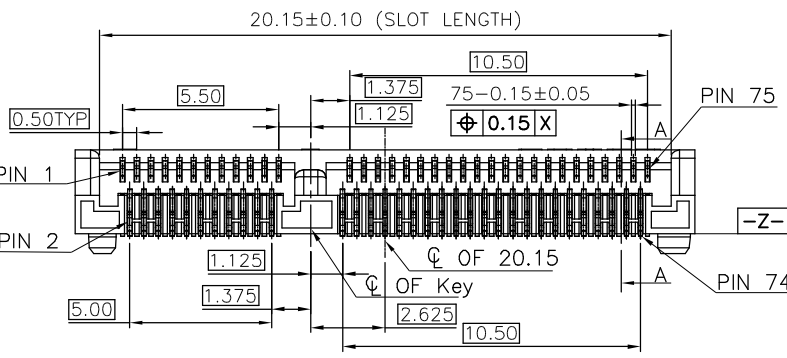


REV.	ECR/N NO./DESCRIPTION	DATE	DRAWN	CHECKED	APPROVE
1	SN22026	07/11'22	Nan.Zhou	Vito	Herch



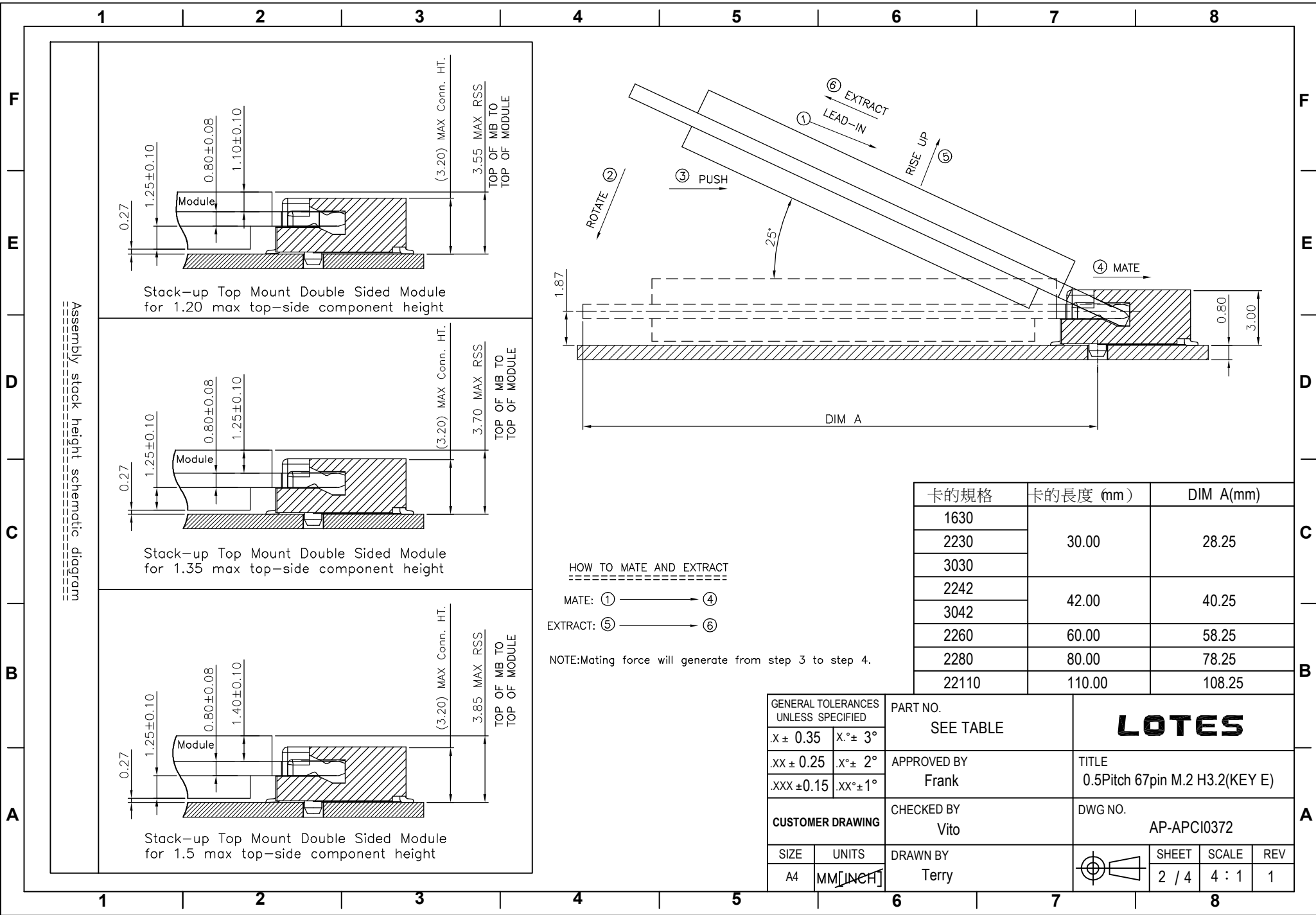
- NOTES:
- MATERIAL SPECIFICATION:
 - 1-1. HOUSING: LCP, UL94V-0, COLOR: BLACK.
 - 1-2. CONTACT: COPPER ALLOY.
 - 1-3. SMT TAB: S50C.
 - PLATING SPECIFICATION:
 - 2-1. CONTACT:
 - 50u" MIN. NICKEL UNDER PLATING OVER ALL.
 - G/F PLATING ON SOLDER AREA.
 - GOLD PLATING ON CONTACT AREA: SEE TABLE
 - 2-2. SMT TAB:
 - 50u" MIN. NICKEL UNDER PLATING OVER ALL.
 - 80u" MIN. MATTE TIN PLATING ON SOLDER AREA.
 - HF COMPLIANT, ROHS COMPLIANT.
 - DATE CODE: XXXXXX
 - DAY
 - WEEK
 - YEAR
 - MECHANICAL PERFORMANCE:
 - 5-1. DURABILITY: SEE TABLE
 - ELECTRICAL PERFORMANCE:
 - 6-1. CURRENT: 0.5A PER PIN.
 - 6-2. LLCR: INITIAL 55mΩ MAX. ; FINAL ΔLLCR=20mΩ MAX.
 - IR REFLOW:
 - THE TEMPERATURE SHALL BE 260±5°C MAINTAINING 10±1 SECONDS.
 - PRODUCT NUMBER NOTE

A	P	C	I	X	X	X	X	X	X	X	X	X	X
											PACKING TYPE		
											PRODUCT SERIAL NUMBER		
											K:ROHS COMPLIANT/P:HF COMPLIANT		
											TYPE SERIAL NUMBER		
											PRODUCT TYPE		
											FINISHED PRODUCT		



PART NO.	CONTACT PLATING	DURABILITY
APCI0372-P014A	30u" MIN. GOLD	60 CYCLES.
APCI0372-P005A	1~3u" MIN. GOLD	25 CYCLES.
APCI0372-P011A	10u" MIN. GOLD	25 CYCLES.

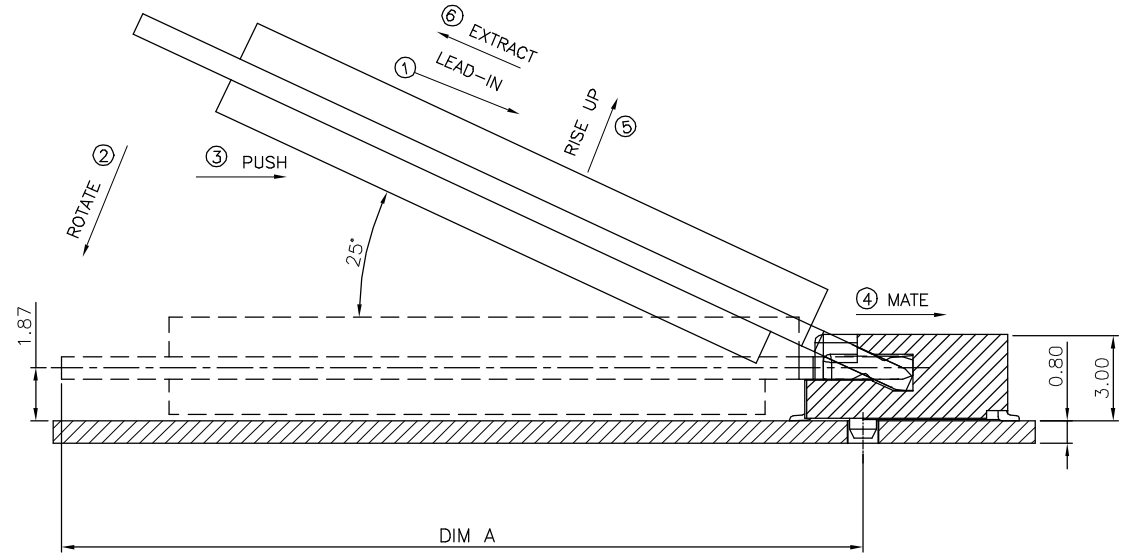
GENERAL TOLERANCES UNLESS SPECIFIED		PART NO. SEE TABLE	LOTES			
X ± 0.35	X.° ± 3°					
XX ± 0.25	X.° ± 2°	APPROVED BY Frank	TITLE 0.5Pitch 67pin M.2 H3.2(KEY E)			
XXX ± 0.15	XX.° ± 1°	CHECKED BY Vito	DWG NO. AP-APCI0372			
CUSTOMER DRAWING		DRAWN BY Terry	SHEET 1 / 4	SCALE 4 : 1	REV 1	
SIZE A4	UNITS MM [INCH]					



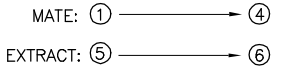
Stack-up Top Mount Double Sided Module for 1.20 max top-side component height

Stack-up Top Mount Double Sided Module for 1.35 max top-side component height

Stack-up Top Mount Double Sided Module for 1.5 max top-side component height



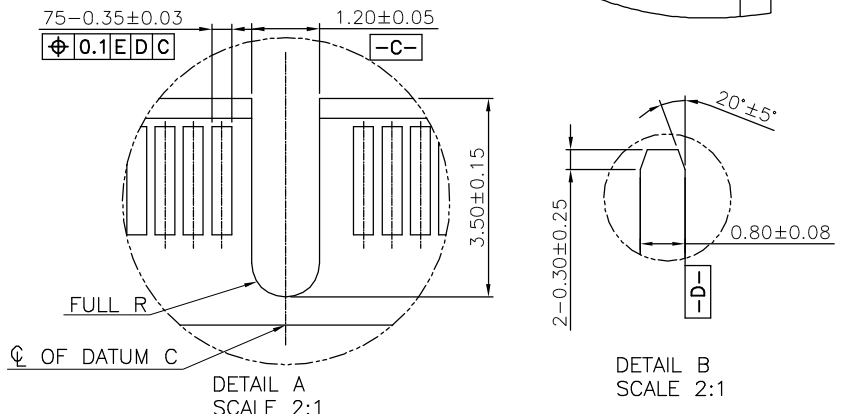
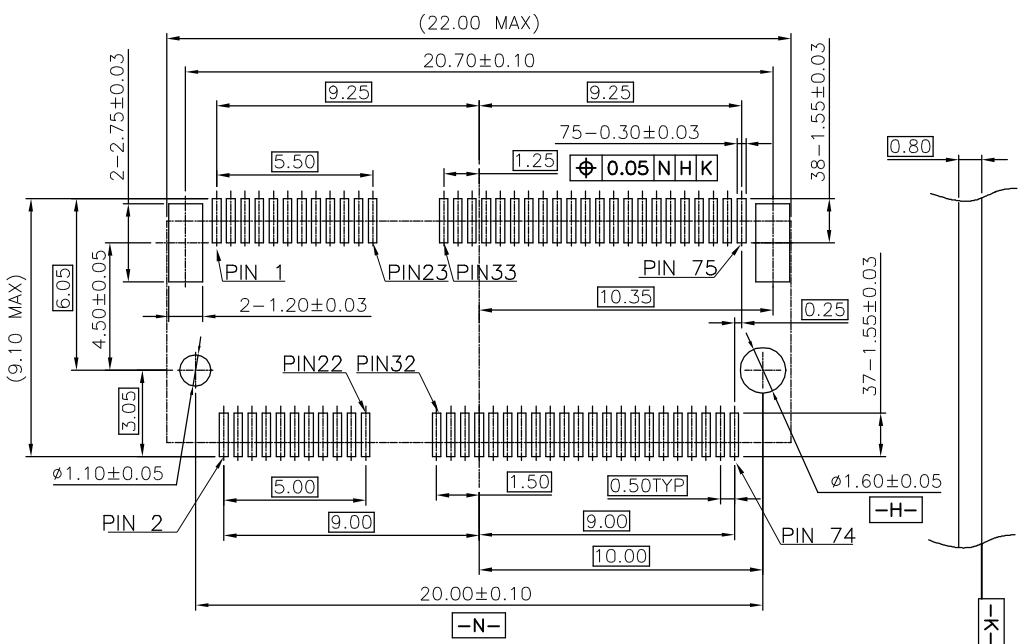
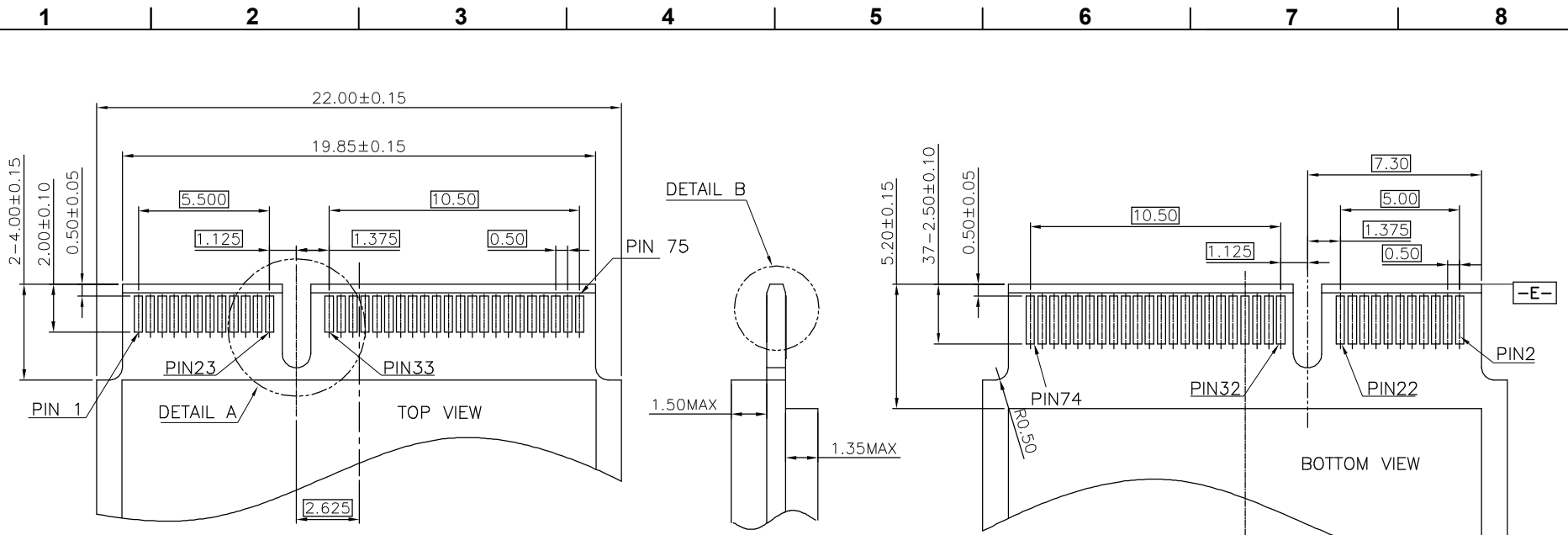
HOW TO MATE AND EXTRACT



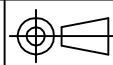
NOTE: Mating force will generate from step 3 to step 4.

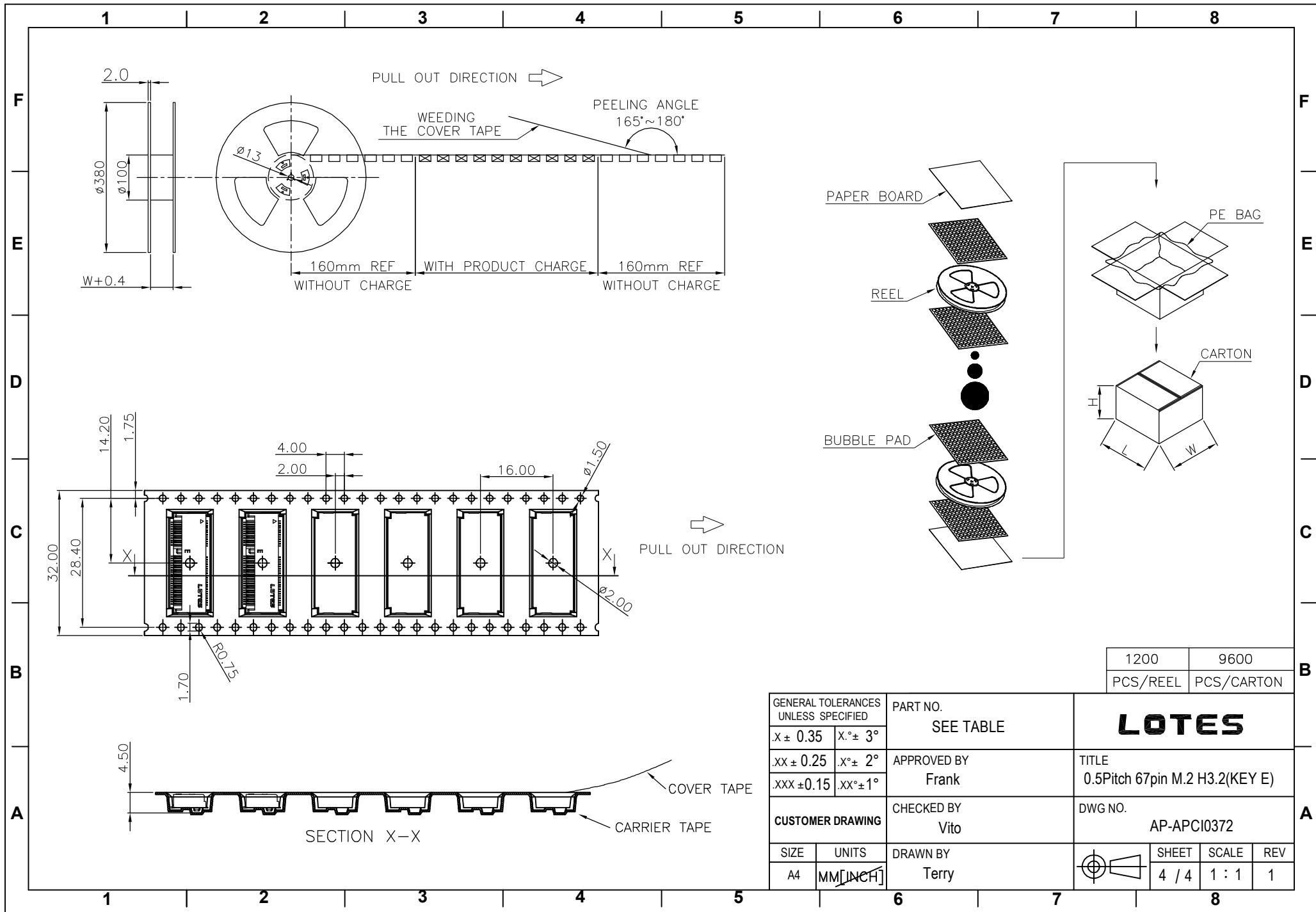
卡的規格	卡的長度 (mm)	DIM A(mm)
1630	30.00	28.25
2230		
3030		
2242	42.00	40.25
3042		
2260	60.00	58.25
2280	80.00	78.25
22110	110.00	108.25

GENERAL TOLERANCES UNLESS SPECIFIED		PART NO. SEE TABLE	LOTES		
X ± 0.35	X° ± 3°				
.XX ± 0.25	.X° ± 2°	APPROVED BY Frank	TITLE 0.5Pitch 67pin M.2 H3.2(KEY E)		
.XXX ± 0.15	.XX° ± 1°	CHECKED BY Vito	DWG NO. AP-APCI0372		
SIZE A4	UNITS MM [INCH]	DRAWN BY Terry	SHEET 2 / 4	SCALE 4 : 1	REV 1



RECOMMENDED PCB LAYOUT(TOP VIEW)
 DEFAULT TOLERANCE ±0.05MM

GENERAL TOLERANCES UNLESS SPECIFIED		PART NO. SEE TABLE	LOTES			
X ± 0.35	X° ± 3°					
XX ± 0.25	X° ± 2°	APPROVED BY Frank	TITLE 0.5Pitch 67pin M.2 H3.2(KEY E)			
XXX ± 0.15	.XX° ± 1°	CHECKED BY Vito	DWG NO. AP-APCI0372			
CUSTOMER DRAWING		DRAWN BY Terry		SHEET 3 / 4	SCALE 4 : 1	REV 1
SIZE A4	UNITS MM [INCH]					



1200	9600
PCS/REEL	PCS/CARTON

GENERAL TOLERANCES UNLESS SPECIFIED		PART NO. SEE TABLE	LOTES			
X ± 0.35	X° ± 3°					
XX ± 0.25	X° ± 2°		APPROVED BY Frank	TITLE 0.5Pitch 67pin M.2 H3.2(KEY E)		
XXX ± 0.15	.XX° ± 1°	CHECKED BY Vito	DWG NO. AP-APCI0372			
SIZE	UNITS	DRAWN BY Terry		SHEET	SCALE	REV
A4	MM [INCH]			4 / 4	1 : 1	1