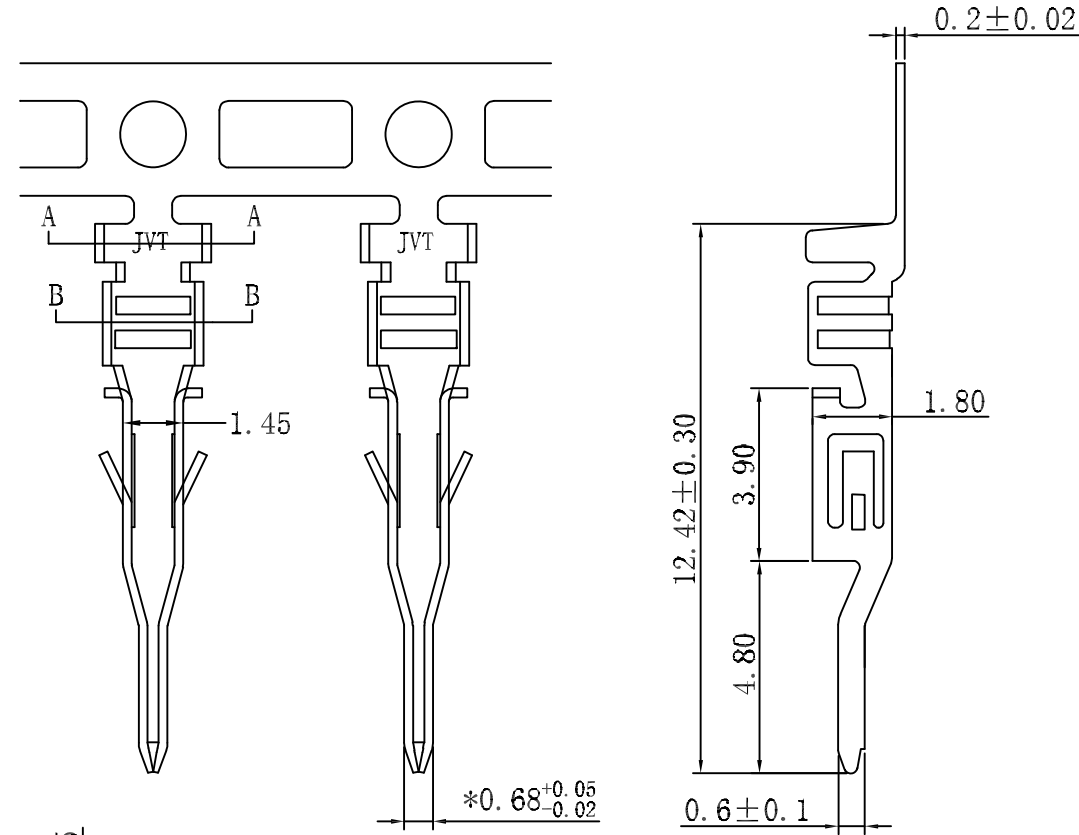


REV.	LOCAS.	DESCRIPTION	DATE	DRAWN
A	NEW	INTERIM INITIAL RELEASE.	2022.01.13	罗嘉乐

F
E
D
C
B
A

F
E
D
C
B
A



Specifications
 Material: Phosphor Bronze
 Finish: Tin/Gold-plated
 Thickness: 0.20mm
 Wire Range: 20AWG-24AWG
 O'D: 1.60mm MAX
 Q'ty: 10,000pcs/reel
 Salt: 24H
 All materials must meet GREENCONN hazardous substances control standards.

SECTION: (A-A)

SECTION: (B-B)

Ordering Information

GTZ1E5 - 01 XX AB

Standard Plating
05=Gold Flash/Tin

Materials
AB=Phosphor Bronze

Website: www.greenconn.com
E-mail: sales@greenconn.com

3RD.ANG PROJ. 	GENERAL TOLERANCE	
	X.*±5.0'	X.±0.35
	.X.*±3.0'	.X±0.30
	.XX.*±2.0'	.XX±0.20
PAGE. 1/1	.XXX.*±1.0'	.XXX±0.10

DESIGNED: 罗嘉乐	DATE: 2022.01.13
CHECKED:	DATE:
APPROVED:	DATE:

DWG. NO. GTZ1E5-T1
PART NO. GTZ1E5-01 XX AB

TITLE. 3.00mm PIN
