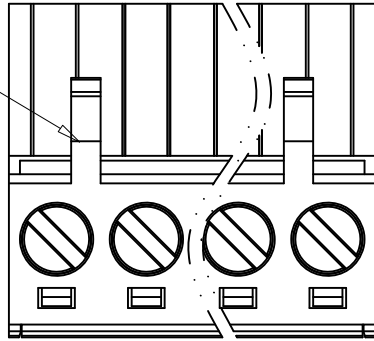


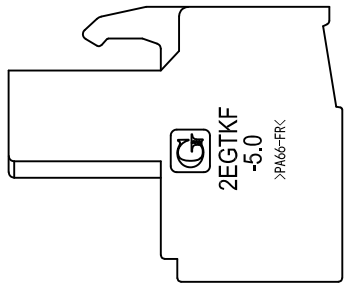
REV	CONTENT	CHK	DATE
V0.0	CONTENT	MYZ	21.06.07

02P:clasp on the left
from this view

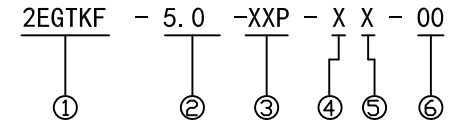
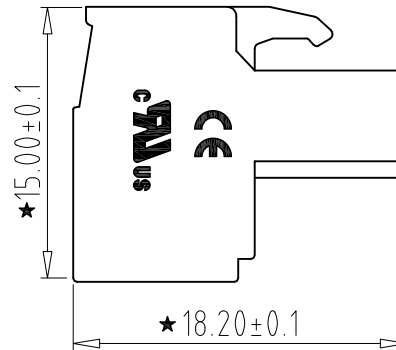
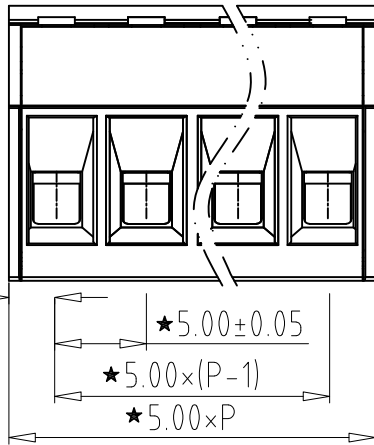


Electrical :

- | | | |
|------------------------------------------|-----------------|--------------------|
| | UL | IEC |
| 1. Rated Voltage : | 300V | 320V |
| 2. Rated Current : | 15A | 20A |
| 3. Torque Value : | M2.5 ,3.54Lb.in | M2.5, 0.4N.m |
| 4. Wire Range: | 28-12AWG | 2.5mm ² |
| 5. Stripping Length : | 7-8mm | |
| 6. Withstanding Voltage : | AC1600V/1Min. | |
| 7. Operating Temperature : | -40°C~+105°C | |
| 8. RoHS Compliance | | |
| 9. Safty Approval : | ULus CE | |
| 10. "★" is the key quality control point | | |



2.50



- ① Series NO.
- ② Pitch
- ③ Poles
 - 02 02Contacts
 - 03 03Contacts
 - ... 24 24Contacts
- ④ 1 Single Pitch
2 Double Pitch
- ⑤ Color: 1 Grey
2 Blue
3 Black
4 Green
5 Orange
6 Red
7 Transparent
8 Yellow
9 White
- ⑥ Customer Request: 00--Standard

5	SCREW	XX	P	STEEL	Zn Plated
4	BLOCK	XX	P	BRASS	Ni Plated
3	CLAMP	XX	P	PHOSPHOR BRONZE	Tin Plated
2	COVER	XX	1	PA66 UL94V-0	SEE NOTE
1	HOUSING	XX	1	PA66 UL94V-0	SEE NOTE

Total Pitch Tolerances in mm										Nominal dimension range in mm										⊥	=	-	//		
over 0	over 30	over 53	over 70	over 90	over 115	over 150	over 250	over 350	over 500	over 0	over 30	over 53	over 70	over 90	over 115	over 150	over 200	over 250	over 320	over 0	over 10	all	over 0	over 100	over 150
to 30	to 53	to 70	to 90	to 115	to 150	to 250	to 350	to 500		to 30	to 53	to 70	to 90	to 115	to 150	to 200	to 250	to 320		to 10			to 100	to 150	
±0.18	±0.20	±0.25	±0.3	±0.35	±0.4	±0.60	±0.70	±0.85	±0.20	±0.25	±0.30	±0.35	±0.4	±0.55	±0.70	±0.80	±0.90			0.2	0.3	0.3	0.2	0.3	0.5

ITEM	NAME OF PART	NO. OF PART	Q'TY	MATERIAL	NOTE
DWG.	MYZ	DATE	21.06.07	SIZE	A4 UNITS mm SHEET/OF 1/1
CHK.	DATE			SCALE	1:1
APP.	DATE				
			NAME 2EGTKF-5.0-XXP-XX-00		
			DWGNO. XXXX		

Grolten 宁波冠泰电子有限公司
NINGBO GOLTEN ELECTRONICS CO., LTD.