

# SPECIFICATION FOR APPROVAL



CUSTOMER : MT-Systems

CUSTOMER P/N : FIS121NL

SME P/N : MCT05-943U

EDITION : A.1

DATE : 2022.12.14

DRAWING		
MADE	CHECK	APPROVAL
Lee Jin	Sam	May

CUSTOMER APPROVE

## SHANGHAI MEISONGBEI ELECTRONICS CO.,LTD

Add: No.3891 Jinxiu Road, Pudong New District, Shanghai, China

Tel:+86-21-62883517 Fax:+86-21-62883519

Http://www.meisongbei.com

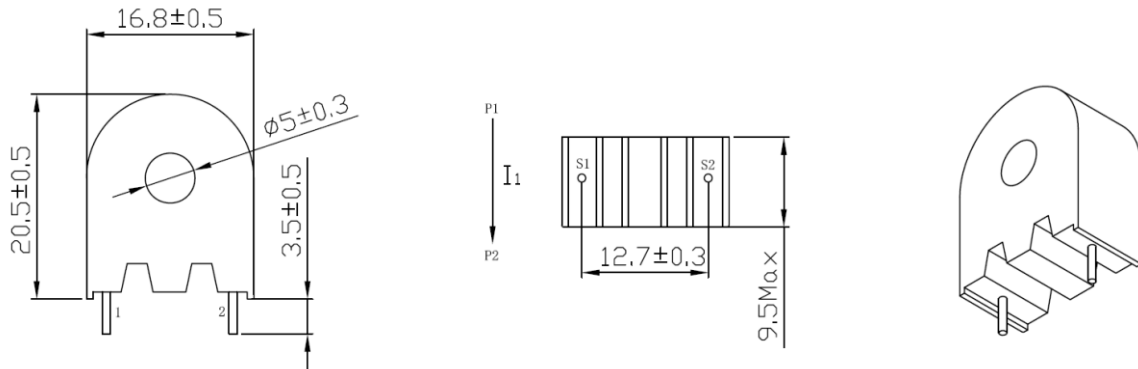
E-mail:sales@meisongbei.com

# SPECIFICATION FOR APPROVAL

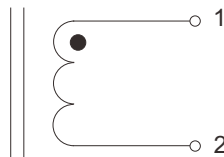
Customer: MT-Systems  
 Customer P/N: FIS121NL  
 SME P/N: MCT05-943U  
 Date: 2022.12.14



## A Dimension: Unit(mm)



## B Schematic:



## C Electrical Specifications:

Item	Terminal	Specification	Test condition
Ratio	Pri / Sec	1 : 200	
Inductance	Sec	94.5mH Min	10kHz, 0.01V
DCR	Sec	4.5Ω	25°C

## D Material List:

No.	Item	Material	Class	Manufacturer	UL No.
1	Ferrite core	KP		KANG SUN	
2	Case	PBT	150°C	CHANGCHUN PLASTICS CO.,LTD	E59481
3	Magnetic Wire	2UEW	155°C	SHANTOU SHENGANG ELECTRICAL INDUSTRIAL CO LTD	E239508
4	Epoxy	H907-H	130°C	DONG GUAN SHI PAI HUA CHUANG MATERIAL FTY	E304477

Made	Lee Jin	Checked	Sam	Approved	May
------	---------	---------	-----	----------	-----

**Shanghai Meisongbei Electronics Co.,Ltd.**

Add: No.3891 Jinxiu Road, Pudong New District, Shanghai, China Tel:+86-21-62883517 Fax:+86-21-62883519  
 Http://www.meisongbei.com