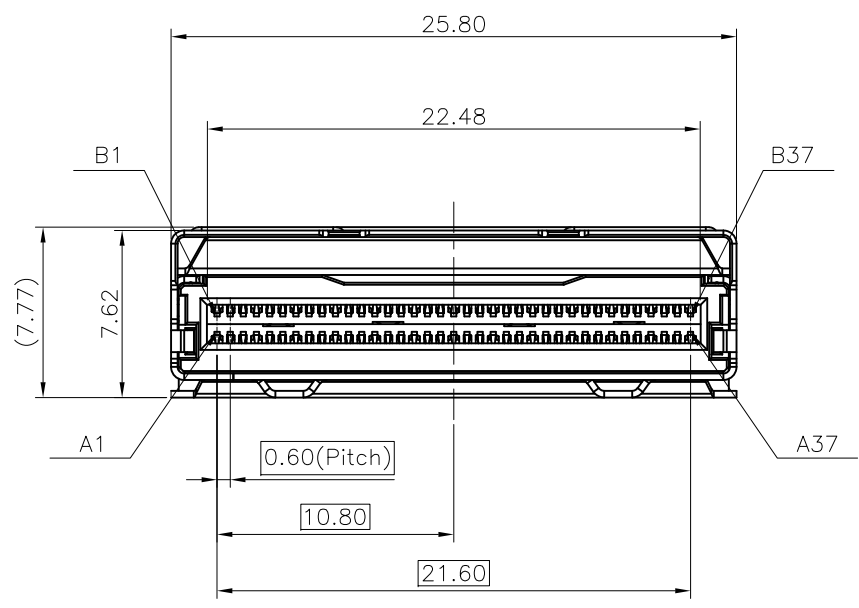


8
CUSTOMER DRAWING

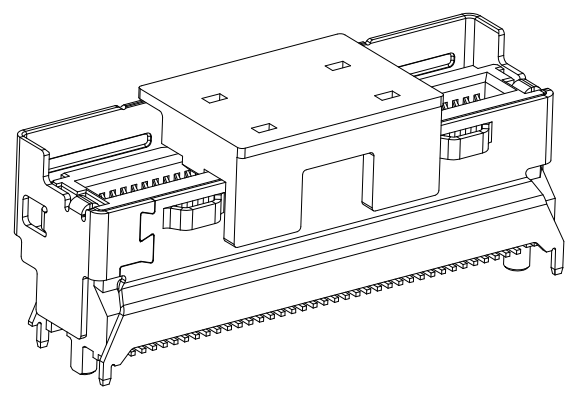
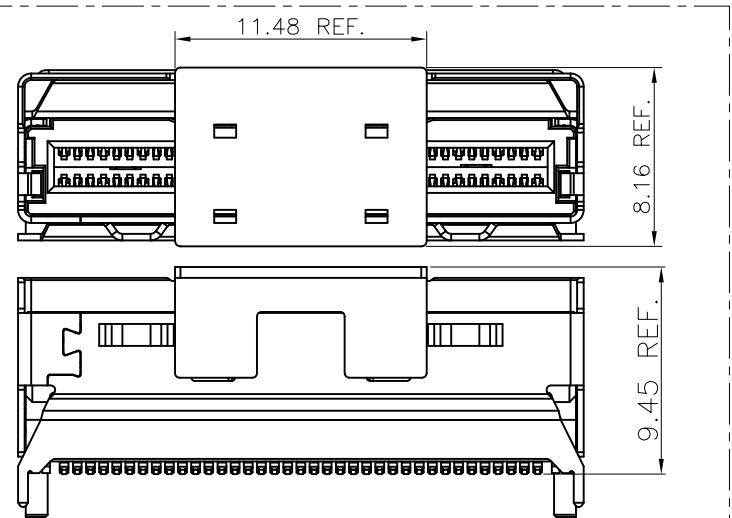
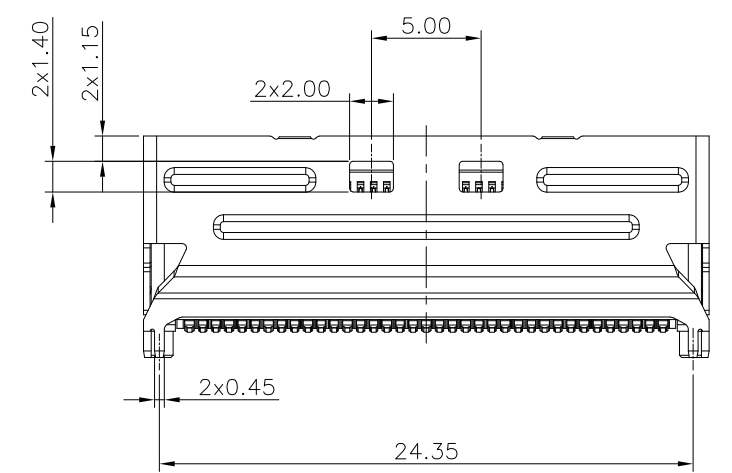
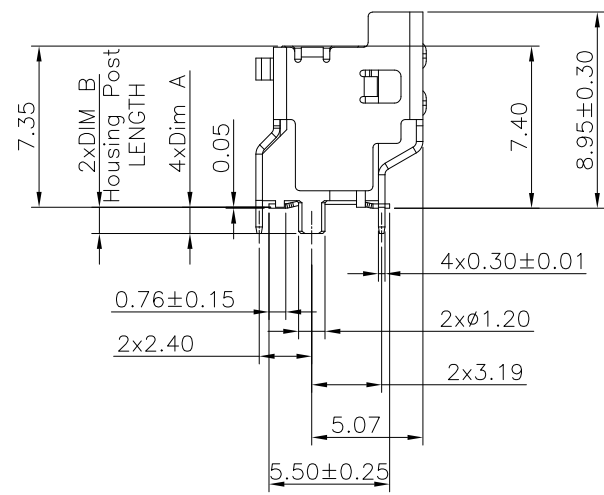
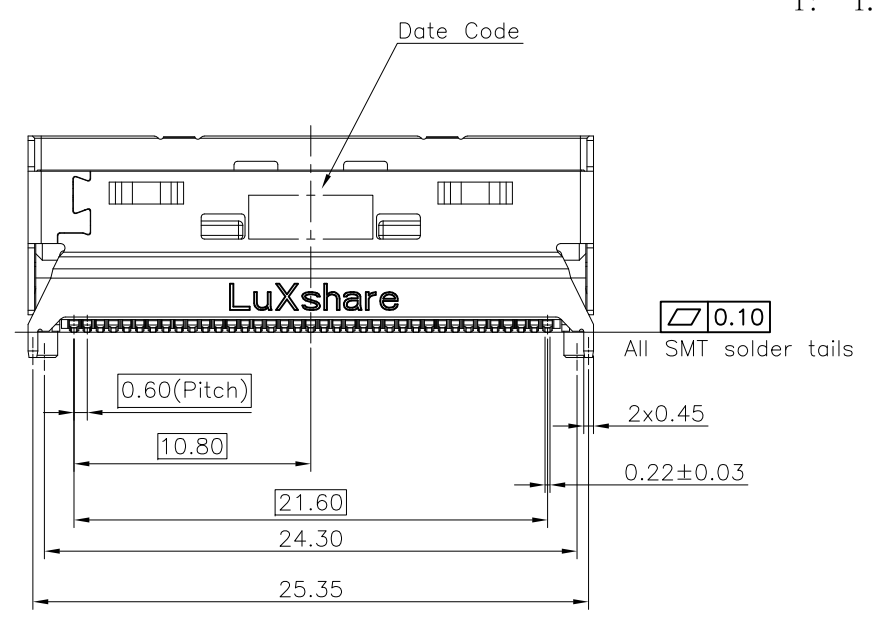
| REV. | DESCRIPTION | DESIGN | APPROVAL | DATE |
|------|-----------------|---------|-------------|------------|
| X1 | NEW DESIGN | Andi wu | Rongzhe Guo | 2021.12.29 |
| X2 | MODIFY THE LOGO | ANDI WU | Rongzhe Guo | 2022.05.28 |



NOTES:
 1.MATERIAL:
 PLASTICS: HIGH TEMPERATURE THERMOPLASTIC UL94-V0,COLOR:BLACK.
 CONTACT: COPPER ALLOY.
 SHELL: STAINLEE.
 2.FINISH:
 CONTACT: SELECTIVE GOLD PLATING OVER NICKEL ON CONTACT AREA AND MATTE TIN PLATING OVER NICKEL ON SOLDER TAIL.
 SHELL: SOLDERABLE NICKEL PLATING OVER ALL.
 3.HARMFUL MATERIAL AND PROCESS CONTROL FOLLOW DOC. NO."QW-Q-043"&RoHS 2.0+HF.
 4.DESIGNED TO CONFORM WITH SFF-TA-1016.

PMC074-3X03-X0X-1H
 Plating:
 3: 15u" GOLD
 5: 30u" GOLD
 SHELL PIN LENGTH OPTIONS (DIM. A)
 0: 1.50mm
 1: 2.20mm
 2: 3.00mm
 3: 4.20mm
 4: 1.20mm
 5: 1.85mm

HOUSING POST LENGTH (DIM. B) :
 0: 2.00mm
 1: 1.20mm



THESE DRAWINGS AND SPECIFICATIONS ARE THE PROPERTY OF LUXSHARETECH AND SHALL NOT BE REPRODUCED, COPIED OR CUED IN ANY MANNER WITHOUT THE PRIOR WRITTEN CONSENT OF LUXSHARETECH

PART NO.: PMC074-3X03-X0X-1H
 TITLE: New MCIO 74Pin VT SMT type
 APPD: Rongzhe Guo 2021.12.29
 CHKD: Xiaogang L 2021.12.29
 DRAW: Andi wu 2021.12.29

LUXSHARETECH
 CUSTOMER P/N: N/A
 DWG NO: PMC074-3X03-X0X-1H-00

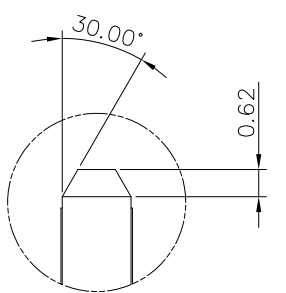
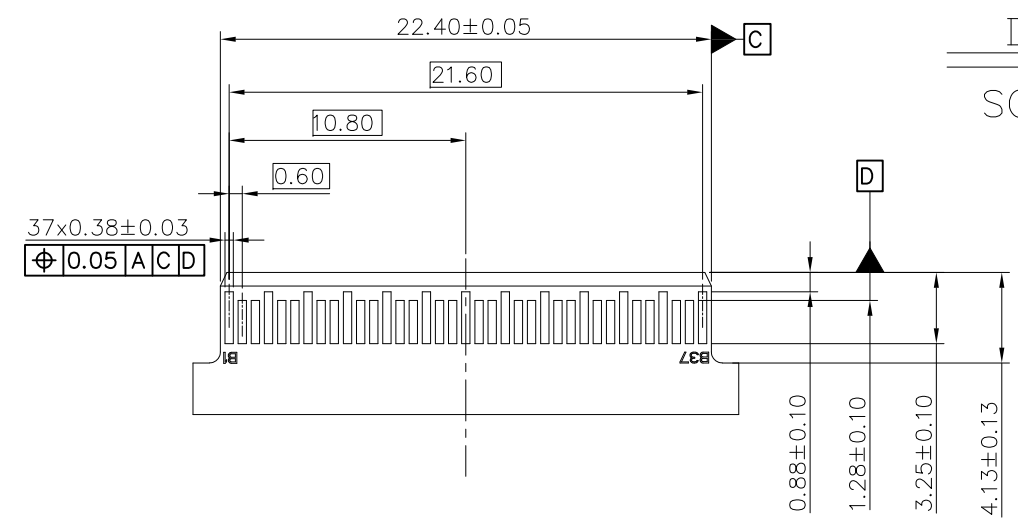
| SCALE | SHEET | REV. |
|-------|-------|------|
| 1:1 | 1/4 | X2 |

E
D
C
B
A

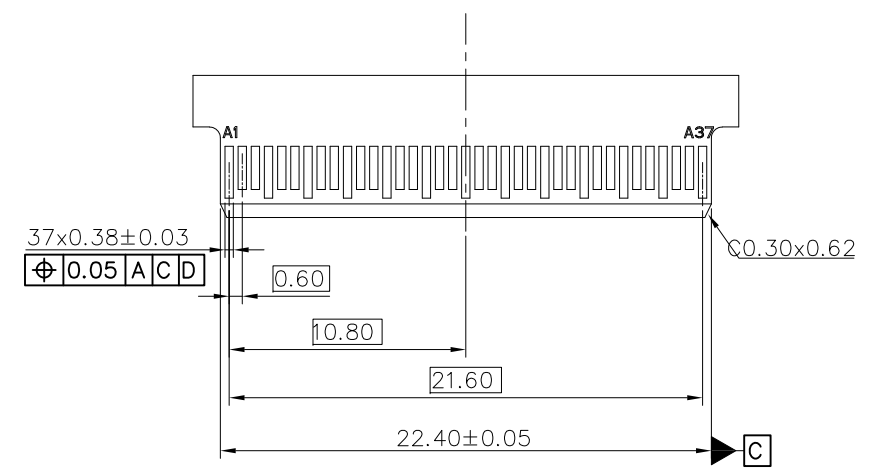
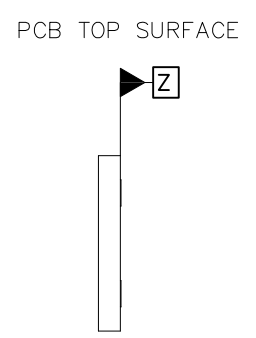
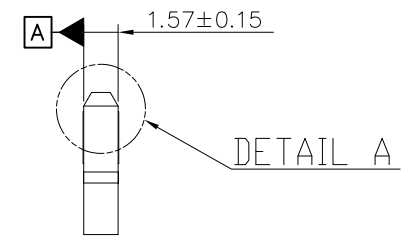
E
D
C
B
A

8
CUSTOMER DRAWING

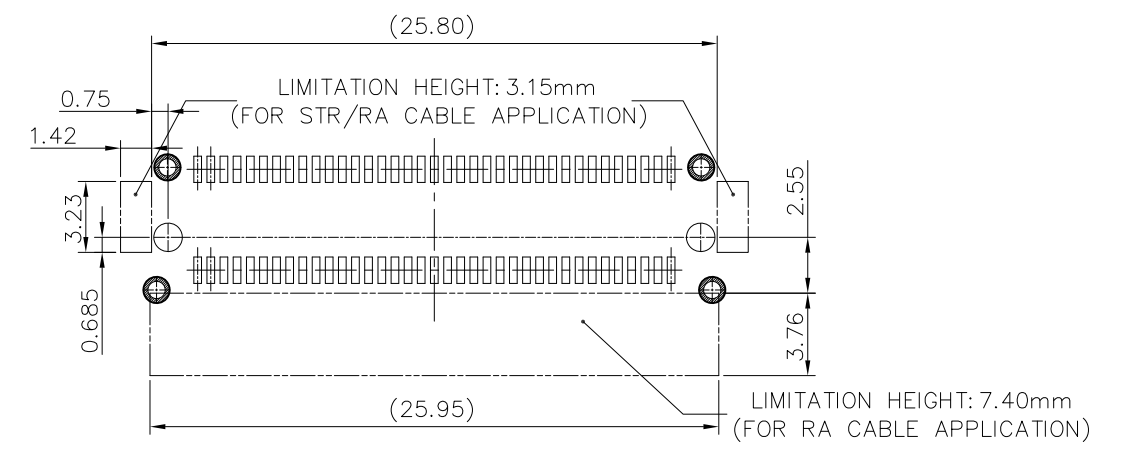
7
RECOMMENDED MATING CARD DIMENSIONS
TOLERANCE: ± 0.05



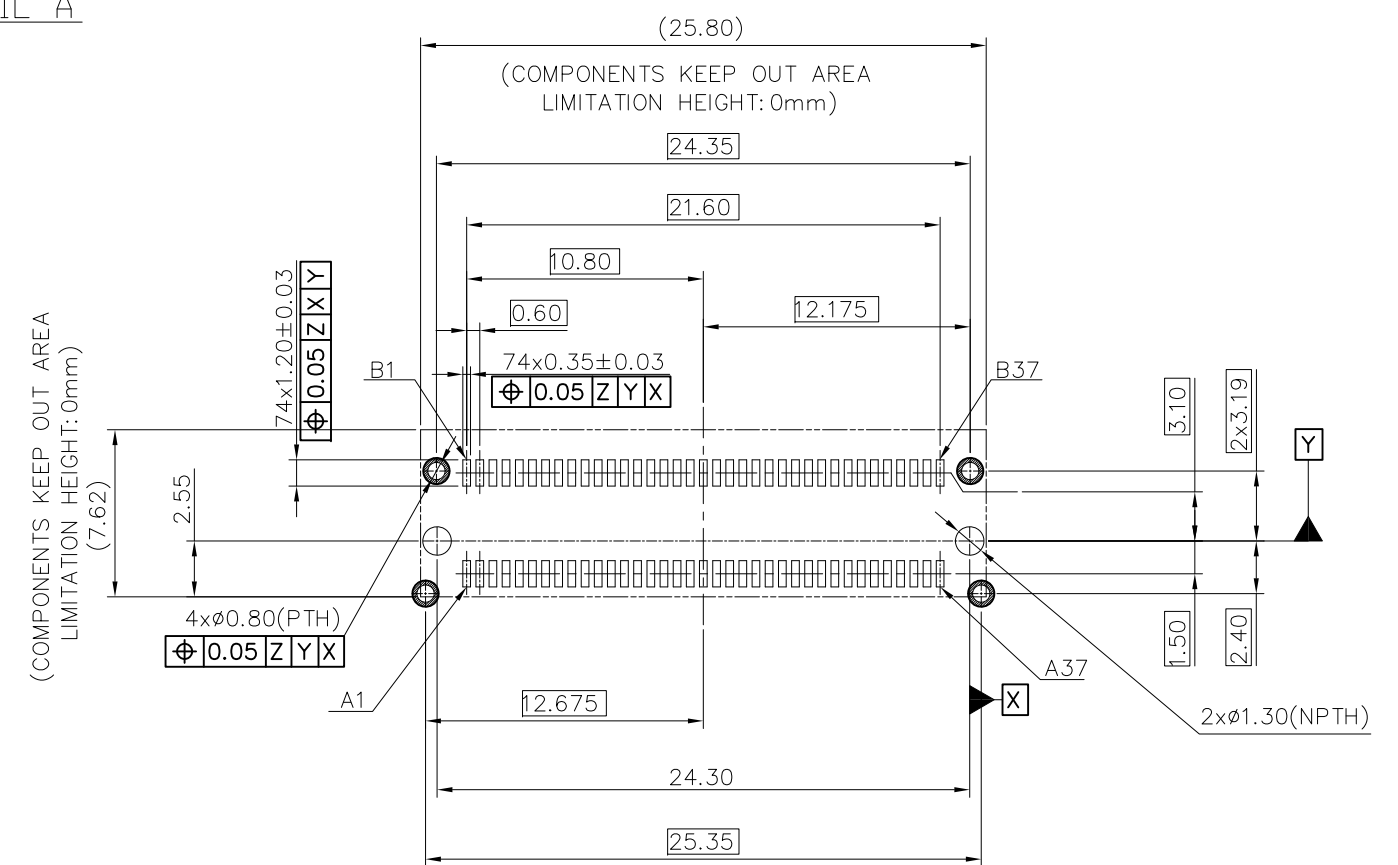
DETAIL A
SCALE 2:1



| 4 | 3 | 2 | 1 |
|------|-------------|--------|----------|
| REV. | DESCRIPTION | DESIGN | APPROVAL |
| | | | |
| | | | |



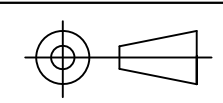
COMPONENTS KEEP OUT AREA

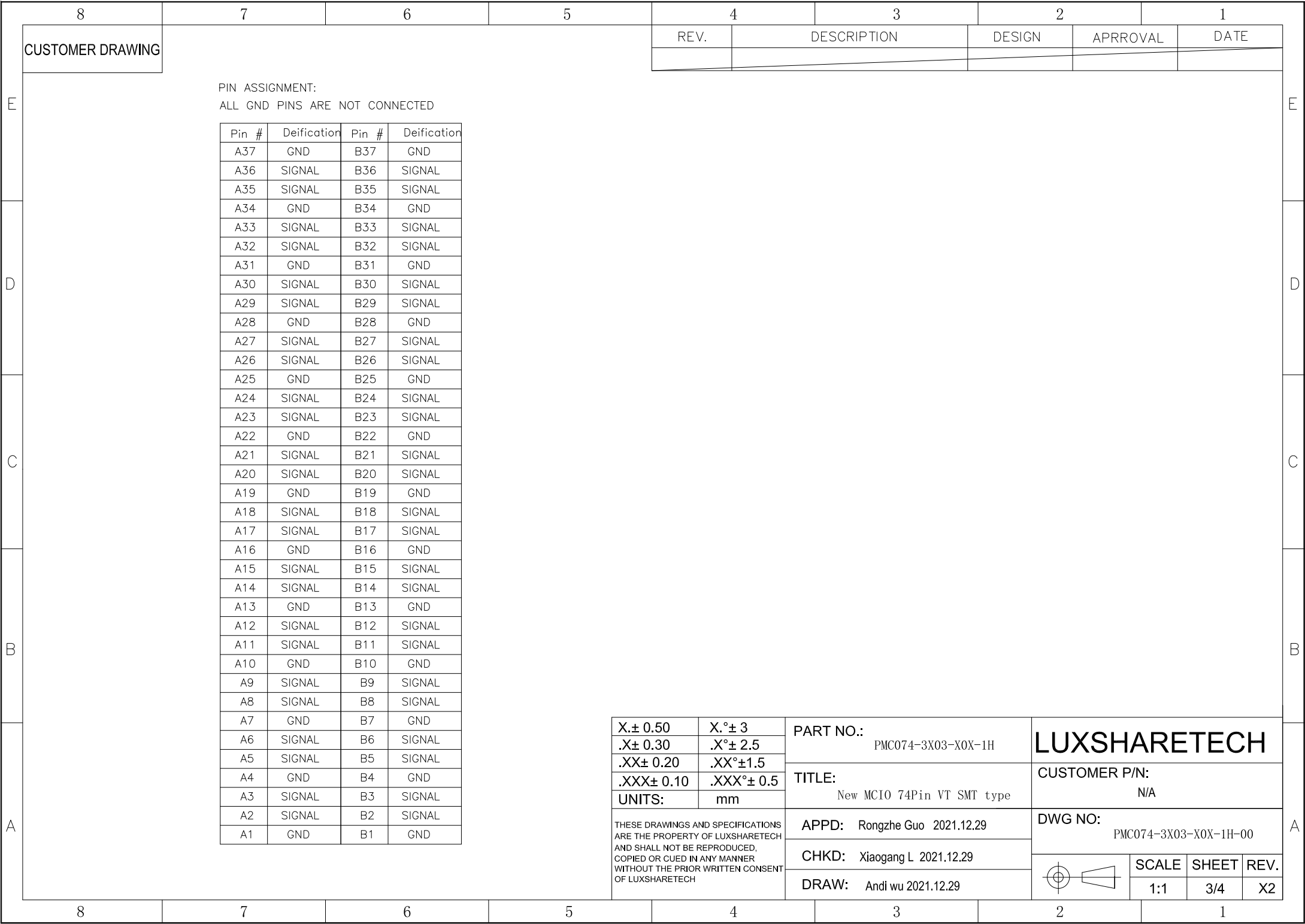


TOP View

RECOMMENDED PCB LAYOUT PCB TOLERANCE: ± 0.05

| | | | | | | |
|--|------------|---------------------------------|--------------------------------------|----------------------------------|-------|------|
| X.± 0.50 | X.°± 3 | PART NO.: PMC074-3X03-X0X-1H | LUXSHARETECH | | | |
| .X± 0.30 | .X°± 2.5 | | | | | |
| .XX± 0.20 | .XX°± 1.5 | | TITLE: New MCIO 74Pin VT SMT type | CUSTOMER P/N: N/A | | |
| .XXX± 0.10 | .XXX°± 0.5 | | APPD: Rongzhe Guo 2021.12.29 | DWG NO: PMC074-3X03-X0X-1H-00 | | |
| UNITS: mm | mm | CHKD: Xiaogang L 2021.12.29 | DRAW: Andi wu 2021.12.29 | SCALE | SHEET | REV. |
| THESE DRAWINGS AND SPECIFICATIONS ARE THE PROPERTY OF LUXSHARETECH AND SHALL NOT BE REPRODUCED, COPIED OR CUED IN ANY MANNER WITHOUT THE PRIOR WRITTEN CONSENT OF LUXSHARETECH | | DRAW: Andi wu 2021.12.29 | | 1:1 | 2/4 | X2 |





| | | | | |
|------|-------------|--------|----------|------|
| REV. | DESCRIPTION | DESIGN | APPROVAL | DATE |
| | | | | |

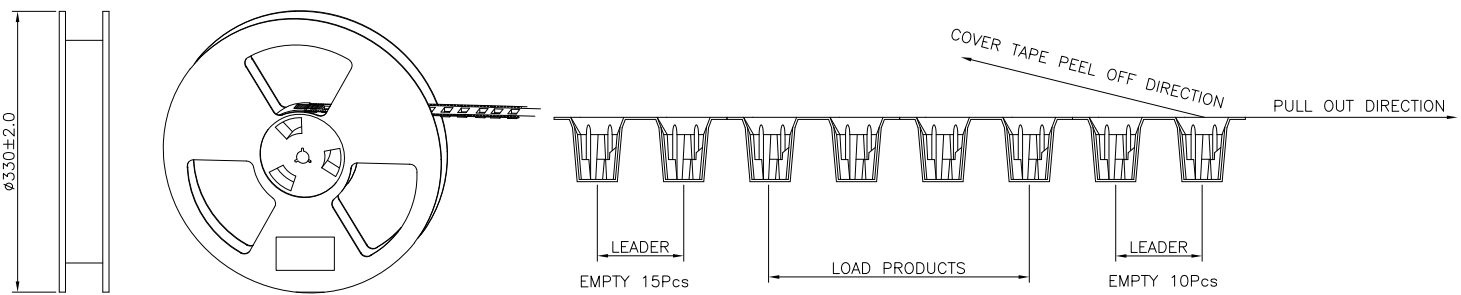
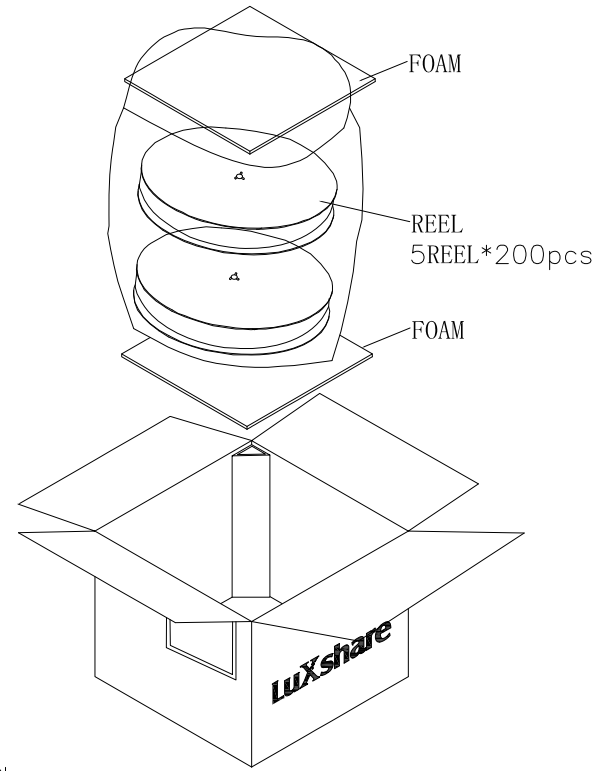
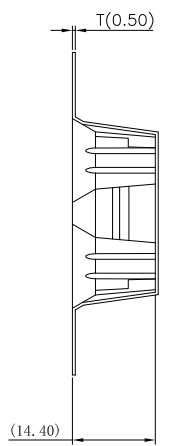
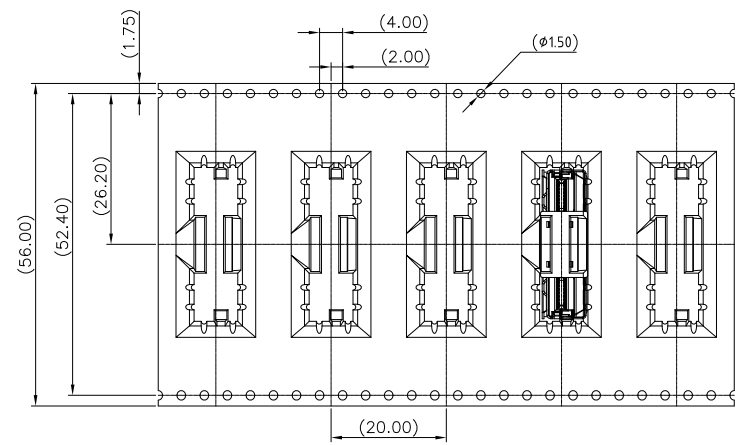
PIN ASSIGNMENT:
ALL GND PINS ARE NOT CONNECTED

| Pin # | Deification | Pin # | Deification |
|-------|-------------|-------|-------------|
| A37 | GND | B37 | GND |
| A36 | SIGNAL | B36 | SIGNAL |
| A35 | SIGNAL | B35 | SIGNAL |
| A34 | GND | B34 | GND |
| A33 | SIGNAL | B33 | SIGNAL |
| A32 | SIGNAL | B32 | SIGNAL |
| A31 | GND | B31 | GND |
| A30 | SIGNAL | B30 | SIGNAL |
| A29 | SIGNAL | B29 | SIGNAL |
| A28 | GND | B28 | GND |
| A27 | SIGNAL | B27 | SIGNAL |
| A26 | SIGNAL | B26 | SIGNAL |
| A25 | GND | B25 | GND |
| A24 | SIGNAL | B24 | SIGNAL |
| A23 | SIGNAL | B23 | SIGNAL |
| A22 | GND | B22 | GND |
| A21 | SIGNAL | B21 | SIGNAL |
| A20 | SIGNAL | B20 | SIGNAL |
| A19 | GND | B19 | GND |
| A18 | SIGNAL | B18 | SIGNAL |
| A17 | SIGNAL | B17 | SIGNAL |
| A16 | GND | B16 | GND |
| A15 | SIGNAL | B15 | SIGNAL |
| A14 | SIGNAL | B14 | SIGNAL |
| A13 | GND | B13 | GND |
| A12 | SIGNAL | B12 | SIGNAL |
| A11 | SIGNAL | B11 | SIGNAL |
| A10 | GND | B10 | GND |
| A9 | SIGNAL | B9 | SIGNAL |
| A8 | SIGNAL | B8 | SIGNAL |
| A7 | GND | B7 | GND |
| A6 | SIGNAL | B6 | SIGNAL |
| A5 | SIGNAL | B5 | SIGNAL |
| A4 | GND | B4 | GND |
| A3 | SIGNAL | B3 | SIGNAL |
| A2 | SIGNAL | B2 | SIGNAL |
| A1 | GND | B1 | GND |

| | | | | | | |
|--|------------|--------------------------------------|----------------------------------|-------|-------|------|
| X.± 0.50 | X.°± 3 | PART NO.: PMC074-3X03-X0X-1H | LUXSHARETECH | | | |
| .X± 0.30 | .X°± 2.5 | | | | | |
| .XX± 0.20 | .XX°± 1.5 | TITLE: New MCIO 74Pin VT SMT type | CUSTOMER P/N: N/A | | | |
| .XXX± 0.10 | .XXX°± 0.5 | | | | | |
| UNITS: | mm | APPD: Rongzhe Guo 2021.12.29 | DWG NO: PMC074-3X03-X0X-1H-00 | | | |
| THESE DRAWINGS AND SPECIFICATIONS ARE THE PROPERTY OF LUXSHARETECH AND SHALL NOT BE REPRODUCED, COPIED OR CUED IN ANY MANNER WITHOUT THE PRIOR WRITTEN CONSENT OF LUXSHARETECH | | CHKD: Xiaogang L 2021.12.29 | | SCALE | SHEET | REV. |
| | | DRAW: Andi wu 2021.12.29 | | 1:1 | 3/4 | X2 |

CUSTOMER DRAWING

| | | | | |
|------|-------------|--------|----------|------|
| REV. | DESCRIPTION | DESIGN | APPROVAL | DATE |
| | | | | |



NOTE 2:
 1. CARTON SIZE 340L X 340W X 325H
 2. PREFER TO AMTA LABELING STANDARD.
 3. CARTON CLOSURES MUST BE SEALED WITH TAPE.
 4. 1000PCS/CARTON.

NOTE 1 :
 1. MATERIAL:
 CARRIER TAPE: POLYSTYRENE, BLACK
 COVER TAPE: TRANSPARENT POLYSTYRENE
 REEL: POLYSTYRENE, Blue.
 2. ALL TAPE AND REEL SPECIFICATION FOLLOW EIA-481 STANDARD.
 3. THIS PRODUCT DOESN'T CONTAIN ENVIRONMENTAL HAZRDOUS PER DIRECTIVE 2002/95/EC FOR RoHS.

| | | | | | | |
|--|------------|--------------------------------------|------------------------------|----------------------------------|--------------|------------|
| X.± 0.50 | X.°± 3 | PART NO.: PMC074-3X03-X0X-1H | LUXSHARETECH | | | |
| .X± 0.30 | .X°± 2.5 | | | | | |
| .XX± 0.20 | .XX°± 1.5 | TITLE: New MCIO 74Pin VT SMT type | CUSTOMER P/N: N/A | | | |
| .XXX± 0.10 | .XXX°± 0.5 | | APPD: Rongzhe Guo 2021.12.29 | DWG NO: PMC074-3X03-X0X-1H-00 | | |
| UNITS: | mm | CHKD: Xiaogang L 2021.12.29 | DRAW: Andi wu 2021.12.29 | SCALE 1:1 | SHEET 4/4 | REV. X2 |
| THESE DRAWINGS AND SPECIFICATIONS ARE THE PROPERTY OF LUXSHARETECH AND SHALL NOT BE REPRODUCED, COPIED OR CUED IN ANY MANNER WITHOUT THE PRIOR WRITTEN CONSENT OF LUXSHARETECH | | | | | | |

