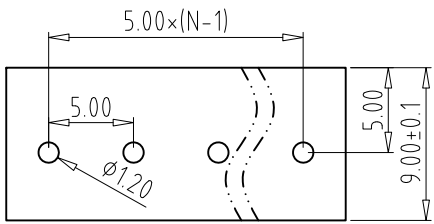
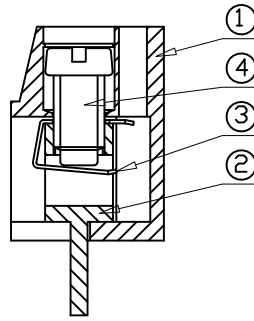
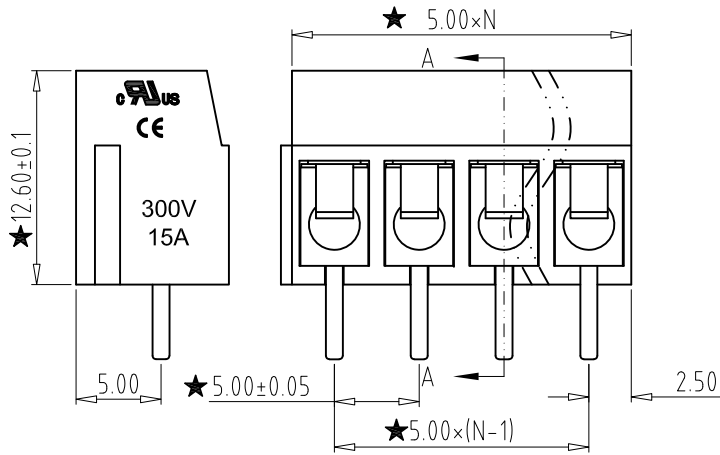
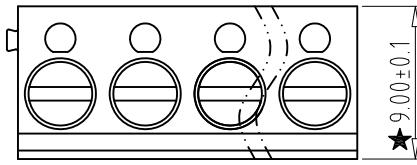


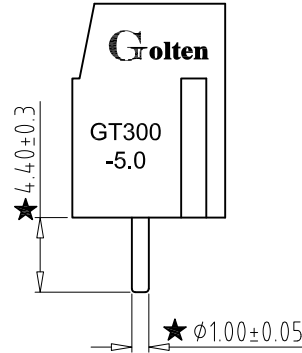
REV	CONTENT	CHK	DATE
V0.0	CONTENT	MYZ	21.06.29



PCB LAYOUT

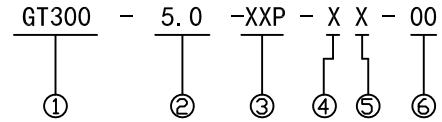


SECTION A-A



Electrical :

- |   |                |                    |
|---|----------------|--------------------|
|   | UL             | IEC                |
| 1. Rated Voltage :                        | 300V           | 250V               |
| 2. Rated Current :                        | 10A            | 15A                |
| 3. Torque Value :                         | M3 , 4.43Lb.in | M3 , 0.5N.m        |
| 4. Wire Range :                           | 22-14AWG       | 2.5mm <sup>2</sup> |
| 5. Stripping Length :                     | 5-6mm          |                    |
| 6. Withstanding Voltage :                 | AC2000V/1Min.  |                    |
| 7. Operating Temperature :                | -30°C~+120°C   |                    |
| 8. RoHS Compliance                        |                |                    |
| 9. Safty Approval :                       | RoHS CE        |                    |
| 10. ★ " is the key quality control point. |                |                    |



- ① Series NO.      ④ 1 Single Pitch  
                                2 Double Pitch
- ② Pitch                      ⑤ Color: 1 Grey  
  2 Blue  
  3 Black  
  4 Green  
  5 Orange  
  6 Red  
  7 Transparent  
  8 Yellow  
  9 White
- ③ Poles  
02 02Contacts  
03 03Contacts  
...  
24 24Contacts
- ⑥ Customer Request: 00--Standard

4	SCREW	XX	N	STEEL	Zn Plated
3	SHRAPNEL	XX	N	STAINLESS STEEL	--
2	PIN	XX	N	BRASS	Tin Plated
1	HOUSING	XX	1	PBT UL94V-0	SEE NOTE
ITEM	NAME OF PART	NO. OF PART	Q'TY	MATERIAL	NOTE
DWG.	MYZ	DATE	21.06.29	SIZE	A4 UNITS mm SHEET/OF 1/1
CHK.		DATE		SCALE	1:1
APP.		DATE		NAME	GT300-5.0-XXP-XX-00
				DWGNO.	XXXX

**Golten** 宁波冠泰电子有限公司  
NINGBO GOLTEN ELECTRONICS CO., LTD.

Total Pitch Tolerances in mm										Nominal dimension range in mm										⊥	≡	-	//								
over 0	over 30	over 53	over 70	over 90	over 115	over 150	over 250	over 350	over 500	over 0	over 30	over 53	over 70	over 90	over 115	over 150	over 200	over 250	over 320	0	over 10	over 100	over 150	0.2	0.3	0.3	0.2	0.3	0.5		
±0.18	±0.20	±0.25	±0.3	±0.35	±0.44	±0.60	±0.70	±0.85	±1.20	±0.20	±0.25	±0.30	±0.35	±0.44	±0.55	±0.70	±0.80	±0.90	±1.20	0.2	0.3	0.3	0.2	0.3	0.5						