

700mA Adjustable Voltage High Speed LDO Regulators MET1117 Series

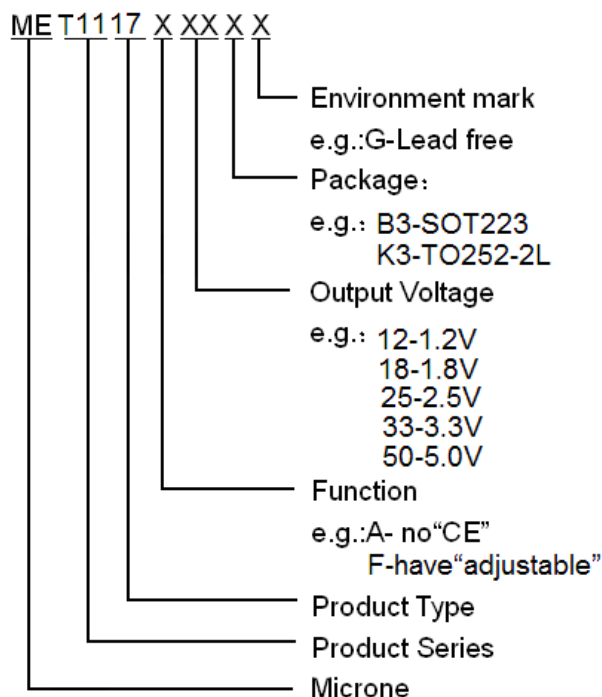
General Description

The MET1117 series are highly accurate, low noise, LDO Voltage Regulators that are capable of providing an output current that is in excess of 700mA with a maximum dropout voltage of 1.5 V at 700mA. This series contains six fixed output voltages of 1.2 V, 1.8 V, 2.5 V, 3.3 V, and 5.0 V that have no minimum load requirement to maintain regulation. Also included is an adjustable output version that can be programmed from 1.25 V to 20 V with two external resistors. On chip trimming adjusts the reference/output voltage to within $\pm 2.0\%$ accuracy. Internal protection features consist of output current limiting, safe operating area compensation, and thermal shutdown. The MET1117 series can operate with up to 20 V input. Devices are available in SOT223, TO252-2L.

Features

- Output Current in Excess of 700mA
- Dropout Voltage: 1.08V @ $I_{OUT} = 100\text{mA}$
- Operating Voltage Range:
4.8V~20V (MET1117A33)
- Highly Accuracy: $\pm 2\%$
- Adjustable Output Voltage Option
- Standby Current: 3.5mA (TPY.)
- High Ripple Rejection: 60dB@1KHz (MET1117A33)
- Line Regulation: 2mV (TYP.)
- Temperature Stability $\leq 0.5\%$
- Current Limit (850mA)
- Thermal Shutdown Protection (160°C)
- Small Packages: SOT223、TO252-2L

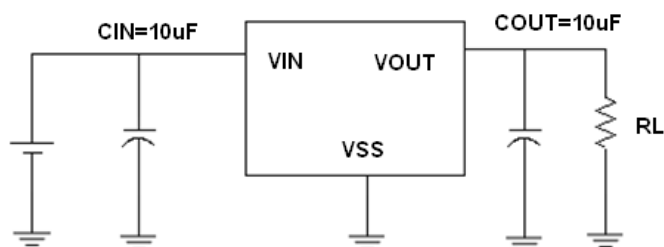
Selection Guide



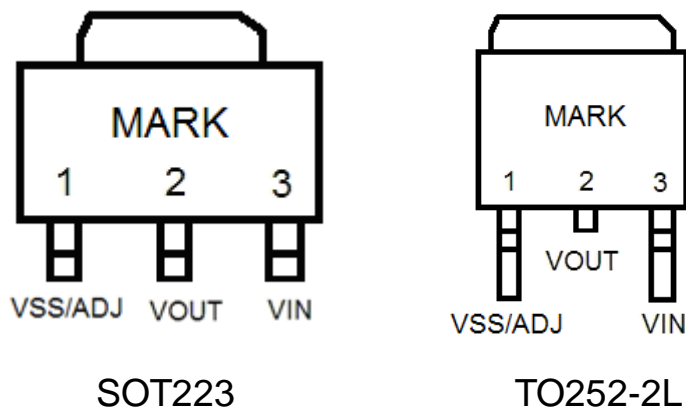
Typical Application

- Consumer and Industrial Equipment Point of Regulation
- Switching Power Supply Post Regulation
- Hard Drive Controllers
- Battery Chargers

Typical Application Circuit



Pin Configuration



Pin Assignment

MET1117AXX

Pin Number	Pin Name	Functions
1	V _{SS}	Ground
2	V _{OUT}	Output
3	V _{IN}	Power Input

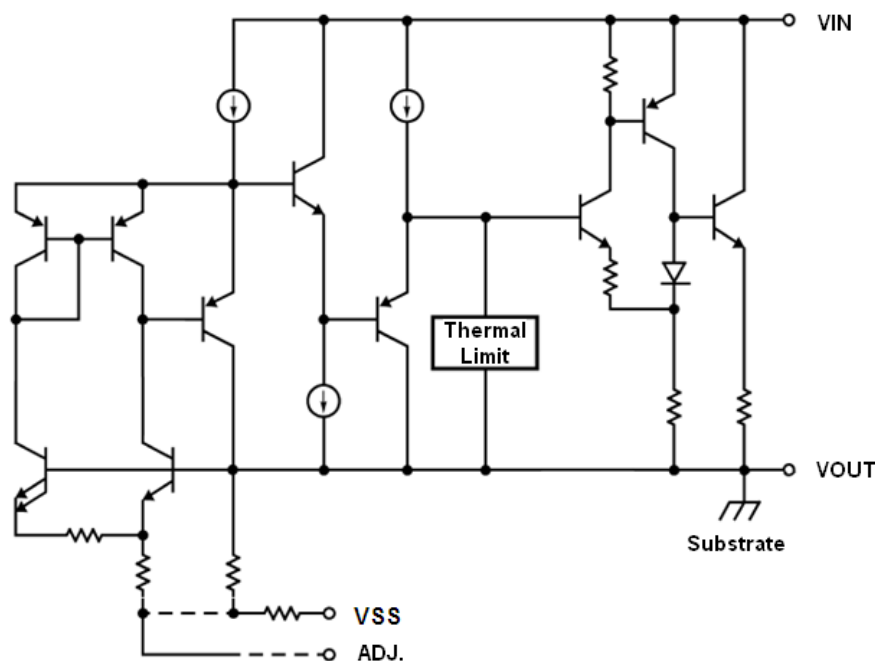
MET1117F

Pin Number	Pin Name	Functions
1	ADJ	Adjustable Output
2	V _{OUT}	Output
3	V _{IN}	Power Input

Absolute Maximum Ratings

Parameter	Symbol	Ratings	Units	
Input Voltage	V _{IN}	20	V	
Output Current	I _{OUT}	850	mA	
Output Voltage	V _{OUT}	V _{SS} -0.3~V _{IN} +0.3	V	
Power Dissipation	SOT223	P _D	750	mW
	TO252-2L		2000	mW
Operating Temperature Range	T _{OPR}	-40~+125	°C	
Storage Temperature Range	T _{STG}	-40~+150	°C	
Junction Temperature Range	T _J	0~+150	°C	
Lead Temperature	SOT223		260°C, 4sec	
	TO252-2L		260°C, 10sec	
Thermal Resistance Junction-to-Case	SOT223		15	°C/W
	TO252-2L		10	°C/W
Thermal Resistance Junction-to-Ambient (No heat sink; No air flow)	SOT223		136	°C/W
	TO252-2L		92	°C/W

Block Diagram



Electrical Characteristics

MET1117F

($V_{IN} = V_{OUT} + 1.5V$, $C_{IN} = C_{OUT} = 10\mu F$, $T_a = 25^\circ C$, unless otherwise noted)

Parameter	Symbol	Conditions	Min.	Typ.	Max.	Units
Reference Voltage	V_{REF}	$V_{IN} = V_{OUT} + 1.5V$, $I_{OUT} = 10mA$ $10mA \leq I_{OUT} \leq 700mA$ $V_{OUT} + 1.5V \leq V_{IN} \leq 20V$	$\times 0.98$ $\times 0.98$	1.25 1.25	$\times 1.02$ $\times 1.02$	V
		$I_{OUT} = 800mA$, $V_{IN} = V_{OUT} + 1.7V$	$\times 0.98$	1.25	$\times 1.02$	V
Maximum Output Current	I_{OUTMAX}	$V_{IN} = V_{OUT} + 1.5V$		700		mA
Maximum Output Current	I_{OUTMAX}	$V_{IN} = V_{OUT} + 1.7V$		800		mA
Minimum Output Current	I_{OUTMIN}	$V_{IN} = V_{OUT} + 1.5V$		2		mA
Line Regulation	$\Delta V_{REF-LINE}$	$I_{OUT} = 10mA$ $V_{OUT} + 1.5V \leq V_{IN} \leq 20V$		2	6	mV
Load Regulation	$\Delta V_{REF-LOAD}$	$V_{IN} = V_{OUT} + 1.5V$ $0mA \leq I_{OUT} \leq 700mA$		9	15	mV
Adjustment Pin Current	I_{ADJ}	$V_{IN} = V_{OUT} + 1.5V$		11	30	μA
Adjust Pin Current Change		$10mA \leq I_{OUT} \leq 700mA$ $1.5V \leq V_{IN} - V_{OUT} \leq 20V$		0.2	5	μA
Thermal Shutdown		Junction Temperature		160		$^\circ C$
Current Limit	I_{LIMIT}	$V_{IN} = V_{OUT} + 1.7V$		850		mA

MET1117A12

($V_{IN} = V_{OUT} + 1.5V$, $C_{IN} = C_{OUT} = 10\mu F$, $T_a = 25^\circ C$, unless otherwise noted)

Parameter	Symbol	Conditions	Min.	Typ.	Max.	Units
Output Voltage	V_{OUT}	$I_{OUT} = 10mA, V_{IN} = V_{OUT} + 1.5V$ $10mA \leq I_{OUT} \leq 700mA$ $V_{OUT} + 1.5V \leq V_{IN} \leq 15V$	$\times 0.98$	1.2	$\times 1.02$	V
		$I_{OUT} = 800mA, V_{IN} = V_{OUT} + 1.7V$	$\times 0.98$	1.2	$\times 1.02$	V
Maximum Output Current	I_{OUTMAX}	$V_{IN} = V_{OUT} + 1.5V$		700		mA
Maximum Output Current	I_{OUTMAX}	$V_{IN} = V_{OUT} + 1.7V$		800		mA
Load Regulation	$\Delta V_{OUT-LOAD}$	$V_{IN} = V_{OUT} + 1.5V$ $0mA \leq I_{OUT} \leq 700mA$		9	15	mV
Dropout Voltage (Note 1)	V_{DIF1}	$I_{OUT} = 100mA$		1.08	1.10	V
	V_{DIF2}	$I_{OUT} = 500mA$		1.20	1.30	V
	V_{DIF3}	$I_{OUT} = 700mA$		1.45	1.50	V
	V_{DIF4}	$I_{OUT} = 800mA$		1.65	1.70	V
Quiescent Current	I_{SS}	$V_{IN} = V_{OUT} + 1.5V$		3.5	10	mA
Line Regulation	$\Delta V_{OUT-LINE}$	$I_{OUT} = 10mA$ $V_{OUT} + 1.5V \leq V_{IN} \leq 20V$		2	6	mV
Ripple Rejection Rate	PSRR	$V_{IN} = 12V$ $+1Vp-pAC$	$I_{OUT} = 10mA, 1kHz$		65	dB
			$I_{OUT} = 100mA, 1kHz$		60	
Thermal Shutdown		Junction Temperature		160		$^\circ C$
Current Limit	I_{LIMIT}	$V_{IN} = V_{OUT} + 1.7V$		850		mA

MET1117A18

($V_{IN} = V_{OUT} + 1.5V$, $C_{IN} = C_{OUT} = 10\mu F$, $T_a = 25^\circ C$, unless otherwise noted)

Parameter	Symbol	Conditions	Min.	Typ.	Max.	Units
Output Voltage	V_{OUT}	$I_{OUT} = 10mA, V_{IN} = V_{OUT} + 1.5V$ $10mA \leq I_{OUT} \leq 700mA$ $V_{OUT} + 1.5V \leq V_{IN} \leq 15V$	$\times 0.98$	1.8	$\times 1.02$	V
		$I_{OUT} = 800mA, V_{IN} = V_{OUT} + 1.7V$	$\times 0.98$	1.8	$\times 1.02$	V
Maximum Output Current	I_{OUTMAX}	$V_{IN} = V_{OUT} + 1.5V$		700		mA
Maximum Output Current	I_{OUTMAX}	$V_{IN} = V_{OUT} + 1.7V$		800		mA
Load Regulation	$\Delta V_{OUT-LOAD}$	$V_{IN} = V_{OUT} + 1.5V$ $0mA \leq I_{OUT} \leq 700mA$		12	18	mV
Dropout Voltage (Note 1)	V_{DIF1}	$I_{OUT} = 100mA$		1.08	1.10	V
	V_{DIF2}	$I_{OUT} = 500mA$		1.20	1.30	V

	V_{DIF3}	$I_{OUT} = 700mA$		1.45	1.50	V
	V_{DIF4}	$I_{OUT} = 800mA$		1.65	1.70	V
Quiescent Current	I_{SS}	$V_{IN} = V_{OUT} + 1.5V$		3.5	10	mA
Line Regulation	$\Delta V_{OUT-LINE}$	$I_{OUT} = 10mA$ $V_{OUT} + 1.5V \leq V_{IN} \leq 20V$		2	6	mV
Ripple Rejection Rate	PSRR	$V_{IN} = 12V$ $+1Vp-pAC$	$I_{OUT} = 10mA, 1kHz$	65		dB
			$I_{OUT} = 100mA, 1kHz$	60		
Thermal Shutdown		Junction Temperature		160		$^{\circ}C$
Current Limit	I_{LIMIT}	$V_{IN} = V_{OUT} + 1.7V$		850		mA

MET1117A25

($V_{IN} = V_{OUT} + 1.5V$, $C_{IN} = C_{OUT} = 10\mu F$, $T_a = 25^{\circ}C$, unless otherwise noted)

Parameter	Symbol	Conditions	Min.	Typ.	Max.	Units
Output Voltage	V_{OUT}	$I_{OUT} = 10mA, V_{IN} = V_{OUT} + 1.5V$ $10mA \leq I_{OUT} \leq 700mA$ $V_{OUT} + 1.5V \leq V_{IN} \leq 15V$	$\times 0.98$ $\times 0.98$	2.5 2.5	$\times 1.02$ $\times 1.02$	V
		$I_{OUT} = 800mA, V_{IN} = V_{OUT} + 1.7V$	$\times 0.98$	2.5	$\times 1.02$	V
Maximum Output Current	I_{OUTMAX}	$V_{IN} = V_{OUT} + 1.5V$		700		mA
Maximum Output Current	I_{OUTMAX}	$V_{IN} = V_{OUT} + 1.7V$		800		mA
Load Regulation	$\Delta V_{OUT-LOAD}$	$V_{IN} = V_{OUT} + 1.5V$ $0mA \leq I_{OUT} \leq 700mA$		15	25	mV
Dropout Voltage (Note 1)	V_{DIF1}	$I_{OUT} = 100mA$		1.08	1.10	V
	V_{DIF2}	$I_{OUT} = 500mA$		1.20	1.30	V
	V_{DIF3}	$I_{OUT} = 700mA$		1.45	1.50	V
	V_{DIF4}	$I_{OUT} = 800mA$		1.65	1.70	V
Quiescent Current	I_{SS}	$V_{IN} = V_{OUT} + 1.5V$		3.5	10	mA
Line Regulation	$\Delta V_{OUT-LINE}$	$I_{OUT} = 10mA$ $V_{OUT} + 1.5V \leq V_{IN} \leq 20V$		2	6	mV
Ripple Rejection Rate	PSRR	$V_{IN} = 12V$ $+1Vp-pAC$	$I_{OUT} = 10mA, 1kHz$	65		dB
			$I_{OUT} = 100mA, 1kHz$	60		
Thermal Shutdown		Junction Temperature		160		$^{\circ}C$
Current Limit	I_{LIMIT}	$V_{IN} = V_{OUT} + 1.7V$		850		mA

MET1117A33

($V_{IN} = V_{OUT} + 1.5V$, $C_{IN} = C_{OUT} = 10\mu F$, $T_a = 25^\circ C$, unless otherwise noted)

Parameter	Symbol	Conditions	Min.	Typ.	Max.	Units
Output Voltage	V_{OUT}	$I_{OUT} = 10mA, V_{IN} = V_{OUT} + 1.5V$ $10mA \leq I_{OUT} \leq 700mA$ $V_{OUT} + 1.5V \leq V_{IN} \leq 15V$	$\times 0.98$ $\times 0.98$	3.3 3.3	$\times 1.02$ $\times 1.02$	V
		$I_{OUT} = 800mA, V_{IN} = V_{OUT} + 1.7V$	$\times 0.98$	3.3	$\times 1.02$	V
Maximum Output Current	I_{OUTMAX}	$V_{IN} = V_{OUT} + 1.5V$		700		mA
Maximum Output Current	I_{OUTMAX}	$V_{IN} = V_{OUT} + 1.7V$		800		mA
Load Regulation	$\Delta V_{OUT-LOAD}$	$V_{IN} = V_{OUT} + 1.5V$ $0mA \leq I_{OUT} \leq 700mA$		20	30	mV
Dropout Voltage (Note 1)	V_{DIF1}	$I_{OUT} = 100mA$		1.08	1.10	V
	V_{DIF2}	$I_{OUT} = 500mA$		1.20	1.30	V
	V_{DIF3}	$I_{OUT} = 700mA$		1.45	1.50	V
	V_{DIF4}	$I_{OUT} = 800mA$		1.65	1.70	V
Quiescent Current	I_{SS}	$V_{IN} = V_{OUT} + 1.5V$		3.5	10	mA
Line Regulation	$\Delta V_{OUT-LINE}$	$I_{OUT} = 10mA$ $V_{OUT} + 1.5V \leq V_{IN} \leq 20V$		2	6	mV
Ripple Rejection Rate	PSRR	$V_{IN} = 12V$ $+1Vp-pAC$	$I_{OUT} = 10mA, 1kHz$		65	dB
			$I_{OUT} = 100mA, 1kHz$		60	
Thermal Shutdown		Junction Temperature		160		$^\circ C$
Current Limit	I_{LIMIT}	$V_{IN} = V_{OUT} + 1.7V$		850		mA

MET1117A50

($V_{IN} = V_{OUT} + 1.5V$, $C_{IN} = C_{OUT} = 10\mu F$, $T_a = 25^\circ C$, unless otherwise noted)

Parameter	Symbol	Conditions	Min.	Typ.	Max.	Units
Output Voltage	V_{OUT}	$I_{OUT} = 10mA, V_{IN} = V_{OUT} + 1.5V$ $10mA \leq I_{OUT} \leq 700mA$ $V_{OUT} + 1.5V \leq V_{IN} \leq 15V$	$\times 0.98$ $\times 0.98$	5.0 5.0	$\times 1.02$ $\times 1.02$	V
		$I_{OUT} = 800mA, V_{IN} = V_{OUT} + 1.7V$	$\times 0.98$	5.0	$\times 1.02$	V
Maximum Output Current	I_{OUTMAX}	$V_{IN} = V_{OUT} + 1.5V$		700		mA
Maximum Output Current	I_{OUTMAX}	$V_{IN} = V_{OUT} + 1.7V$		800		mA
Load Regulation	$\Delta V_{OUT-LOAD}$	$V_{IN} = V_{OUT} + 1.5V$ $0mA \leq I_{OUT} \leq 700mA$		35	50	mV
Dropout Voltage	V_{DIF1}	$I_{OUT} = 100mA$		1.08	1.10	V

(Note 1)	V_{DIF2}	$I_{OUT} = 500mA$		1.20	1.30	V
	V_{DIF3}	$I_{OUT} = 700mA$		1.45	1.50	V
	V_{DIF4}	$I_{OUT} = 800mA$		1.65	1.70	V
Quiescent Current	I_{SS}	$V_{IN} = V_{OUT} + 1.5V$		3.5	10	mA
Line Regulation	$\Delta V_{OUT-LINE}$	$I_{OUT} = 10mA$ $V_{OUT} + 1.5V \leq V_{IN} \leq 20V$		2	6	mV
Ripple Rejection Rate	PSRR	$V_{IN} = 12V$ $+1Vp-pAC$	$I_{OUT} = 10mA, 1kHz$	65		dB
			$I_{OUT} = 100mA, 1kHz$	60		
Thermal Shutdown		Junction Temperature		160		°C
Current Limit	I_{LIMIT}	$V_{IN} = V_{OUT} + 1.7V$		840		mA

Note :

1. V_{DIF} : $V_{IN1} - V_{OUT}(E)'$

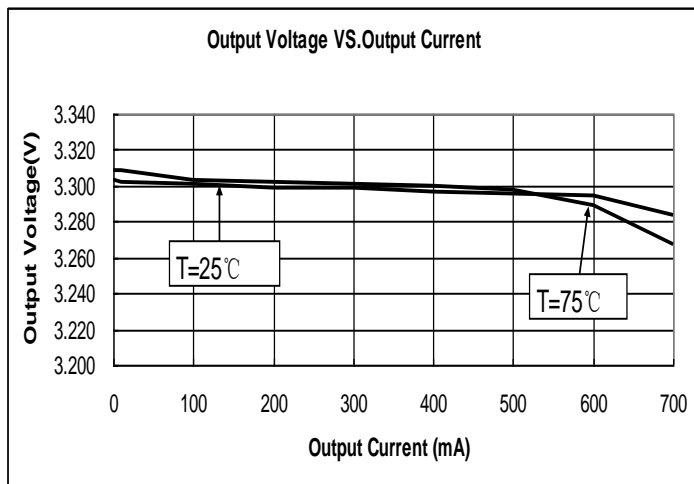
V_{IN1} : The input voltage when $V_{OUT}(E)'$ appears as input voltage is gradually decreased.

$V_{OUT}(E)'$ = A voltage equal to 99% of the output voltage whenever an amply stabilized lout and $\{V_{OUT}(T) + 1.5V\}$ is input. When output current is 800mA, $\{V_{OUT}(T) + 1.7V\}$ is input.

Type Characteristics

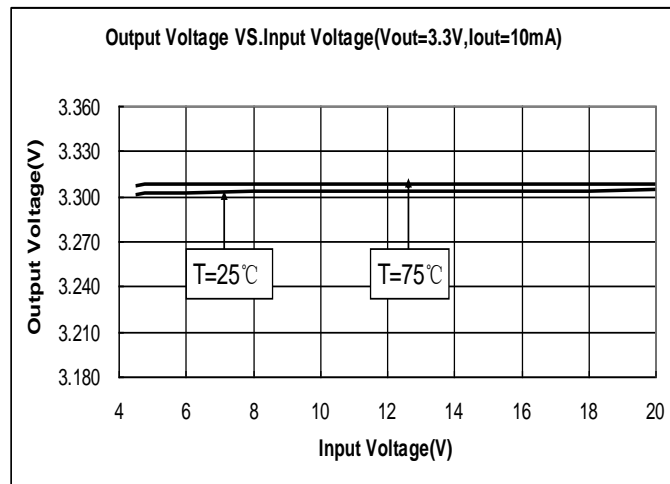
(1) Output Voltage VS. Output Current
 $(V_{IN}=V_{OUT}+1.5V)$

MET1117A33



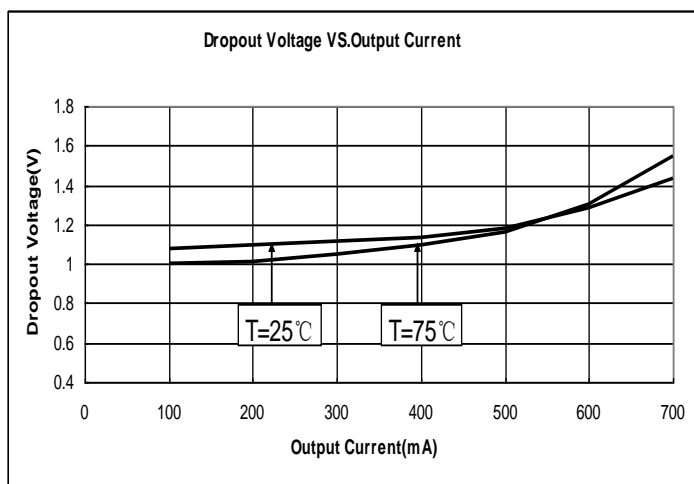
(2) Output Voltage VS. Input Voltage
 $(V_{OUT}=3.3V, I_{OUT}=10mA)$

MET1117A33



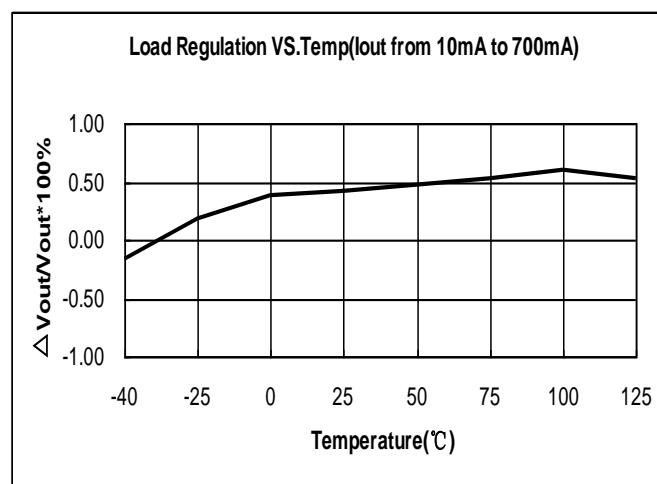
(3) Dropout Voltage VS. Output Current

MET1117A33



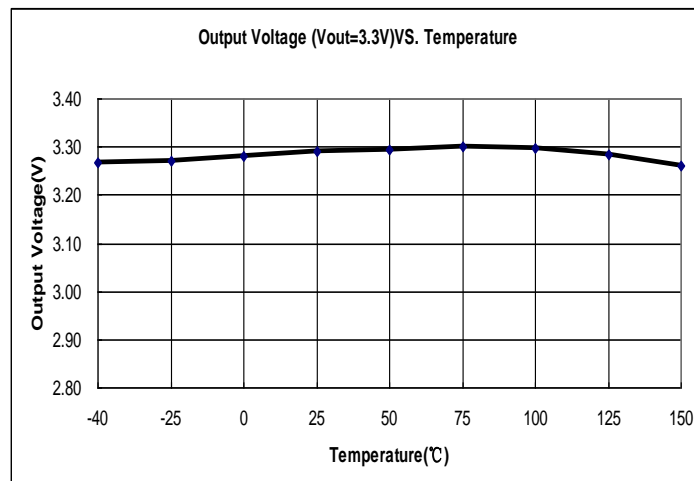
(4) Load Regulation VS. Temp (I_{OUT} from 10mA to 700mA)

MET1117A33



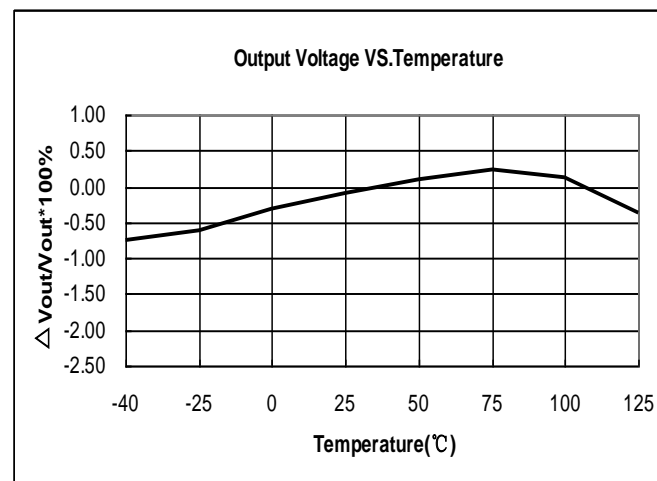
(5) Output Voltage VS. Temperature

MET1117A33 ($I_{OUT}=10mA$)



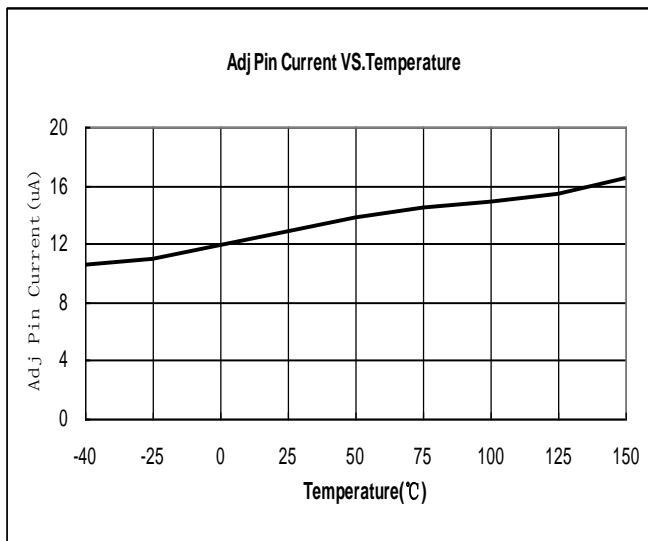
(6) Output Voltage Change VS. Temperature

MET1117A33 ($I_{OUT}=10mA$)



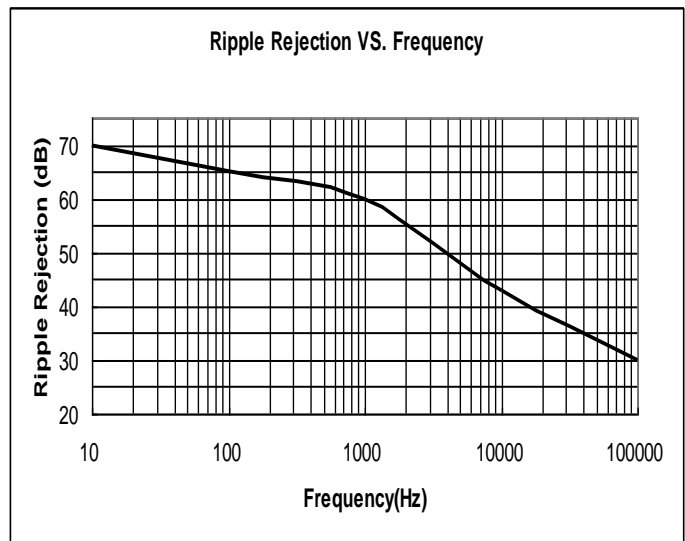
(7) Adj Pin Current VS. Temperature

MET1117F



(8) Ripple Rejection vs. Frequency

MET1117A33

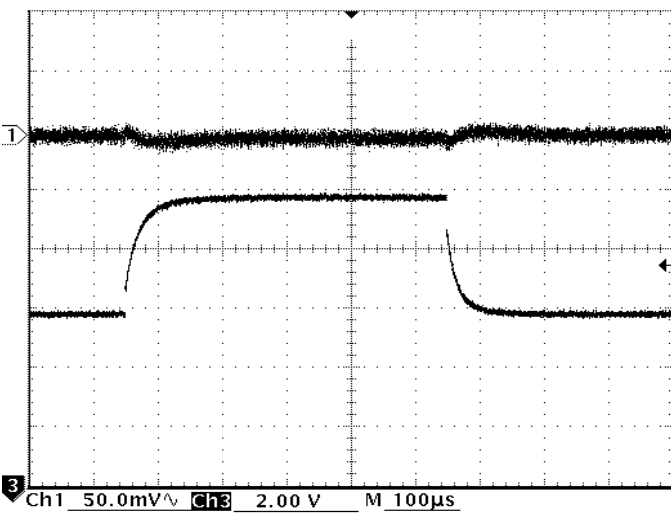


(9) Line Transient Response

MET1117A33

Ch1: Output Voltage Ch3: Input Voltage

$V_{IN}=8V\sim 12V, I_{OUT}=0mA, T_a = 25^\circ C$

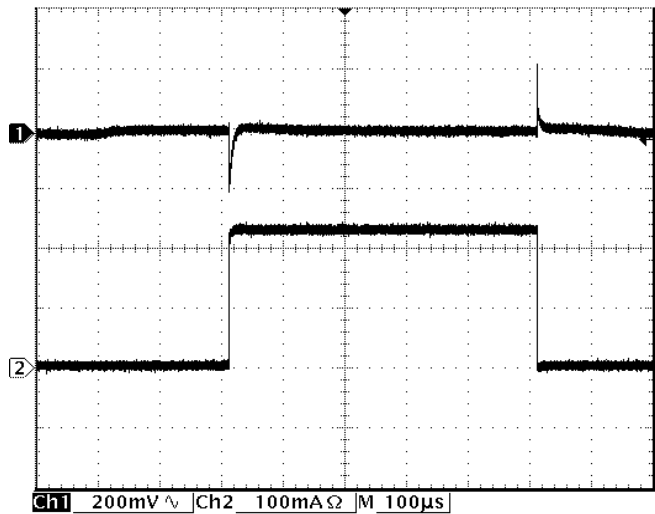


(10) Load Transient Response

MET1117A33

Ch1: Output Voltage Ch2: Load Current

$V_{IN}=4.8V, I_{OUT}=0mA \sim 240mA, T_a = 25^\circ C$



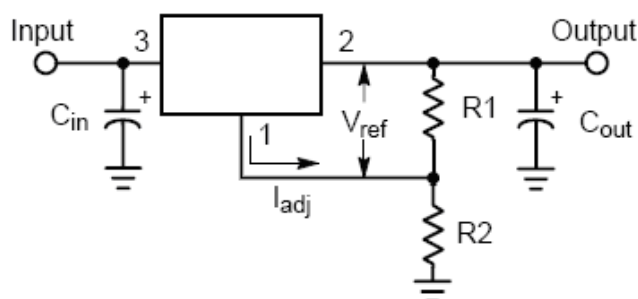
Applications Information

➤ Introduction

The MET1117 features a significant reduction in dropout voltage along with enhanced output voltage accuracy and temperature stability when compared to older industry standard three-terminal adjustable regulators.

➤ Output Voltage

The typical application circuit for adjustable output regulator is shown in following Figure. They develop and maintain the nominal 1.25 V reference voltage between the output and adjust pins. The reference voltage is programmed to a constant current source by resistor R1, and this current flows through R2 to ground to set the output voltage. The programmed current level is usually selected to be greater than the specified 3.0mA minimum that is required for regulation. Since the adjust pin current, I_{ADJ} , is significantly lower and constant with respect to the programmed load current, it generates a small output voltage error that can usually be ignored.



$$V_{out} = V_{ref} \left(1 + \frac{R2}{R1} \right) + I_{adj} R2$$

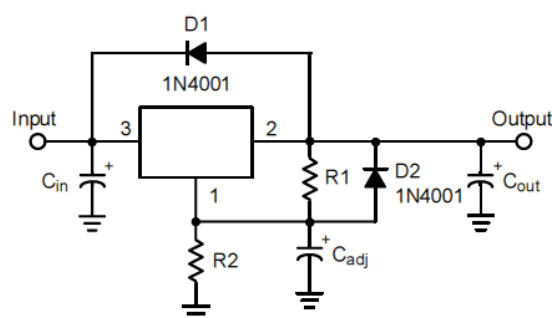
➤ External Capacitors

Input bypass capacitor C_{IN} may be required for regulator stability. This capacitor will reduce the circuit's sensitivity when powered from a complex source. A 10uF ceramic or tantalum capacitor should be adequate for most applications. Frequency compensation for the regulator is provided by capacitor C_{OUT} and its use is mandatory to ensure output stability. A minimum capacitance value of 4.7uF with an equivalent series resistance (ESR) that is within the limits of 0.25 ohm to 2.2 ohm is required. Higher values of output capacitance can be used to enhance loop

stability and transient response with the additional benefit of reducing output noise. The output ripple will increase linearly for fixed and adjustable devices as the ratio of output voltage to the reference voltage increases.

➤ Protection Diodes

The MET1117 has two internal low impedance diode paths that normally do not require protection when used in the typical regulator applications. The first path connects between V_{OUT} and V_{IN} , and it can withstand a peak surge current of about 15 A. Only when V_{IN} is shorted to ground and C_{OUT} is greater than 100uF, it becomes possible for device damage to occur. Under these conditions, diode D1 is required to protect the device. The second path connects between C_{ADJ} and V_{OUT} , and it can withstand a peak surge current of about 150mA. Protection diode D2 is required if the output is shorted to ground and C_{ADJ} is greater than 10uF.

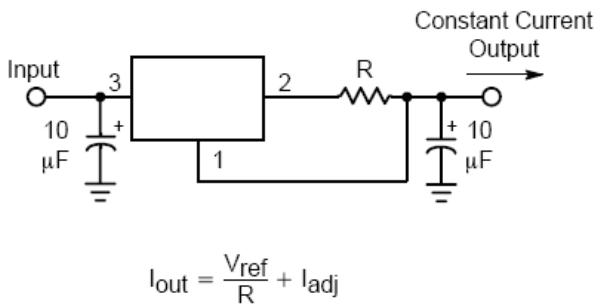


➤ Thermal Considerations

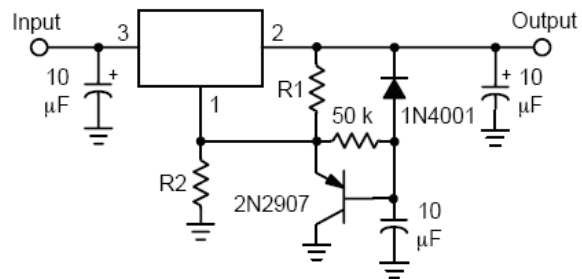
This series contains an internal thermal limiting circuit that is designed to protect the regulator in the event that the maximum junction temperature is exceeded. When activated, typically at 175°C, the regulator output switches off and then back on as the die cools.

Other Application Circuit

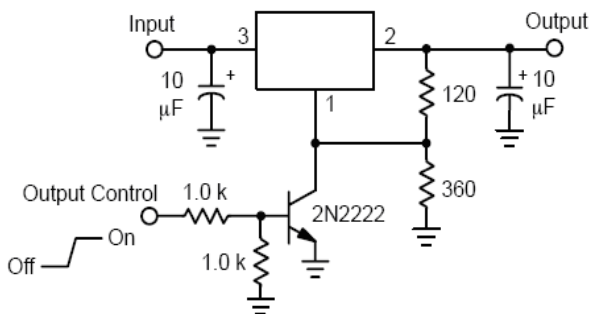
(1) Constant Current Regulator



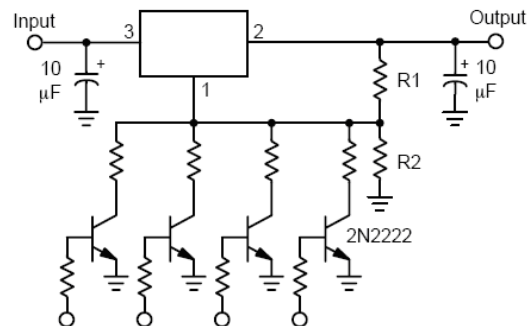
(2) Slow Turn-On Regulator



(3) Regulator with Shutdown

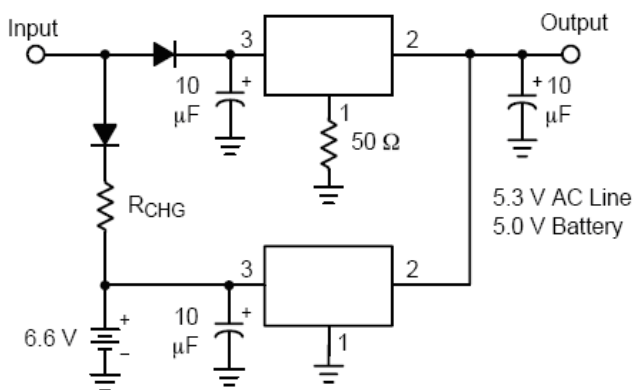


(4) Digitally Controlled Regulator

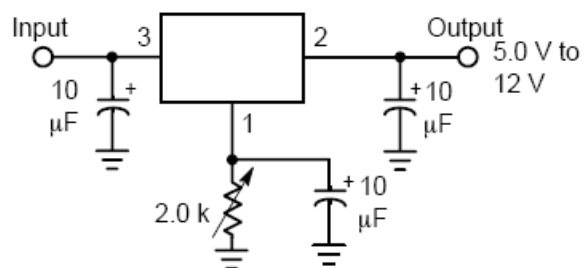


Resistor R2 sets the maximum output voltage. Each transistor reduces the output voltage when turned on.

(5) Battery Backed-Up Power Supply



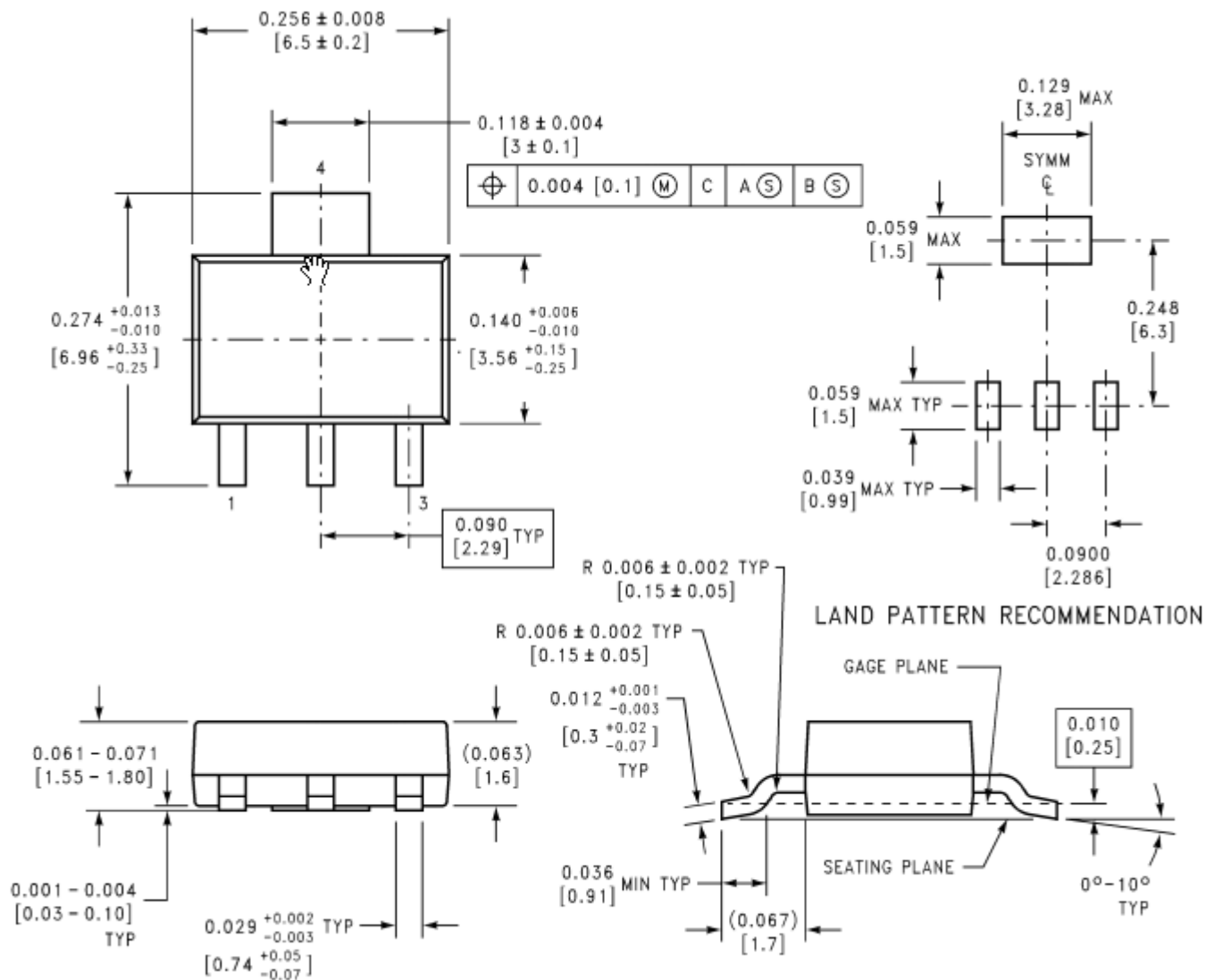
(6) Adjusting Output of Fixed Voltage Regulators



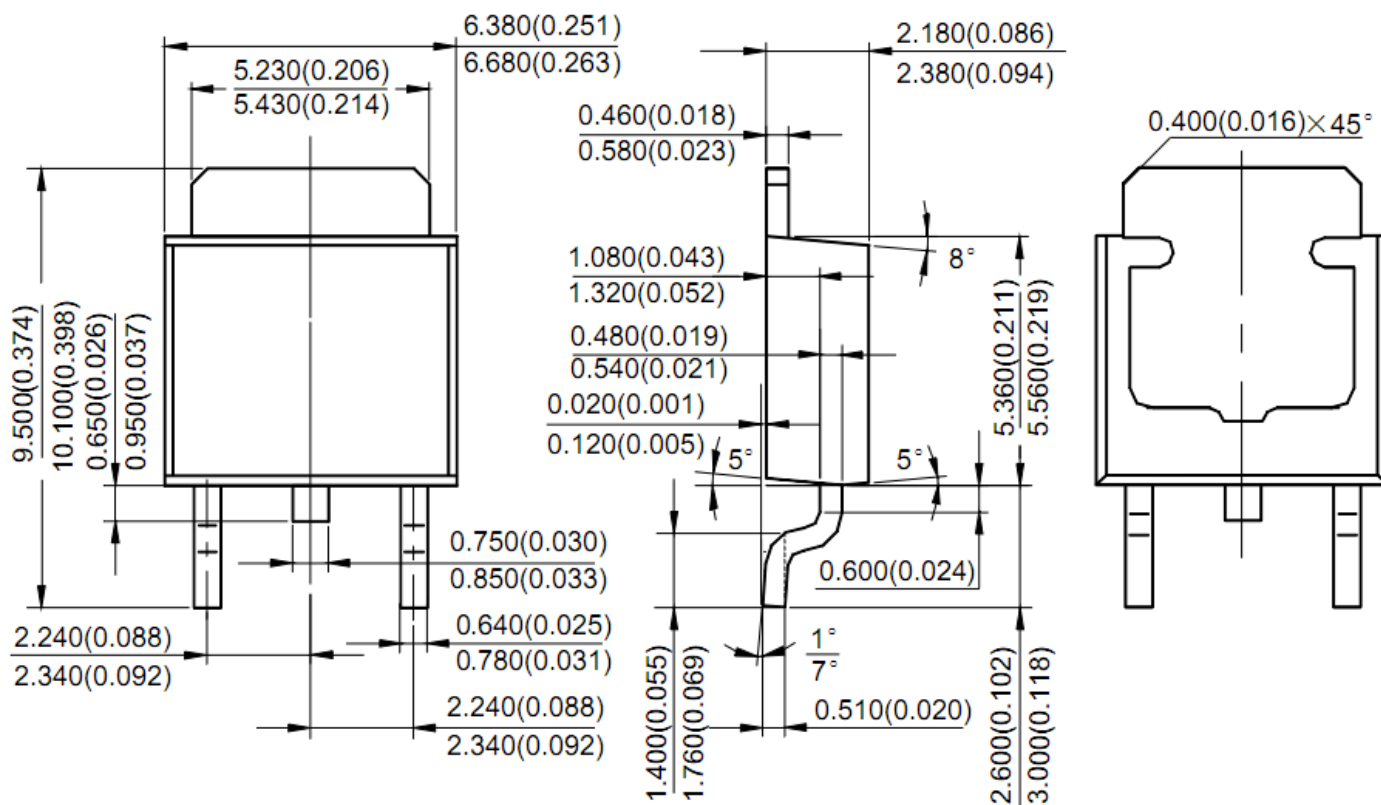
The 50 ohm resistor that is in series with the ground pin of the upper regulator level shifts its output 300 mV higher than the lower regulator. This keeps the lower regulator off until the input source is removed.

Packaging Information

● SOT223



● TO252-2L



- The information described herein is subject to change without notice.
- Nanjing Micro One Electronics Inc is not responsible for any problems caused by circuits or diagrams described herein whose related industrial properties, patents, or other rights belong to third parties. The application circuit examples explain typical applications of the products, and do not guarantee the success of any specific mass-production design.
- Use of the information described herein for other purposes and/or reproduction or copying without the express permission of Nanjing Micro One Electronics Inc is strictly prohibited.
- The products described herein cannot be used as part of any device or equipment affecting the human body, such as exercise equipment, medical equipment, security systems, gas equipment, or any apparatus installed in airplanes and other vehicles, without prior written permission of Nanjing Micro One Electronics Inc.
- Although Nanjing Micro One Electronics Inc exerts the greatest possible effort to ensure high quality and reliability, the failure or malfunction of semiconductor products may occur. The user of these products should therefore give thorough consideration to safety design, including redundancy, fire-prevention measures, and malfunction prevention, to prevent any accidents, fires, or community damage that may ensue.