

CR26500

ELECTRICAL CHARACTERISTICS

Nominal Capacity 5.4Ah
(10mA ,+25°C 2V cut off.The capacity restored by the cell varies according to current drain, temperature and cut-off)

Nominal Voltage 3.0V

Max.Continuous Current 2000mA

Max.Pulse Capability 3000mA

Storage(recommended) Max.30°C
(For more severe conditions,consult Bonrex))

Operating Temperature Range - 40°C~+85°C
(Operation at temperature different from ambient may lead to reduced capacity and lower voltage plateau readings)

Weight Approx.62g



BONREX

SIZE:C

KEY FEATURES

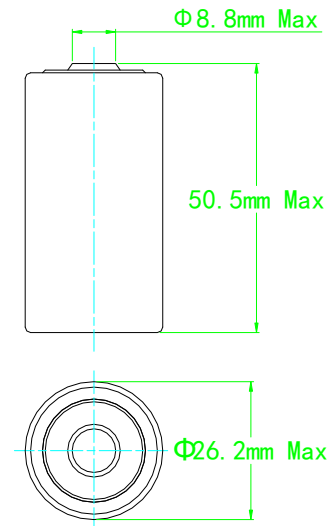
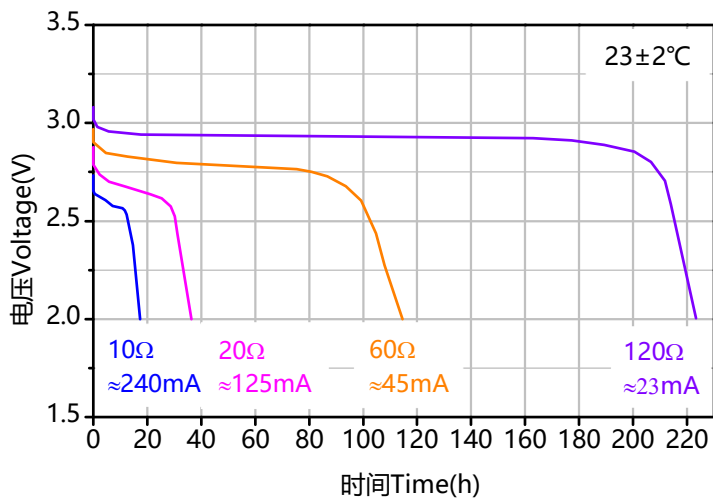
- High and stable operating voltage
- Self-discharge 2% per year at 25°C)
- Long storage life
- Full seal
- Stainless steel container(with low magnet)
- Widely operating temperature range
- Hermetic glass-to-metal sealing
- Non-flammable electrolyte
- CE,UL,SGS recognized,ISO9001 approved

APPLICATION

- Utility metering
- Memory back-up
- Tollgate systems
- Alarms and security devices
- Military electronics
- Automotive electronics
- Professional electronics
- GPS tracking
- Real time clock

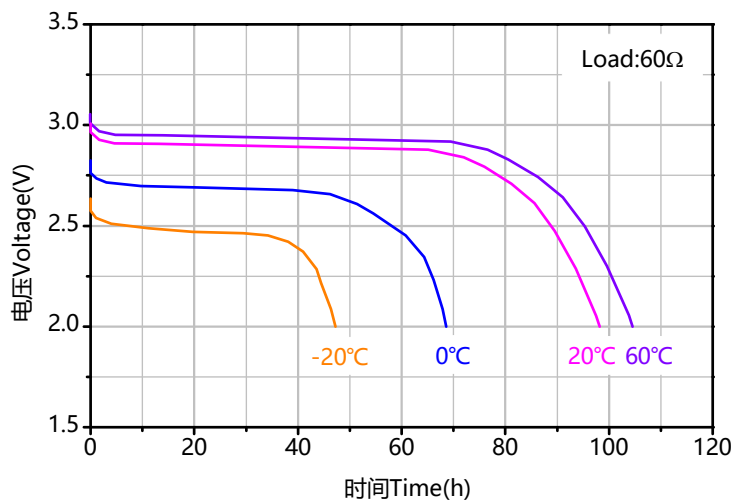
Note:Information in the document is just for reference.Latest edition of the publication, the right of interpretation subject to Bonrex.

DISCHARGE CHARACTERISTICS

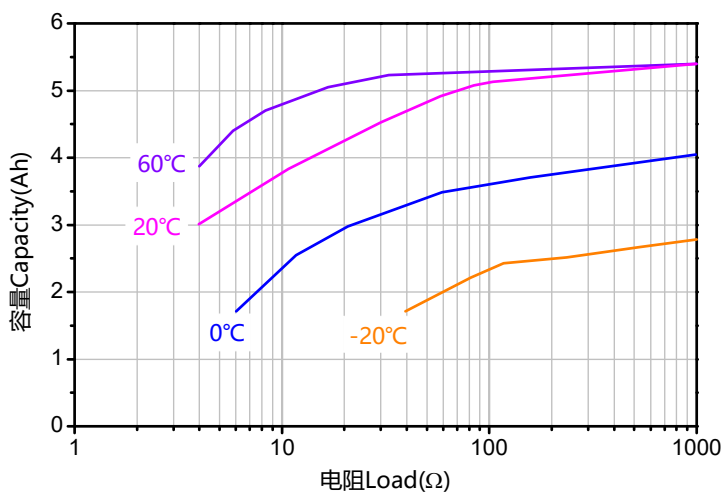


(For different connecting methods consult Bonrex)

TEMPERATURE CHARACTERISTICS



CAPACITY V.S. LOAD



WARNING

- ✦ It is strictly forbidden to have the battery positive and negative short circuit, charging, discharging, heating over 100 °C, remove, anatomy, or may cause explosion, combustion, internal acid leakage.
- ✦ Do not solder directly on the battery, should use wire or nickel sheet by pre spot welded .
- ✦ Can not mixed use with old and new battery or mixed use different kinds battery.
- ✦ Don't assemble the batteries from different manufacturers.
- ✦ Do not use the battery exceed the temperature range.
- ✦ Discharged battery should be buried deeply in the ground.

Capacity vs load at -40C°

