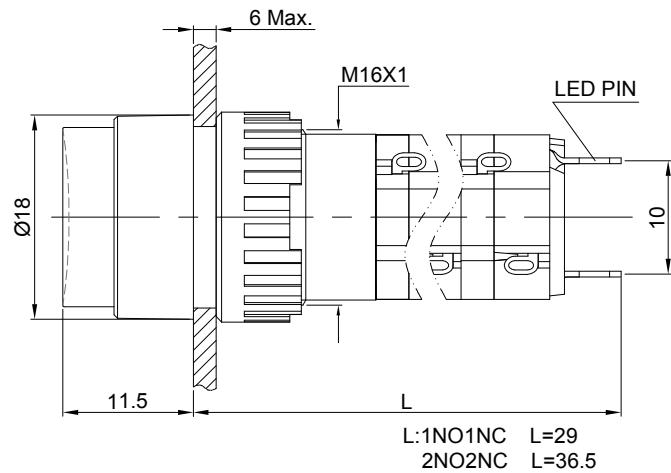
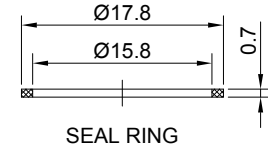
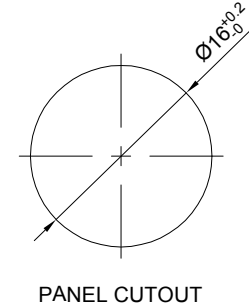
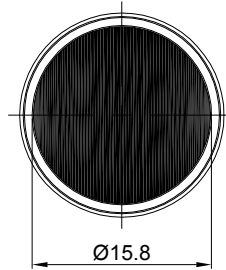


1 2 3 4 5 6 7

FOR 客户名称	APPROVED 客户确认签字	ATTN 销售负责人

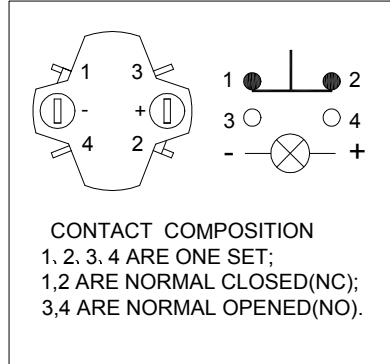


THE SHADED PART IS ILLUMINATED



L:1NO1NC L=29  
2NO2NC L=36.5

PART NUMBER: LAS1Y-□■/△/▲



"□"	CONTACT STRUCTURE
11	1NO1NC
22	2NO2NC
"■"	OPERATION MODE
NO LETTER	MOMENTARY
Z	LATCHING

"△"	LAMP COLOR
R	RED
G	GREEN
Y	YELLOW
B	BLUE
W	WHITE

"▲"	LAMP VOLTAGE
6V	AC/DC 6V
12V	AC/DC 12V
24V	AC/DC 24V
220V	AC/DC 220V (EXTERNAL RESISTOR)
OTHER VOLTAGE CAN BE MADE TO ORDER	

**SPECIFICATIONS:**

- SWITCH RATING:  $U_i: 250V, I_{th}: 20A$ .
- MECHANICAL LIFE: MOMENTARY  $\geq 1,000,000$  cycles;  
LATCHING  $\geq 500,000$  cycles.
- ELECTRICAL LIFE:  $\geq 50,000$  cycles.
- INITIAL CONTACT RESISTANCE:  $\leq 50m\Omega$ .
- INSULATION RESISTANCE:  $\geq 100M\Omega(500VDC)$ .
- DIELECTRIC STRENGTH:  
BETWEEN CONTACT AND LAMP TERMINALS: 2,000V, RMS 50Hz, 1min.  
BETWEEN TERMINALS OF THE SAME POLE: 1,500V, RMS 50Hz, 1min;  
BETWEEN TERMINALS OF DIFFERENT POLE: 2,000V, RMS 50Hz, 1min.
- OPERATING TEMPERATURE:  $-25^{\circ}C \sim +55^{\circ}C$  (NO FREEZING, KEEP THE AIR FLOWING AROUND PUSHBUTTON ).
- OPERATING FORCE: ABOUT 2N(1NO1NC), ABOUT 3N(2NO2NC).
- OPERATING TRAVEL: ABOUT 3mm.
- TORQUE: 0.6Nm Max. APPLIED TO NUT.
- FRONT PANEL PROTECTION DEGREE: IP40.
- TERMINAL TYPE: PIN TERMINAL(2X0.5mm).
- GENERAL TOLERANCE: 0-18mm= $\pm 0.25$ , 18-80mm= $\pm 0.52$ .

**MATERIALS:**

- CONTACT: SILVER ALLOY.
- BUTTON: PC.
- BODY: PC.
- BASE: UF.

BRAND 品牌		红波按钮制造有限公司		
ONPOW 欧宝龙®		ONPOW PUSH BUTTON MANUFACTURE CO.,LTD.		
TITLE 名称	LAS1Y SERIES PUSHBUTTON SWITCH		UNIT 单位	mm
DWG NO. 图号	LAS1Y带灯	SCALE 比例	1.5 : 1	SIZE 图纸
FILE NAME 档案名称	LAS1Y.DWG	DRAWN 制图	HCP 2023/11/13	SHEET 张
			1/1	REV. 更改
				1

1 2 3 4 5 6 7