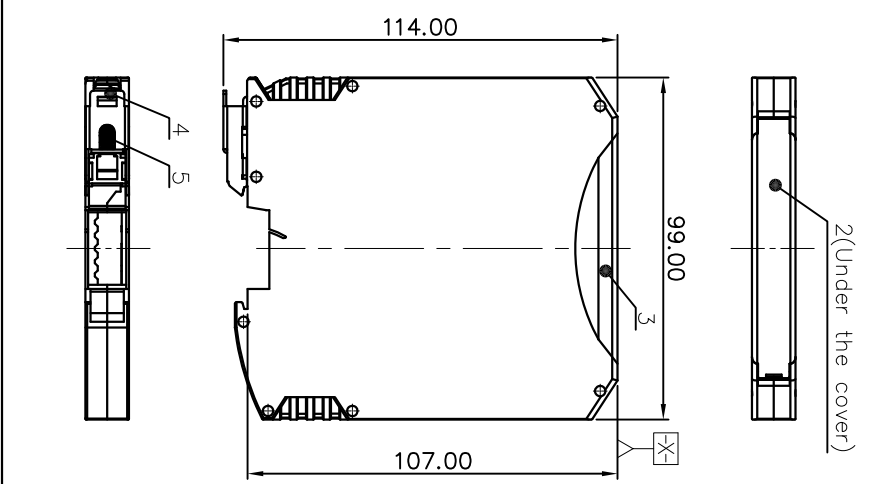
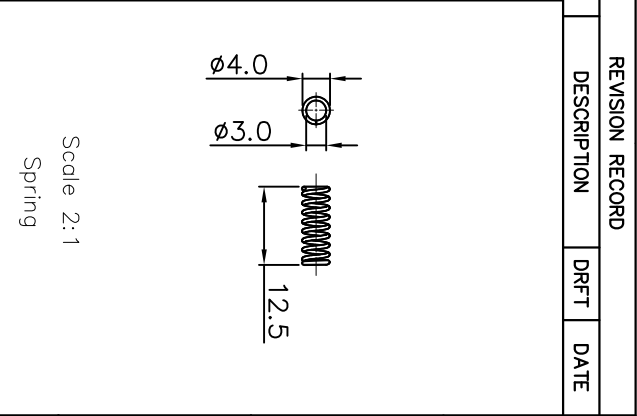
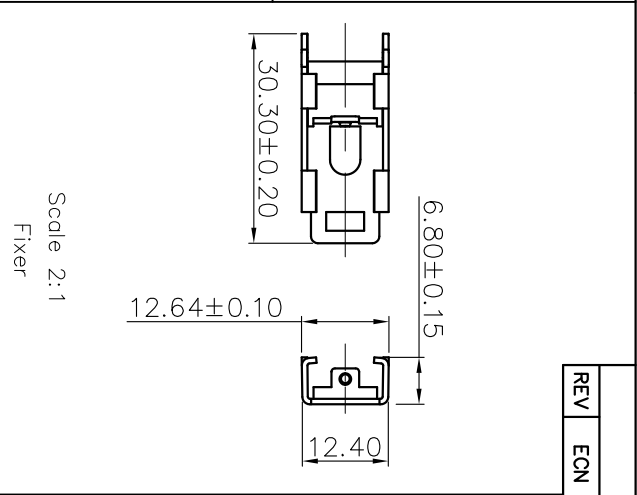
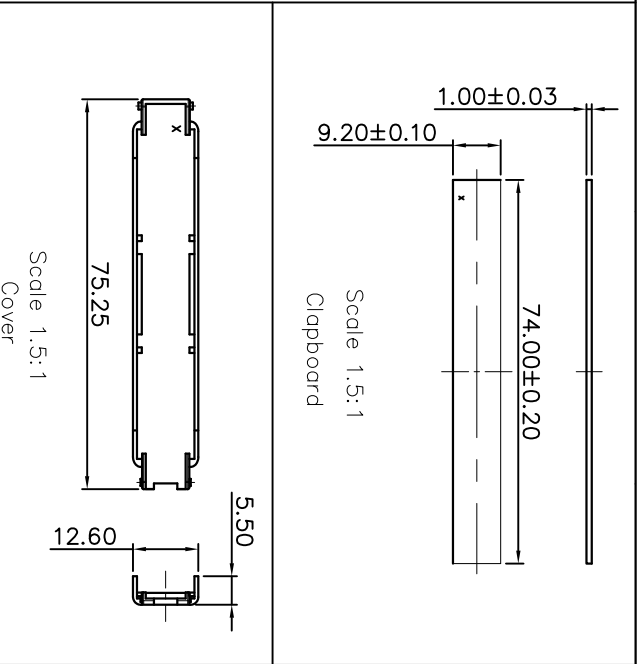
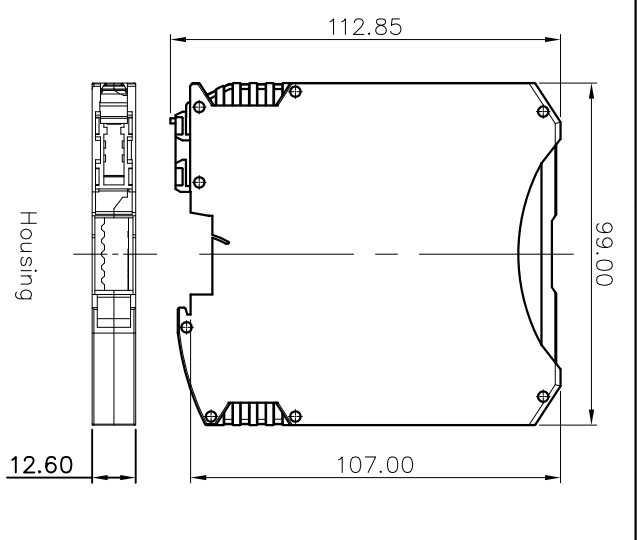


REVISION RECORD			
REV	ECN	DESCRIPTION	DATE



ITEM	NAME OF PART	MATERIAL	NOTES
1	Housing	PA66	UL94V-0
2	Clapboard	PA66	UL94V-0
3	Cover	PC	UL94V-2
4	Fixer	Steel	Zn Plated
5	Spring	Stainless steel	/

DETACHED LISTS	
PART NO.:	/
APPD.:	
CHKD.:	
DRT.:	CMZ 2019.03.22
THIRD ANGLE PROJECTION	
NAME:	DEGSON NINGBO DEGSON ELECTRICAL CO., LTD 宁波高松电子有限公司
TITLE:	CUSTOMER DRAWING
DRAWING NO.:	FMEH-02P-C01
REV	TO
SHEET	1/1
SCALE	1:1

Pitch range in mm	Nominal dimension range in mm	mm	mm	mm	mm	mm	mm	mm	mm	mm	mm
Over 6	Over 10	Over 30	Over 60	Over 100	Over 150	Over 150	Over 150	Over 150	Over 150	Over 150	Over 150
TO 10	TO 24	TO 30	TO 80	TO 100	TO 150	TO 150	TO 150	TO 150	TO 150	TO 150	TO 150
±0.15	±0.20	±0.30	±0.30	±0.50	±0.70	±1.00	±1.30	±2.0	±2.0	±2.0	±2.0

5. RoHS Compliance

FMEH - 02P - 1Y - 00A (H)
 (Series No.)(Poles) (Single Pitch) (Color) :1.(Grey) 2.(Blue) 3.(Black) 4.(Green) 5.(Orange) 6.(Red) 7.(Transparent) 8.(Yellow) 9.(White)

NOTES:

- Dimension shall be interpreted per ASME Y14.5-2009
- Poles : 02P
- Operating temperature: -40°C~+105°C
- Undimensioned tolerances: