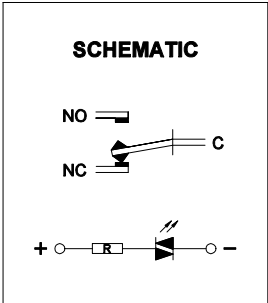
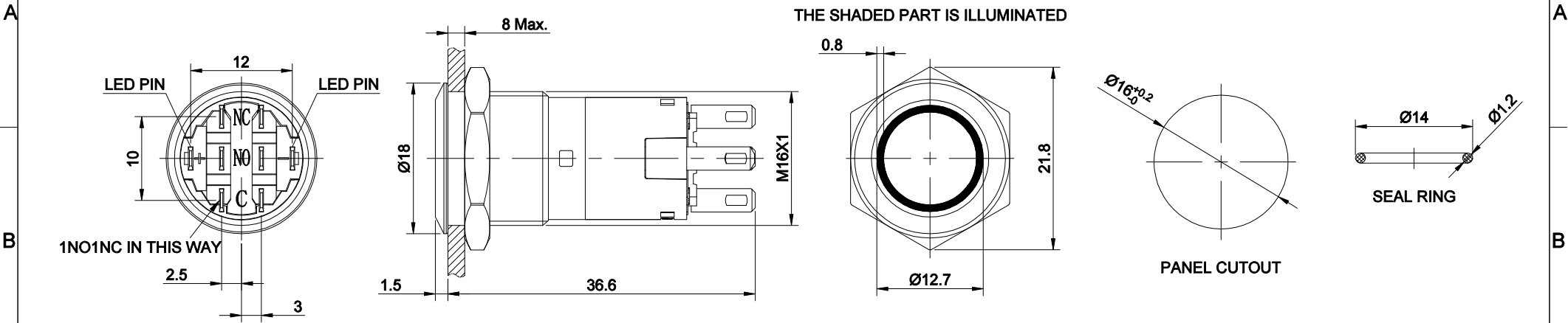


FOR 客户名称	APPROVED 客户确认签字	ATTN 销售负责人



SINGLE-BREAKPOINT QUICK-ACTING CONTACT SWITCHES WITH THREE TERMINALS

PART NUMBER: LAS1-AGQ16- E/ / /◎/※

"□"	CONTACT STRUCTURE	"△"	LAMP COLOR	"▲"	LAMP VOLTAGE	"◎"	CRUST MATERIAL
11	1NO1NC	R	RED	6V	AC/DC 6V	S	STAINLESS STEEL
22	2NO2NC	G	GREEN	12V	AC/DC 12V	C	CHROME PLATED BRASS
"■"	OPERATION MODE	Y	YELLOW	24V	AC/DC 24V	"※"	PROTECTION DEGREE
NO LETTER	MOMENTARY	B	BLUE	110V	AC/DC 110V	NO LETTER	IP65
Z	LATCHING	W	WHITE	220V	AC/DC 220V	FP	IP67(CUSTOMIZED)
OTHER VOLTAGE CAN BE MADE TO ORDER							

SPECIFICATIONS:

1. SWITCH RATING: Ui:250V, Ith:5A.
2. MECHANICAL LIFE: ≥1,000,000 cycles(MOMENTARY), ≥500,000 cycles(LATCHING).
3. ELECTRICAL LIFE: ≥50,000 cycles.
4. INITIAL CONTACT RESISTANCE: ≤50mΩ.
5. INSULATION RESISTANCE: ≥100MΩ(500VDC).
6. POWER-FREQUENCY WITHSTAND VOLTAGE: 1,500V, RMS 50Hz, 1min.
7. OPERATING TEMPERATURE: -25°C~ +55°C(NO FREEZING, KEEP THE AIR FLOWING AROUND PUSHBUTTON).
8. TORQUE: ABOUT 0.6N·m APPLIED TO NUT.
9. OPERATING FORCE: ABOUT 1.5N(1NO1NC), ABOUT 3N(2NO2NC).
10. OPERATING TRAVEL: ABOUT 3.1mm.
11. FRONT PANEL PROTECTION DEGREE: IP65(IP67 CAN BE CUSTOMIZED); IK09.
12. TERMINAL TYPE: PIN TERMINAL(2.8X0.5mm).
13. GENERAL TOLERANCE: 0-18mm=±0.25, 18-80mm=±0.52.
14. COMPLIANT WITH RoHS.

- MATERIALS:**
1. CONTACT: SILVER ALLOY.
 2. BUTTON: ◎.
 3. BODY: ◎.
 4. BASE: PA.

BRAND 品牌	红波按钮制造有限公司		
ONPOW 欧宝龙®	ONPOW PUSH BUTTON MANUFACTURE CO.,LTD.		
TITLE 名称	LAS1-AGQ16系列抗破坏金属按钮		UNIT 单位 mm
DWG NO. 图号	LAS1-AGQ16-E	SCALE 比例 1.5 : 1	SIZE 图纸 A4
FILE NAME 档案名称	LAS1-AGQ16带灯.DWG	DRAWN 制图 YDY 2022/05/12	SHEET 张 1/1 REV. 更改 1