



### ■ Features

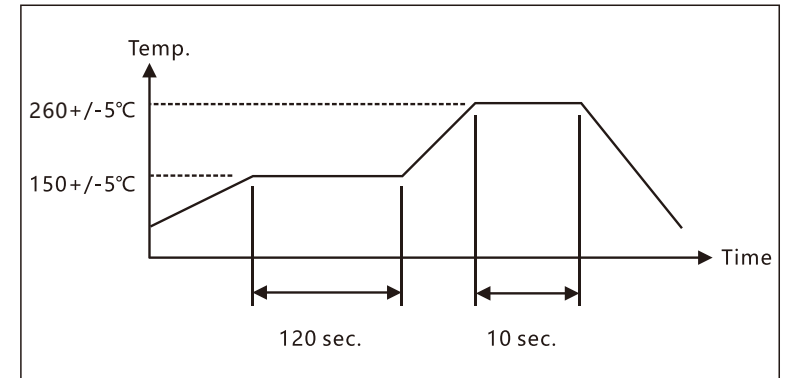
- > 3215 size ultra miniature and lightweight SMD tuning fork crystal resonator with a low profile of 0.75mm.
- > A ceramic package providing high precision and reliability.



### ■ Electrical Specifications

Item / Type	SMD CJ-3215
Nominal Frequency	32.768 KHz
Frequency Tolerance (at 25 °C)	± 20 ppm
Operating Temperature Range	-40 ~ +85°C or specify
Shunt Capacitance (C0)	1.1 pF typical
Motional Capacitance	3.4 fF typical
Insulation Resistance	500 MΩ Min.
Drive Level	0.5 μW Max.
Load Capacitance	9.0 pF, 12.5 pF or specify
Peak Temperature (Frequency)	25°C ± 5°C
Frequency-Temperature Coefficient	-4*10 <sup>-8</sup> / °C <sup>2</sup> Max.
Aging (at 25°C)	± 3 ppm / year Max.
Storage Temperature Range	-55 ~ +125°C

### ■ Reflow Condition



### ■ Dimensions

