



Features

- 6.6mmx6.95mmx1.8mm Shielded
- Inductance Range: 0.10uH - 6.8uH
- Current Range: 3A - 30A
- Frequency range up to 1MHz

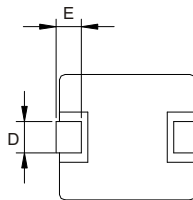
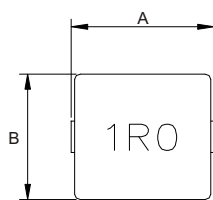
Application

- PDA, notebook, desktop, and server applications.
- Low profile, high current power supplies
- Battery powered devices
- DC/DC converters in distributed power systems

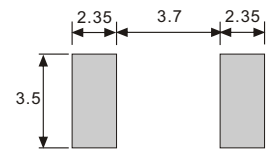
General Specifications

- Storage temp range: -55°C to +125°C
- Operating temp range: -55°C to +125°C
- Resistance to Soldering Heat +260°C for 5-10 Sec.

Dimensions & Configurations (Unit:mm)



Recommended Layout



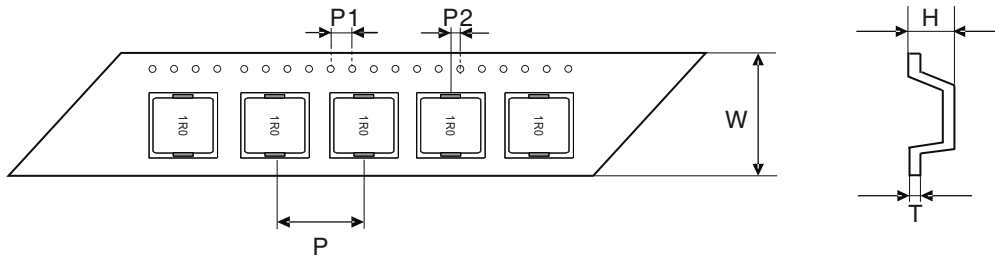
Type	A	B	C	D	E
HI0620	6.95±0.3	6.6±0.3	2.0Max	3.0±0.3	1.6±0.3

Electrical Characteristics For HI0620 Series

Part Number	Inductance L0 [uH] (±20%) @0A	DCR [mΩ]		Heat Rating Current (Irms) [A] (Max.)	Saturation Current (Isat) [A] (Max.)
		(Typ.)	(Max.)		
HI0620-R10M	0.1	2.0	2.5	16.0	30.0
HI0620-R33M	0.33	5.2	6.8	10.0	20.0
HI0620-R47M	0.47	7.3	8.4	9.0	15.0
HI0620-R68M	0.68	10.8	12.7	7.5	14.0
HI0620-1R0M	1	23.0	27.0	6.5	10.0
HI0620-2R2M	2.2	44.0	48.0	5.0	8.0
HI0620-3R3M	3.3	76.0	80.0	3.5	7.5
HI0620-4R7M	4.7	95.0	103.0	2.5	4.0
HI0620-6R8M	6.8	120.0	130.0	1.8	3.0

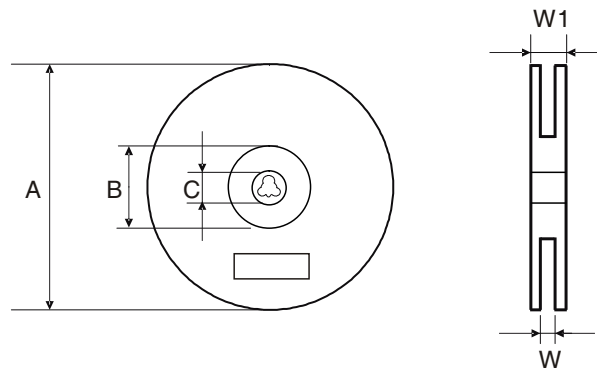
- Inductance tested at 100kHz, 1.0Vrms, 0.0Adc
- Heat Rating Current (Irms): Current that cause the temperature 40°C rise from 25°C
- Saturation Current (Isat): DC current at which the inductance drops 30% from its value without current

▶ Tape & Reel Specifications:



Unit: mm

Type	Dimension	W	P	P1	P2	H	T
	Tolerance	±0.3	±0.1	±0.1	±0.1	±0.15	±0.05
HI0620		16.0	12.0	4.00	2.00	2.10	0.35



Unit: mm

Type	Dimension	QTY Per Reel	A	B	C	W	W1
	Tolerance	Pcs	±2.0	min	±0.5	±0.5	±3.0
HI0620		1500	330	100	13.5	16.4	22.4