

Features

- Low cost, high performance
- reduce height to under 19.0mm
- Flammability corresponding to UL94V-0

Applications

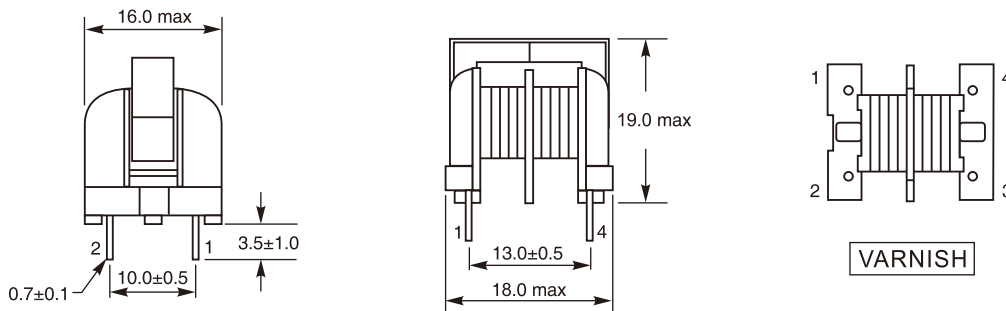
- Mains filter, Lighting
- Compact switched-mode power supplies
- Electronic ballast applications (LED bulb)

General Specifications

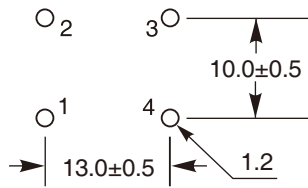
- Storage temp range: -40°C to +125°C
- Operating temp range: -40°C to +125°C



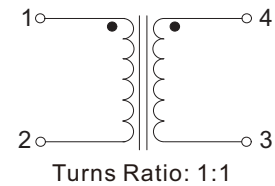
► Shape and Dimensions (Unit:mm)



► Suggested PCB Layout



► Schematic



► Electrical Specifications @ 25°C

Part Number	Inductance [mH] 1-2/4-3 (min)	DCR [Ω] (max)	Rated Current [A]	Rated Voltage [Vac]	Insulation Resistance [M Ω] (min)
UU10.5H-152	1.5	0.15	2.0	300	100
UU10.5H-182	1.8	0.18	1.7	300	100
UU10.5H-222	2.2	0.22	1.5	300	100
UU10.5H-302	3.0	0.26	1.3	300	100
UU10.5H-352	3.5	0.32	1.2	300	100
UU10.5H-552	5.5	0.46	1.0	300	100
UU10.5H-742	7.4	0.64	0.8	300	100
UU10.5H-103	10	0.86	0.7	300	100
UU10.5H-123	12	1.20	0.6	300	100
UU10.5H-203	20	1.80	0.5	300	100
UU10.5H-303	30	2.70	0.4	300	100
UU10.5H-363	36	3.50	0.3	300	100
UU10.5H-433	43	4.00	0.3	300	100

- Inductance tested at 1kHz
- Hi-pot: AC1500V/5mA/2S (N1-N2)
- Rated Current: The DC current at which the temperature rise is 40°C