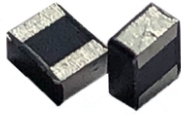


SMD High Current Power Inductor - HI201610P Series *Meisongbei*



Features

- 2.0mmx1.6mmx1.0mm Shielded
- Inductance Range: 0.24uH - 2.2uH
- Current Range: 1.5A - 5.05A
- Frequency range up to 1MHz

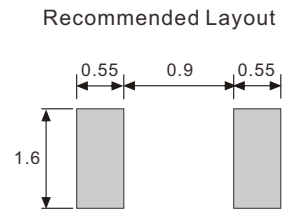
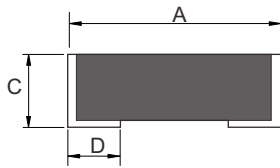
General Specifications

- Storage temp range: -50°C to +125°C
- Operating temp range: -40°C to +125°C

Application

- PDA, notebook, desktop, and server applications.
- Low profile, high current power supplies
- Battery powered devices
- DC/DC converters in distributed power systems

▶ Dimensions & Configurations (Unit:mm)



Type	A	B	C	D
HI201610P	2.0±0.2	1.6±0.2	1.0Max	0.5±0.3

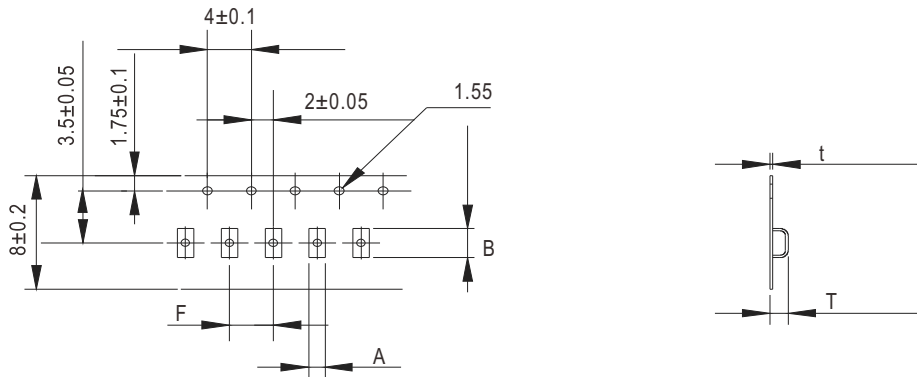
▶ Electrical Characteristics For HI201610P Series

Part Number	Inductance L0 [uH] (±20%)	DCR [mΩ]		Heat Rating Current (Irms) [A] (Max.)	Saturation Current (Isat) [A] (Max.)
		(Typ.)	(Max.)		
HI201610P-R24M	0.24	17	21	4.50	5.05
HI201610P-R33M	0.33	24	29	3.69	4.50
HI201610P-R47M	0.47	33	40	3.15	4.00
HI201610P-R68M	0.68	41	49	3.06	3.33
HI201610P-1R0M	1.0	60	69	2.26	2.61
HI201610P-1R5M	1.5	114	137	1.65	2.25
HI201610P-2R2M	2.2	135	150	1.50	1.71

- Inductance tested at 1MHz
- Heat Rating Current (Irms): Current that cause the temperature 40°C rise from 25°C
- Saturation Current (Isat): DC current at which the inductance drops 30% from its value without current

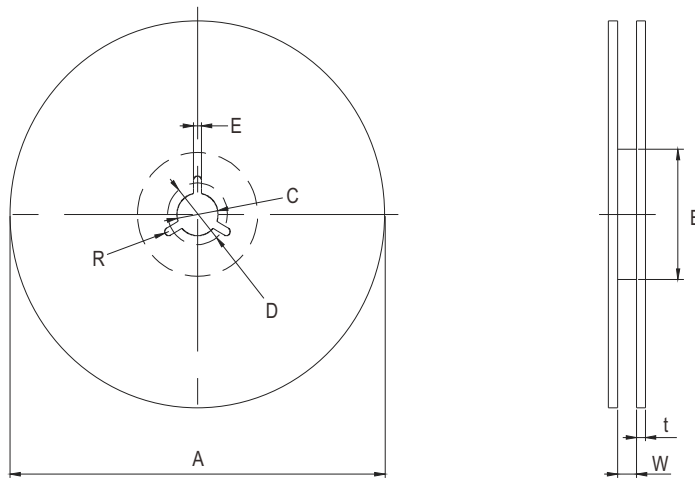
SMD High Current Power Inductor - HI201610P Series *Meisongbei*

▶ Tape & Reel Specifications:



Unit: mm

Type	Dimension	A	B	F	T	t
	Tolerance	± 0.1	± 0.1	± 0.1	± 0.1	± 0.05
HI201610P		1.80	2.20	4.00	1.15	0.22



Unit: mm

Type	Dimension	QTY Per Reel	A	B	C	D	E	W	t
	Tolerance	Pcs	± 2	± 2	± 0.8	± 0.8	± 0.5	± 1.5	± 0.5
HI201610P		3000	178	60	13	21.0	2	9	2