



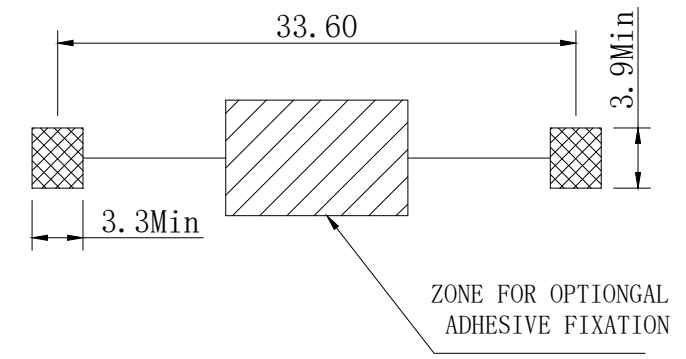
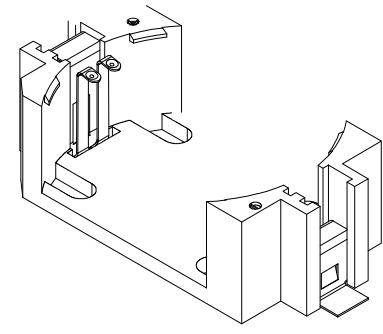
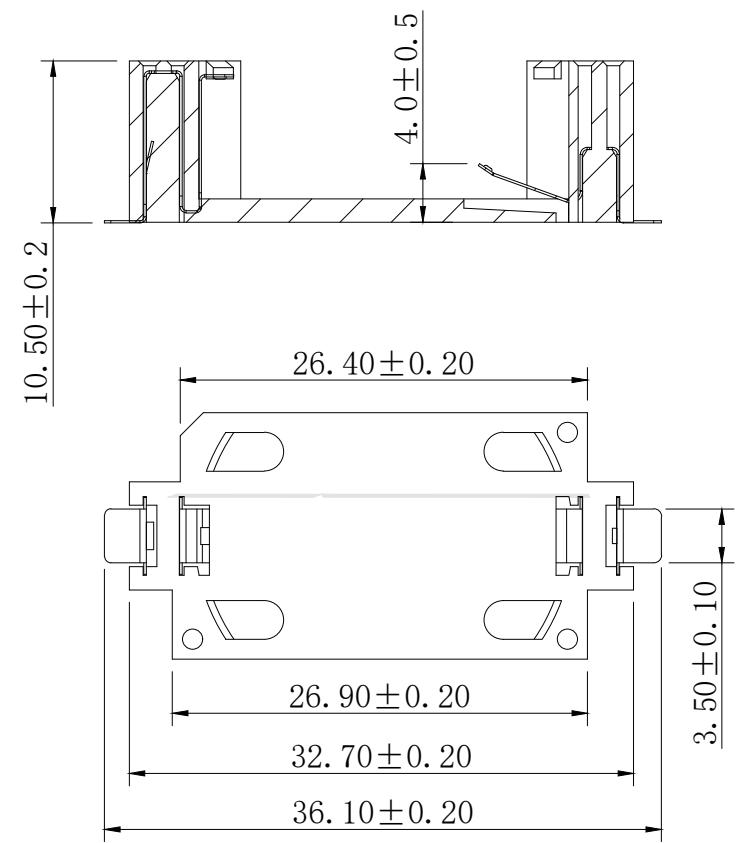
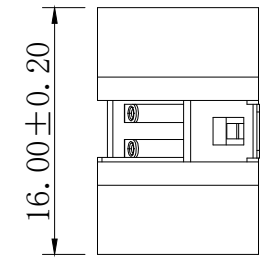
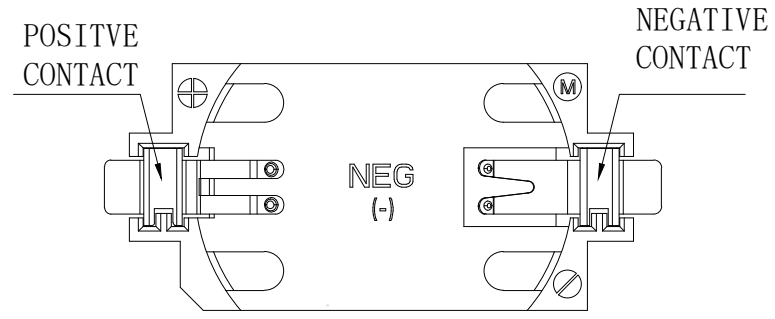
NOTES:  
 1, BASE"  
 MAT' L: GLSAA FILED LCP UL 94V-0  
 2, CONTACTS:  
 MAT' L: 0.15mm TH'K PHOSPHOR BRONZE  
 FINISH: 1 u" GOLD FLASH, OVER NICKEL PLATE

△ 3.250 PCS per reel

Order code:

BT — M — G0 — R — CR2477A  
 ① — ② — ③ — ④ — ⑤

- ① BT: Coin Cell Holders
- ② Appearance for the product  
M: SMT TYPE
- ③ Contact Plating  
SN: Tin  
G0: Gold flash  
G1: 3U" Gold  
G2: 5U" Gold  
G3: 10U" Gold  
G4: 15U" Gold  
G5: 30U" Gold
- ④ Packing method  
A: Tray packing  
R: Tape & reel packing
- ⑤ Product number  
CR2477A



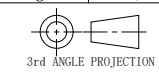
X. ±0.35 X.XX: ±0.20	
X.X: ±0.25 X.XXX: ±0.15	
SCALE: As Shown	UNIT: mm
DRAW Mo Guo Xuan	DATE 03/15/2019
CHECK BobYang	DATE 03/15/2019



TITLE: Coin Cell Holders For CR2477

DRAWING NO: BT-M-G0-R-CR2477A

PRODUCT NO: BT-M-G0-R-CR2477A



REV	△ Add packing information	22/03/2022
	DESCRIPTION	DATE