

# SMD High Current Power Inductor - HI322512P Series *Meisongbei*



## Features

- 3.2mmx2.5mmx1.2mm Shielded
- Inductance Range: 0.47uH - 6.8uH
- Current Range: 2.1A - 7.0A
- Frequency range up to 1MHz

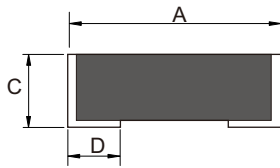
## General Specifications

- Storage temp range: -50°C to +125°C
- Operating temp range: -40°C to +125°C

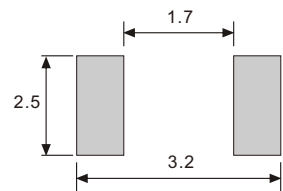
## Application

- PDA, notebook, desktop, and server applications.
- Low profile, high current power supplies
- Battery powered devices
- DC/DC converters in distributed power systems

## ► Dimensions & Configurations (Unit:mm)



Recommended Layout



Type	A	B	C	D
HI322512P	3.2±0.2	2.5±0.2	1.2Max	0.6±0.2

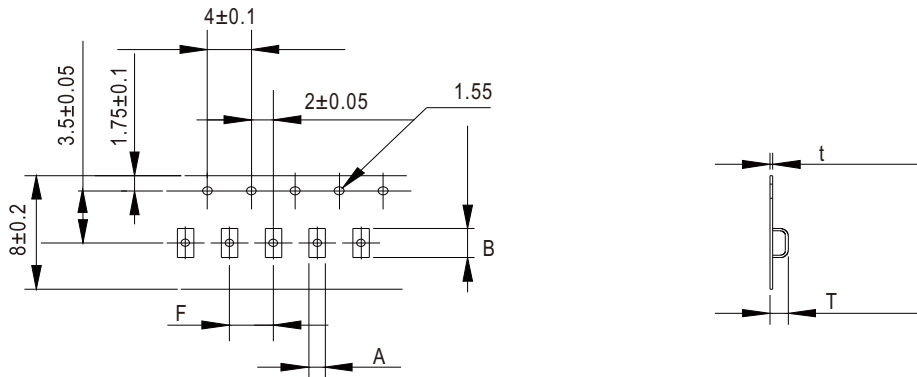
## ► Electrical Characteristics For HI322512P Series

Part Number	Inductance L0 [uH] (±20%) @0A	DCR [mΩ]		Heat Rating Current (I <sub>rms</sub> ) [A]		Saturation Current (I <sub>sat</sub> ) [A]	
		(Typ.)	(Max.)	(Typ.)	(Max.)	(Typ.)	(Max.)
HI322512P-R47M	0.47	15	19	7.7	7.0	5.8	5.2
HI322512P-R68M	0.68	16	20	6.2	5.8	5.3	4.7
HI322512P-1R0M	1.0	25	32	5.5	5.0	4.9	4.4
HI322512P-2R2M	2.2	60	72	4.0	3.5	3.0	2.7
HI322512P-4R7M	4.7	150	168	2.8	2.4	1.7	1.4
HI322512P-6R8M	6.8	190	210	2.4	2.1	1.5	1.2

- Inductance tested at 1MHz, 1.0Vrms, 0.0Adc
- Heat Rating Current (I<sub>rms</sub>): Current that cause the temperature 40°C rise from 25°C
- Saturation Current (I<sub>sat</sub>): DC current at which the inductance drops 30% from its value without current

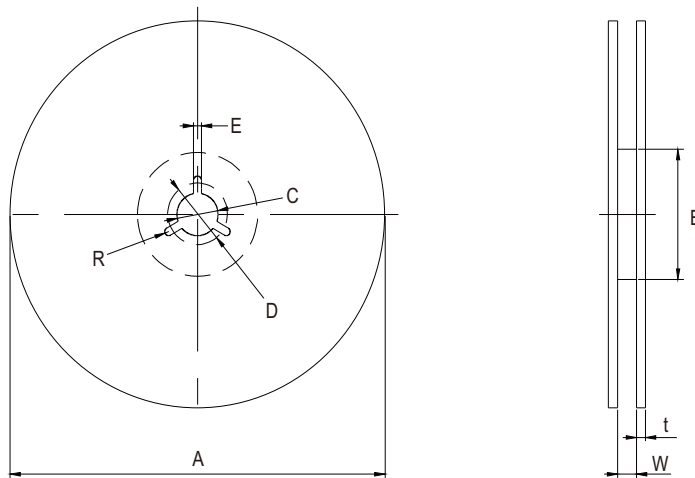
# SMD High Current Power Inductor - HI322512P Series *Meisongbei*

## ▶ Tape & Reel Specifications:



Unit: mm

Type	Dimension	A	B	F	T	t
	Tolerance	$\pm 0.1$	$\pm 0.1$	$\pm 0.1$	$\pm 0.05$	$\pm 0.05$
HI322512P		2.80	3.45	4.00	1.35	0.23



Unit: mm

Type	Dimension	QTY Per Reel	A	B	C	D	E	W	t
	Tolerance	Pcs	$\pm 2$	$\pm 2$	$\pm 0.8$	$\pm 0.8$	$\pm 0.5$	$\pm 1.5$	$\pm 0.5$
HI322512P		3000	178	60	13	21.0	2	10	2