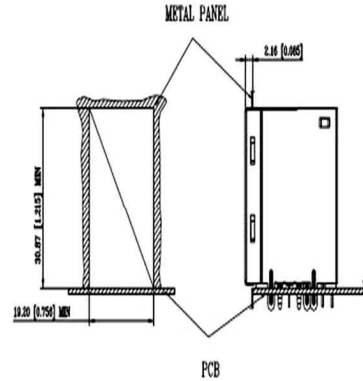


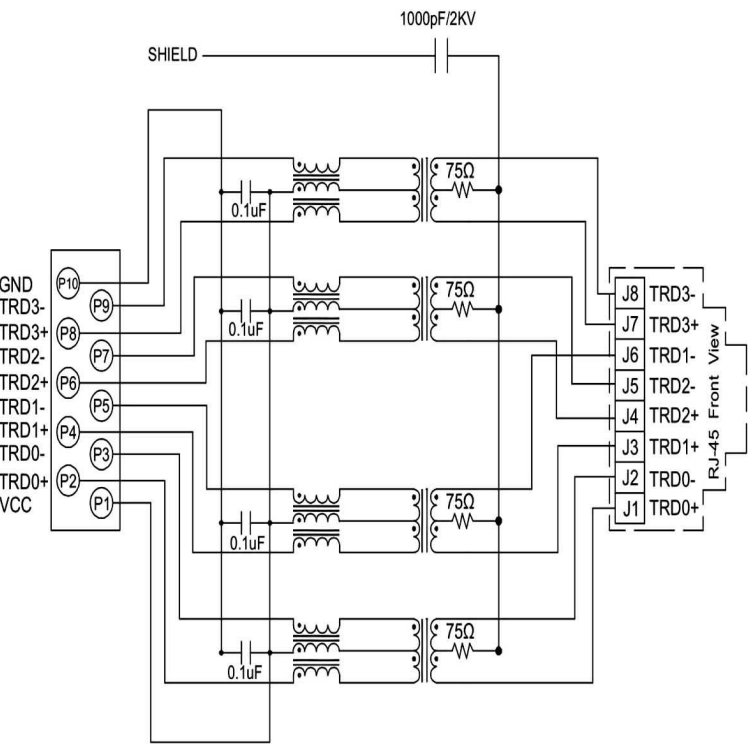
UNIT : mm / inch  
 A = 18.95 / 0.746  
 B = 30.87 / 1.215  
 C = 27.46 / 1.081  
 D = 3.20 / 0.126

Suggested Panel Opening:

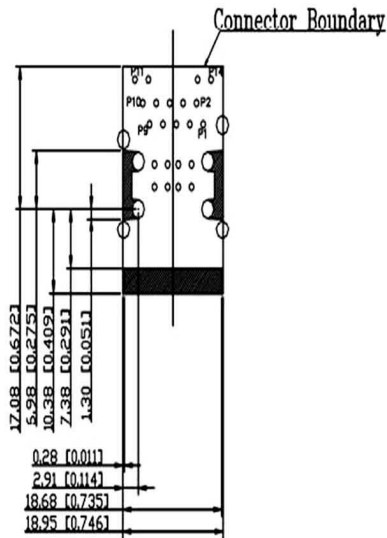


Plug In Side

PCB Top View

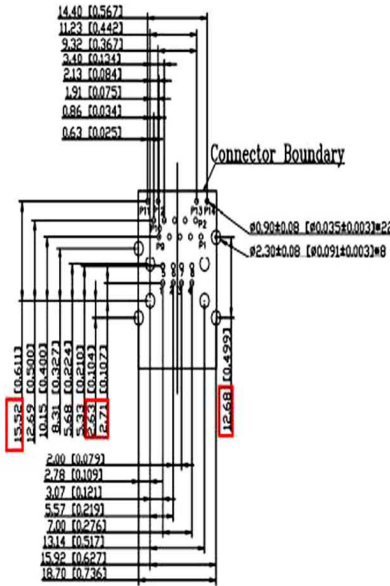


Keep-Out Area (Component Side View):



Plug In Side

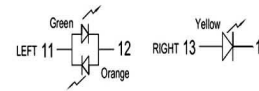
Recommended PWB Layout (Component Side View):



Plug In Side

Standard LED	Wavelength	Forward*V(MAX)	TYP
Green	565nm	2.5v	2.2v
Yellow	585nm	2.5v	2.1v
Orange	610nm	2.5v	2.1v

With a forward current of 20mA



RoHS Compliant		HSM 玄茂科技股份有限公司 HSUAN MAO TECHNOLOGY CO., LTD.	
APPD. 核准	SCALE 比例 参考	TOLERANCE 容許公差 .0 ± 0.30 .00 ± 0.20 ANG. ± 3°	PART NAME 品名 RJ45 1000BASE-TX JACK+DUAL USB 2.0 VER. COMBO WITH LED(LEFT:GREEN & ORANGE,RIGHT:YELLOW) SELECTIVE GOLD 6U" PLATING BLACK COLOR TRAY PACKING ROHS
DWG. 製圖 Betty	UNIT 單位 M M	SIZE. 紙張尺寸 A 4	PART NO. 料號 C9999-10203DY2R
DATE 制表日 2018/04/03	PAGE 張數 1 OF 4	REV. 版次 A	

## ELECTRICAL SPECIFICATIONS@25°C:

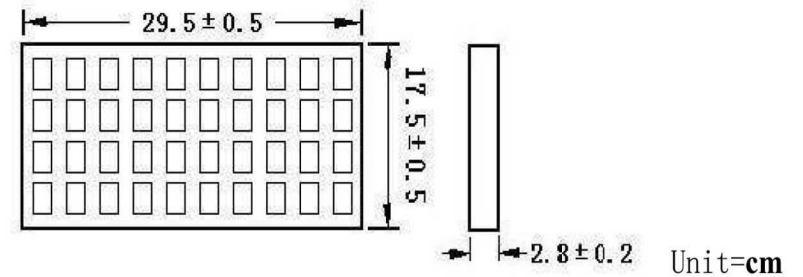
1. Turn Ratio( $\pm 5\%$ ): 1CT:1CT
2. OCL(100KHz/0.1V@ 8mA): 350uH MIN
3. Insertion Loss (dB MAX): -1.0dB(1-65MHz)
4. Return Loss (dB TYP): -20dB(1-10MHz),-16dB(30MHz),-12dB(60-80MHz)
5. Cross Talk (dB MIN): -40dB(1-10MHz),-35dB(32-60MHz),-30dB(60-100MHz)
6. CMR (dB TYP): -30dB(1-50MHz),-20dB(50-130MHz)
7. HI-POT(Pri to Sec) : 1500Vrms/0.5mA/60Sec or 1650Vrms/0.5mA/2Sec
8. Operating Temperature: 0°C ~+70°C

## Mechanicals:

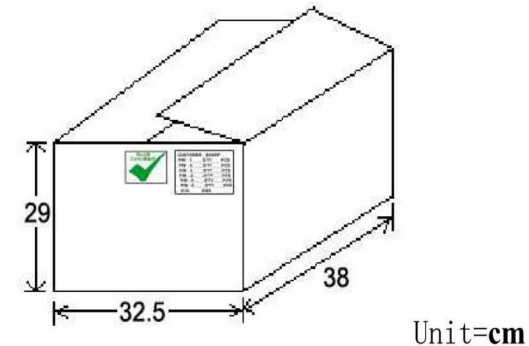
1. CONNECTOR MATERIAL:
  - 1.1 RJ45  
HOUSING:PBT BLACK UL94 V-0  
SHIELD: Brass  
CONTACT:PHOSPHOR BRONZE  
CONTACT PLATING: SELECTIVE GOLD,6 MICRO-INCHS MIN IN CONTACT AREA
  - 1.2 USB2.0  
CONTACT:PHOSPHOR BRONZE  
CONTACT PLATING: SELECTIVE GOLD,6 MICRO-INCHS MIN IN CONTACT AREA
2. PIN NOT ELECTRICALLY CONNECTED MAYBE OMITTED SEE ELECTRICAL DRAWING FOR OMITTED PINS
3. RJ45 CAVITIES CONFORM TO FCC RULES AND REGULATION PART 68.
4. OPERATING TEMPERATURE T=0° C TO +70° C.
5. STORAGE TEMPERATURE T=-40° C TO +85° C.

## 六、Packaging

1. packaging unit : 40 PCS/tray
2. packaging material : PET

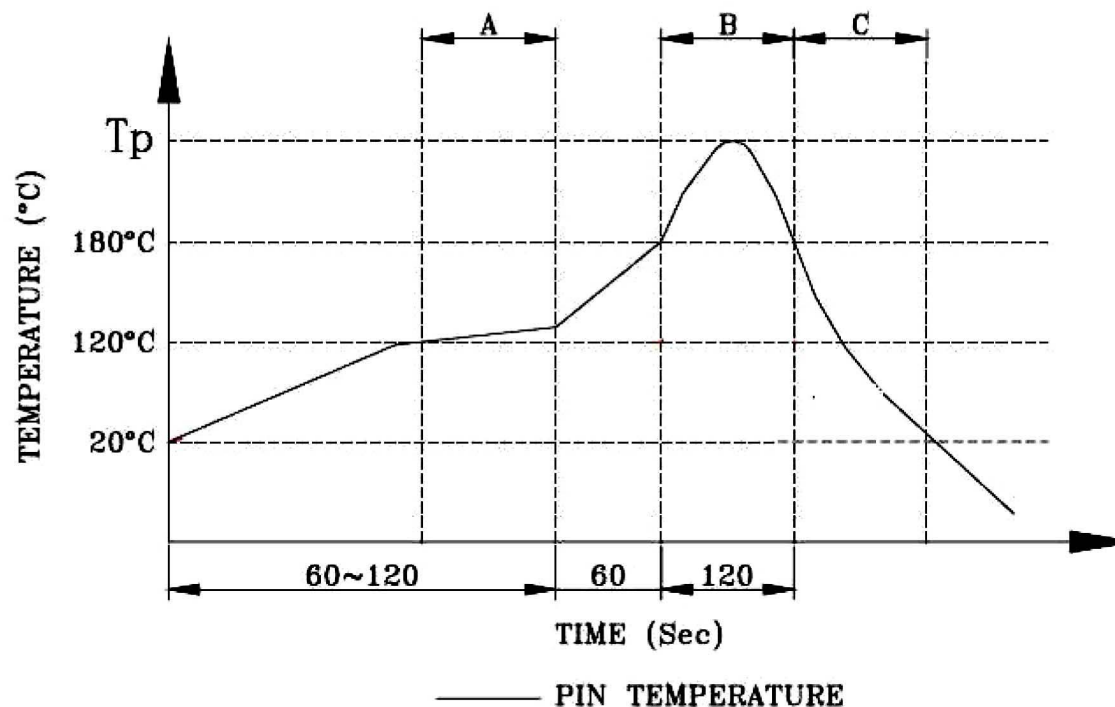


3. outer carton unit: 560 pcs/ 14 Trays/box



RoHS Compliant		HSM 玄茂科技股份有限公司 HSUAN MAO TECHNOLOGY CO., LTD.	
APPD. 核准		TOLERANCE 容許公差	PART NAME 品名
DWG. 製圖	Betty	SCALE 比例 參考	RJ45 1000BASE-TX JACK+DUAL USB 2.0 VER. COMBO WITH LED(LEFT:GREEN & ORANGE,RIGHT:YELLOW) SELECTIVE GOLD 6U" PLATING BLACK COLOR TRAY PACKING ROHS
DATE 制表日	2018/04/03	UNIT 單位 M M	PART NO.
		PAGE 張數 2 OF 4	料號 C9999-10203DY2R
		REV. 版次 A	

# PROFILE OF WAVE SOLDER

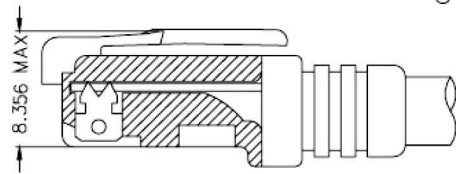
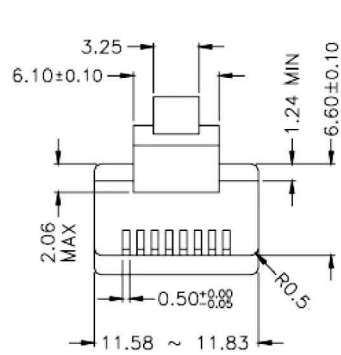


## SUGGESTED WAVE SOLDER CURVE

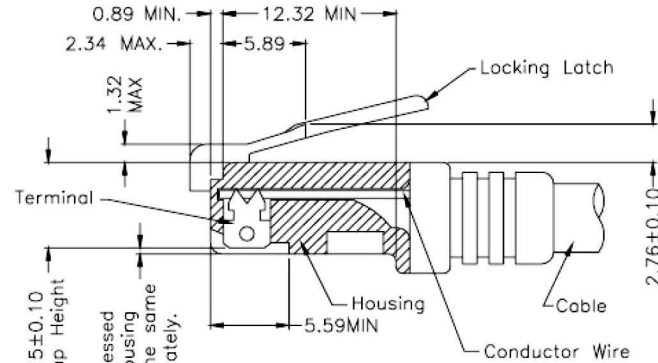
1. Peak temperature( $T_p$ ) :  $250 \pm 10^\circ\text{C}$
2. Peak temperature( $T_p$ ) time : 10sec max

RoHS Compliant		HSM 玄茂科技股份有限公司 HSUAN MAO TECHNOLOGY CO., LTD.	
APPD. 核准		TOLERANCE 容許公差	PART NAME 品名
DWG. 製圖	Betty	SCALE 比例 參考	RJ45 1000BASE-TX JACK+DUAL USB 2.0 VER. COMBO WITH LED(LEFT:GREEN & ORANGE,RIGHT:YELLOW) SELECTIVE GOLD 6U" PLATING BLACK COLOR TRAY PACKING ROHS
DATE 制表日	2018/04/03	UNIT 單位 M M	PART NO.
		PAGE 張數 3 OF 4	料號 C9999-10203DY2R
		REV. 版次 A	

# RJ PLUG SPECIFICATION



FOLLOW SPECIFICATION : FCC, PART 68, SUBPART F  
FIGURE 68.500 (C)(2)(ii)

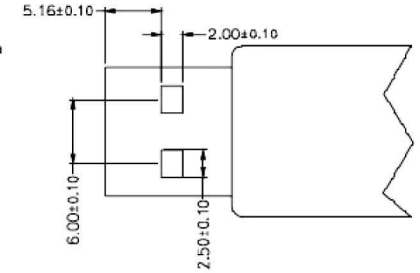
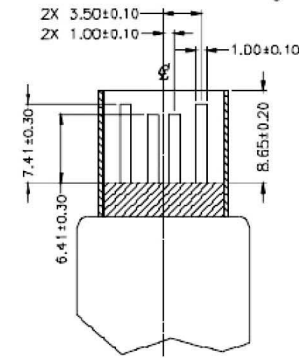
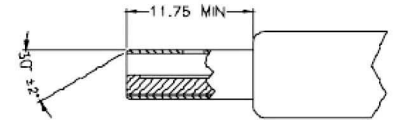
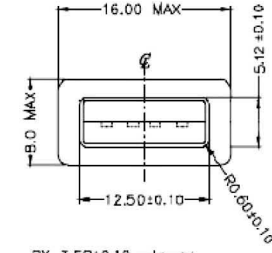


All contacts recessed below top of housing and must be at the same height approximately.

FOLLOW SPECIFICATION : FCC, PART 68, SUBPART F FIGURE 68.500 (C)(2)(i) AND IEC 603-7 FIGURE 23 & 24

STANDARD MODULAR PLUG ASSEMBLY

# USB PLUG SPECIFICATION



RoHS Compliant		HSM 玄茂科技股份有限公司 HSUAN MAO TECHNOLOGY CO., LTD.	
APPD. 核准		TOLERANCE 容許公差	PART NAME 品名
DWG. 製圖	Betty	SCALE 比例	RJ45 1000BASE-TX JACK+DUAL USB 2.0 VER. COMBO WITH LED(LEFT:GREEN & ORANGE,RIGHT:YELLOW) SELECTIVE GOLD 6U" PLATING BLACK COLOR TRAY PACKING ROHS
DATE 制表日	2018/04/03	UNIT 單位	PART NO.
		PAGE 張數	料號
		4 OF 4	C9999-10203DY2R
		REV. 版次	
		A	