

SPECIFICATION FOR APPROVAL

CUSTOMER : MT-Systems

CUSTOMER P/N : CT006P-B3

SME P/N : MCT06B-6A2K

EDITION : A.0

DATE : 2023-08-29

DRAWING		
MADE	CHECK	APPROVAL
Liu Hen	Li Shuo	Wang Bin

CUSTOMER APPROVE

SHANGHAI MEISONGBEI ELECTRONICS CO.,LTD

Add: No.3891 Jinxiu Road, Pudong New District, Shanghai, China

Tel:+86-21-62883517 Fax:+86-21-62883519

Http://www.meisongbei.com

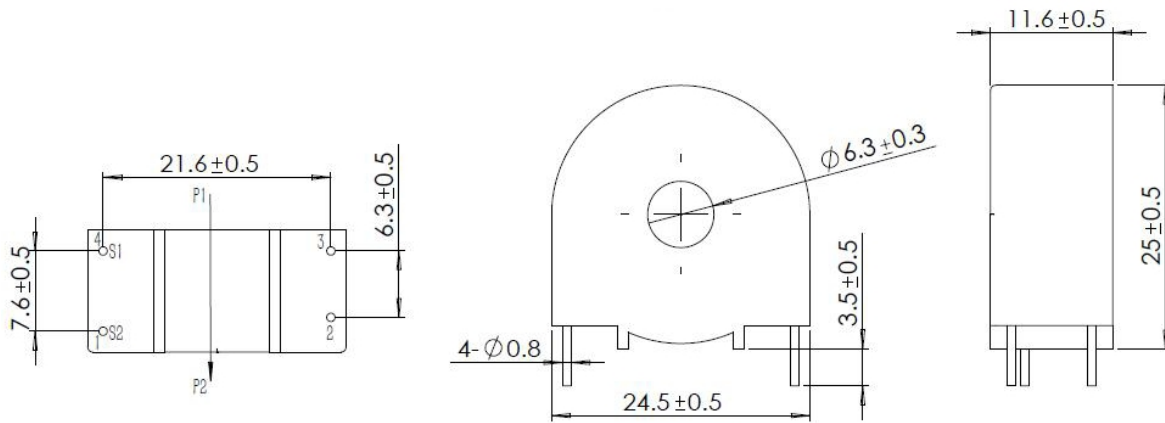
E-mail:sales@meisongbei.com

SPECIFICATION FOR APPROVAL

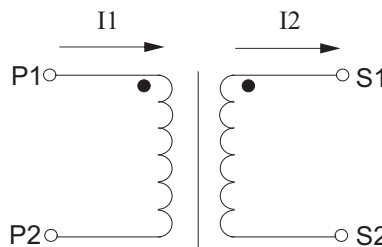
Customer: MT-Systems
 Customer P/N: CT006P-B3
 SME P/N: MTC06B-6A2K
 Date: 2023-08-29



A Dimension:Unit(mm)



B Schematic:



C Electrical Specifications:

Working environment	Working Temperature	-40°C~+80°C	storage temperature	-40°C~+80°C
	humidity	<=90%	Pressure condition	Normal pressure
Electrical Characteristics	Rated Current	6A or 20A	Turns ratio	1:2000
	Output Voltage U_B	$U_B=300mV \pm 6mV @ AC50Hz, I_{max}=6A, R_B=100\Omega$		
		$U_B=300mV \pm 6mV @ AC60Hz, I_{max}=20A, R_B=30\Omega$		
Operation Frequency	50/60Hz	Electrical Strength	4000VAC/60S	
Mechanical Parameters	Outer case	PBT	Potting	epoxy resin

Made	Liu Hen	Checked	Li shuo	Approved	Wang Bin
------	---------	---------	---------	----------	----------

Shanghai Meisongbei Electronics Co.,Ltd.

Add: No.3891 Jinxiu Road, Pudong New District, Shanghai, China Tel:+86-21-62883517 Fax:+86-21-62883519
 Http://www.meisongbei.com