

产品规格承认书
SPECIFICATION FOR APPROVAL

客戶名稱 CUSTOMER	
產品名稱 PRODUCT NAME	汽车插片保险丝
型號規格 MODEL DETAIL	MINI
承認日期 APPROVAL DATE	

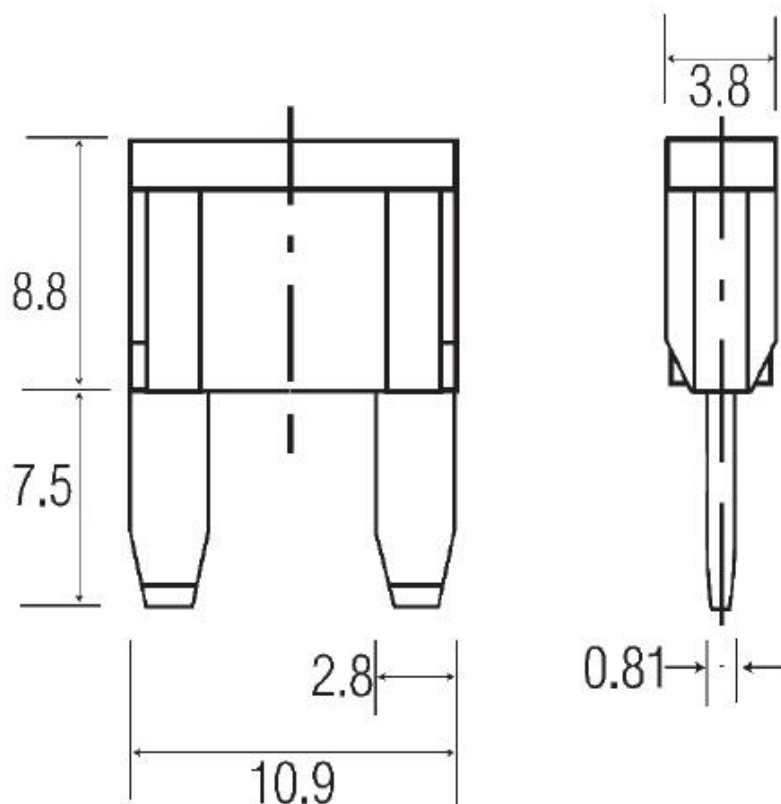
編制	經理	業務
PREPARED	MANAGER	OPERATION

承認	審核	批准
SIGNATURE	CHECKED BY	APPROVAL BY

備註:承認簽章後請回復一份承認書(或影本)給我們,其餘的您們留作存檔。如果在簽章的承認(或影本)回復給我們之前,下了有關此零件的訂單且又無特別說明,那麼我們就確定您們已完全承認了。

Please return one specification or one copy of it with your chop and signature of approval and retain the others for your record. In the event of an order being placed for this part number before the chop and signed with specification (or copy) is returned and without special explanation, it will be assumed that full approval have been given.

尺寸 Dimensions (mm)



注：尺寸单位Unit: mm, 误差 Tolerance ± 0.4 mm

规格

额定电压: 32 VDC
工作温度范围: $-40^{\circ}\text{C} + 125^{\circ}\text{C}$
接线端子: 锡镀锌合金
外壳材料: PC
符合: 符合 SAE J2077
ISO 8820
UL 248 专用熔断器

Specifications

Voltage Rating: 32 VDC
Operating Temperature Range: -40°C to $+125^{\circ}\text{C}$
Terminals: Tin plated zinc alloy
Housing Materials: PC
Complies with: Meets SAE J2077
ISO 8820
UL 248 Special Purpose Fuses

东莞市瑞迈电子有限公司
Dongguan REOMAX Electronics CO.,LTD

电流时间特性 Time-Current Characteristics:

% of Rating	Opening Time	
	MINI	MAX
110	4H	/
135	0.75S	10m
200	0.15S	5S
350	0.080S	0.250S
600	0.030S	0.100S

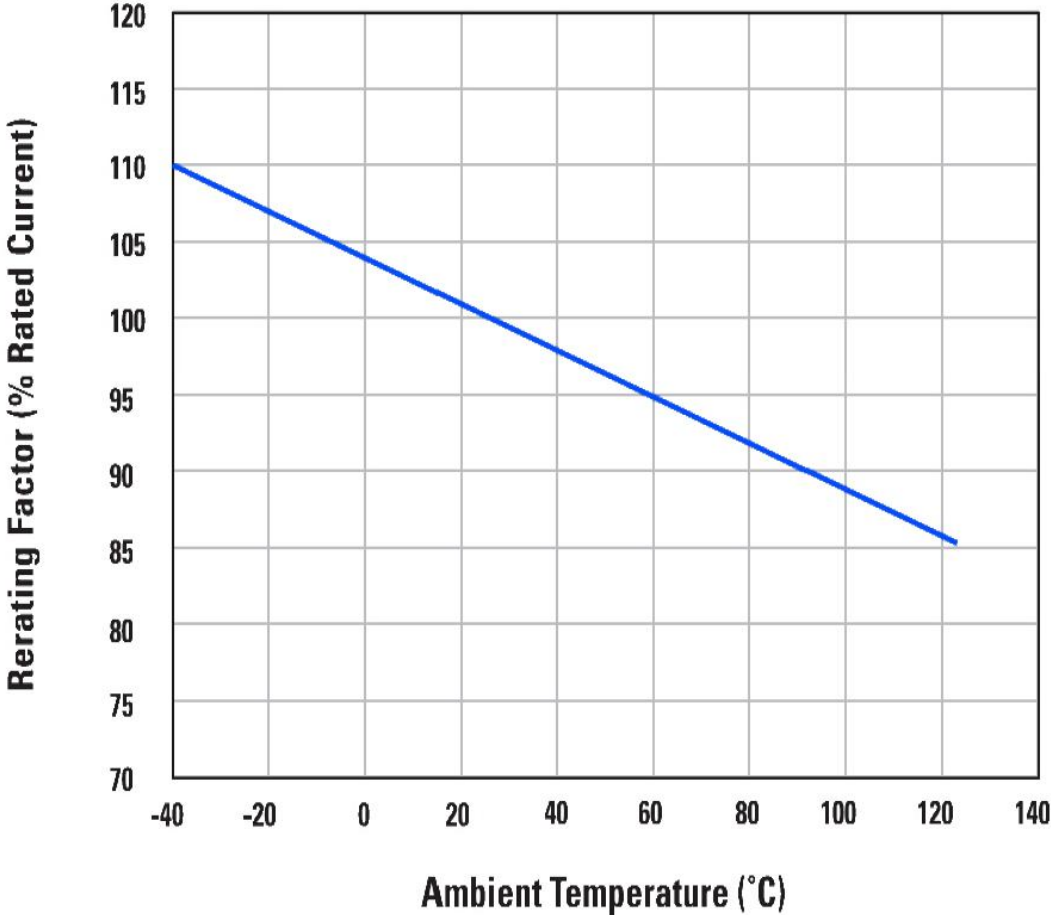
Part Number	Current Rating	Voltage Rating (VDC)	Typ. Voltage Drop	Cold Resistance	I ² t	Housing Color
MINI-1	1A	32/48/58	176mV	60.88mΩ	9.7A ² s	Black
MINI-2	2A	32/48/58	171 mV	33.60mΩ	2.8A ² s	Tan
MINI-3	3A	32/48/58	153 mV	23.75mΩ	9.4A ² s	Purple
MINI-5	5A	32/48/58	129 mV	17.75mΩ	25A ² s	Orange
MINI-7.5	7.5A	32/48/58	135 mV	10.85mΩ	68A ² s	Tan
MINI-10	10A	32/48/58	108mV	7.82mΩ	93A ² s	Red
MINI-15	15A	32/48/58	98mV	4.58mΩ	270A ² s	Blue
MINI-20	20A	32/48/58	96mV	3.21mΩ	380A ² s	Yellow
MINI-25	25A	32/48/58	86mV	2.36mΩ	625A ² s	Natural
MINI-30	30A	32/48/58	87mV	1.85mΩ	1130A ² s	Green
MINI-35	35A	32/48/58	85mV	1.5mΩ	1430A ² s	Purplish red

注：冷电阻为参考值，误差在±6%

温度评估曲线

Temperature Rerating Curve

Temperature Rerating Curve



时间-电流特性曲线

Time-Current Characteristic Curves

