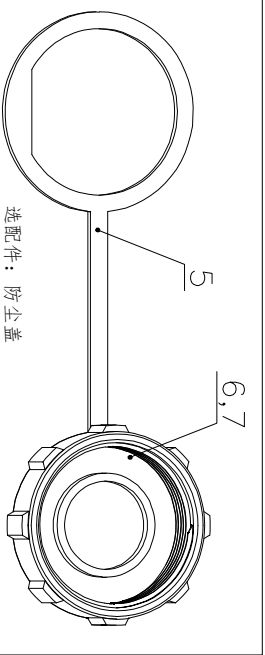
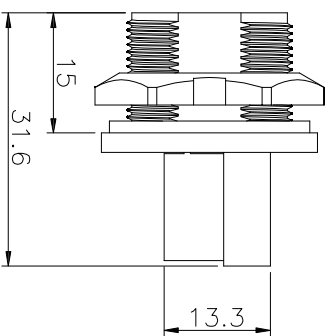


产品开孔尺寸



选配件：防尘盖
Option: dust cover

(Technical specifications):

transmission rate	CAT5E/6A , According to TIA or EIA 568B, According to ISO/IEC 11801
Degree of protection	IP67
Contact resistance	≤20mΩ
Insulation resistance	≥500MΩ at DC500V
Withstand voltage	≥AC 1000V/1 minute
Salt spray corrosion	48 hours
POE:	60W / 2A

No.	Specification	Material	Treat	Unit	Q'ty
7	E13 防尘帽防水圈 19.6*1.5	硅胶	黑色	pc	1
6	E13 防尘帽防水圈 19.6*1.5	硅胶	黑色	pc	1
6	E13 螺牙防尘盖	塑胶	黑/蓝	pc	1
5	E13 Screw dust cover	塑胶	Black/blue	pc	1
5	E10 防尘帽插条	PP	黑色	pc	1
5	E10 Dust cap insert	PP	Black	pc	1
4	E13 法兰螺母	PA66	黑/蓝	pc	1
4	E13 flange nut	PA66	Black/blue	pc	1
3	E13 板前板后防水圈 24.8*1.5	硅胶	黑色	pc	1
3	E13 板前板后防水圈 24.8*1.5	硅胶	Black	pc	1
2	E13 防水圈前主体	PA66	黑色	pc	1
2	RJ45 Front mounting body	PA66	Black	pc	1
1	RJ45 双板口	RJ网口+PCB板	镀金	pc	1
1	RJ45 dual network port	RJ network port +PCB board	gold plated	pc	1

GENERAL TOLERANCE (UNLESS SPECIFIED)	DWN
≤10 ±0.1	CHK
<10~≤20 ±0.2	APVD
<20~≤50 ±0.5	Angle ±1°

THIRD ANGLE	UNIT	REV
	MM	A
	SIZE	SHEET
	A4	1 OF 1

深圳市敏锐连接器有限公司
Shenzhen Rigol Connector Co., Ltd

PART NO	RJ45-PM08-ST
DRAWING NO	