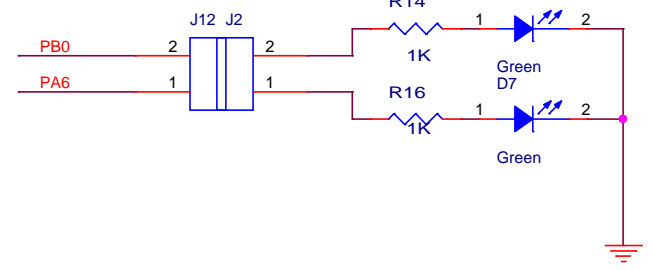
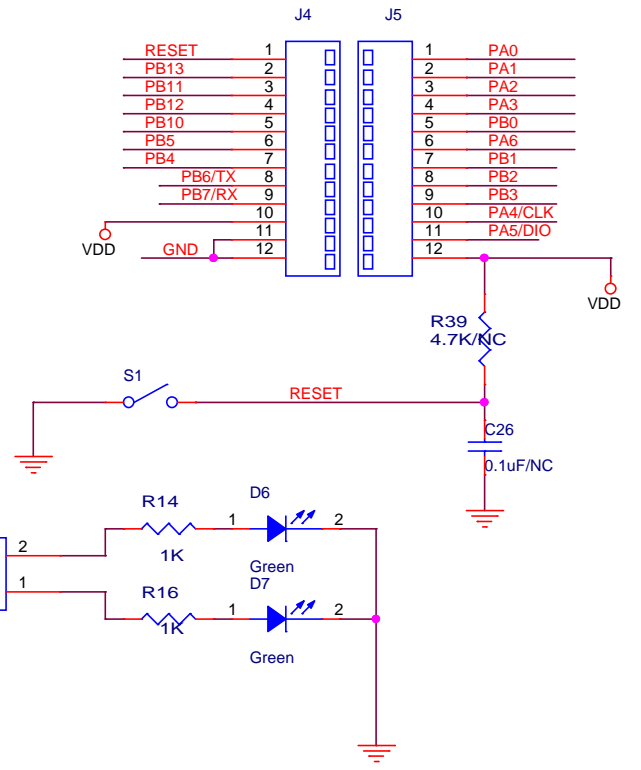
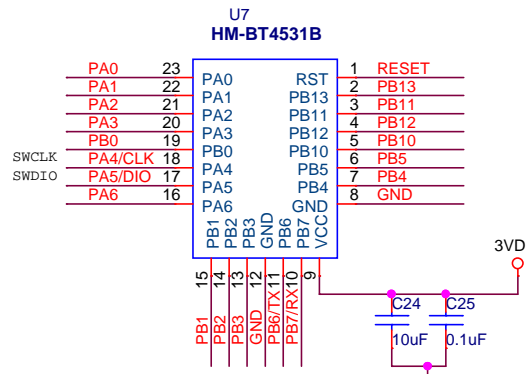
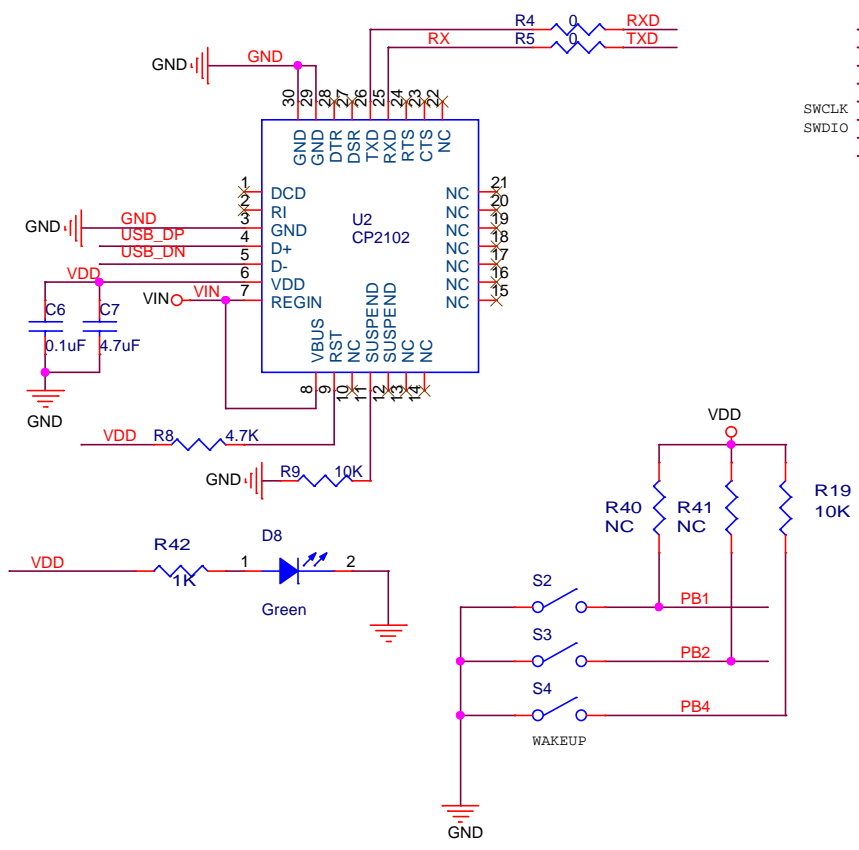
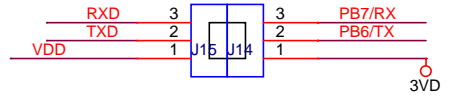
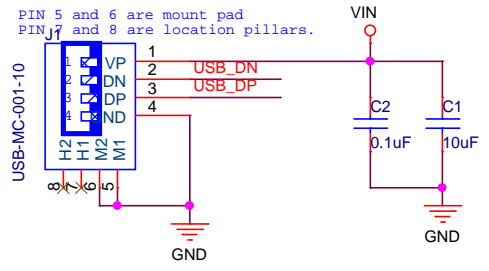


PIN 5 and 6 are mount pad
PIN 7 and 8 are location pillars.



深圳华普微电子有限公司		
Title		
HM-BT4531B Donge		
Size	Document Number	Rev
A4	1	1
Date:	Monday, June 26, 2023	Sheet 1 of 2