

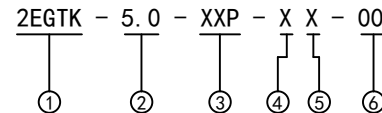
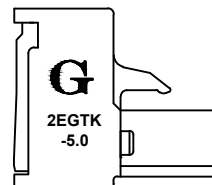
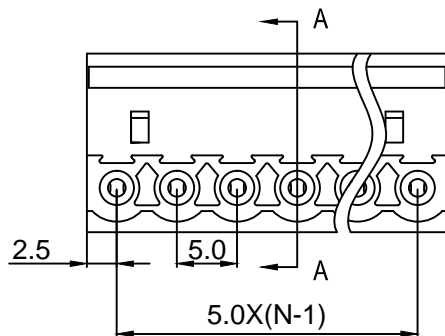
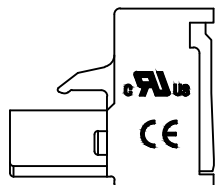
Material :

- (a) Housing : PA66(UL94V-0)
- (b) Cover : PA66(UL94V-0)
- (c) Contact : Phosphor Bronze
- (d) Cage : Brass , Ni Plated
- (e) Screws : Steel , Cr³⁺Zn Plated

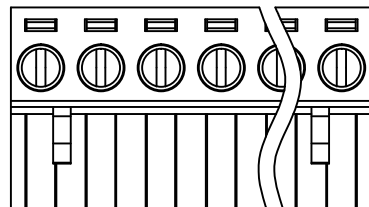
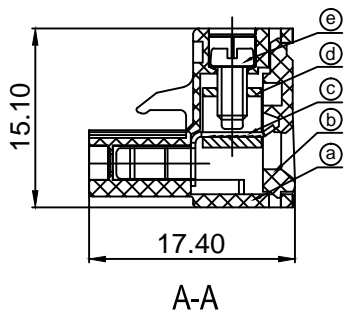
Electrical :

- | | | |
|------------------------------|------------------|--------------------|
| | UL | IEC |
| 1.Rated Voltage : | 300V | 320V |
| 2.Rated Current : | 15A | 20A |
| 3.Torque Value : | M2.5 , 3.54Lb.in | M2.5 , 0.4N.m |
| 4.Wire Range: | 28-12AWG | 2.5mm ² |
| 5.Stripping Length : | 7-8mm | |
| 6.Withstanding Voltage : | AC1600V/1Min. | |
| 7.Operating Temperature : | -40 °C~+105 °C | |
| 8.RoHS Compliance | | |
| 9.Safety Approval : | cULus | |
| 10.Undimensioned Tolerances: | | |

Pitch Range In mm		Nominal Dimension Range In mm				-	∩	∇
≤6	6 ~ 10	10 ~ 24	≤30	30 ~ 60	60 ~ 100	100 ~ 150	>150	0.05/10
±0.10	±0.15	±0.25	±0.20	±0.30	±0.50	±0.70	±1.00	±0.1°



- ① Series No.
- ② Pitch
- ③ Poles
02 02Contacts
03 03Contacts
...
24 24Contacts
- ④ 1 Single Pitch
2 Double Pitch
- ⑤ Color: 1 Grey
2 Blue
3 Black
4 Green(Standard For AH)
5 Orange
6 Red
7 Transparent
8 Yellow
9 White
- ⑥ Customer Request: 00--Standard M2.5



DETACHED LISTS	Grolten NINGBO GOLTEN ELECTRONICS CO., LTD.		宁波冠泰电子有限公司		
	APPD: MA_5/23/16'	CHKD: Yu_5/22/16'	PART NO. 2EGTK-5.0-XXP-XX-00		
	DRFT: Chen_5/21/16'	DRAWING NO.		REV	1
	 THIRD ANGLE PROJECTION		MM (INCH)	DO NOT SCALE DRAWING	SHEET
				SCALE	1/1