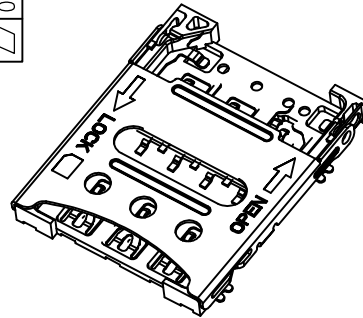
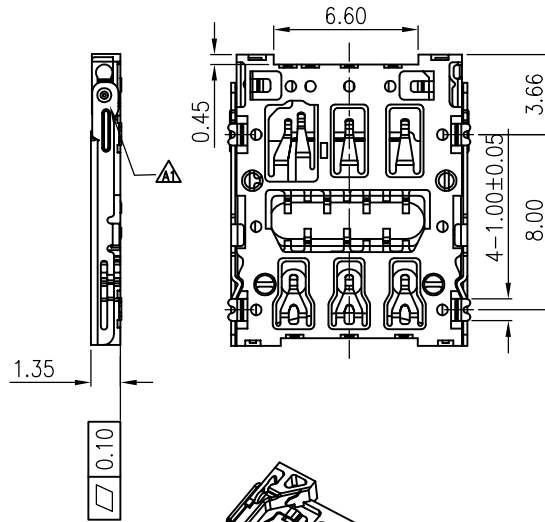
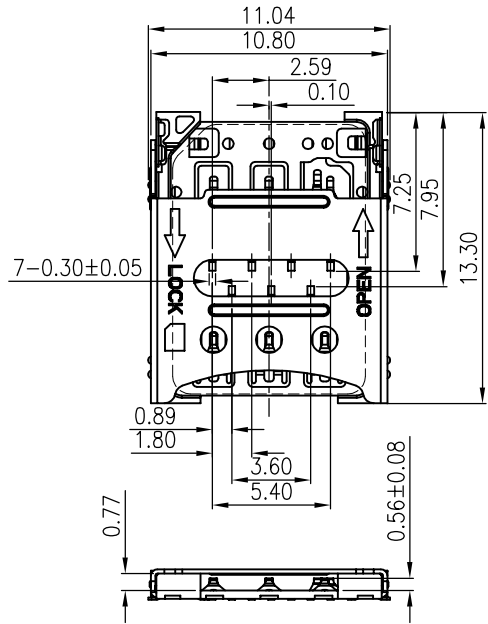
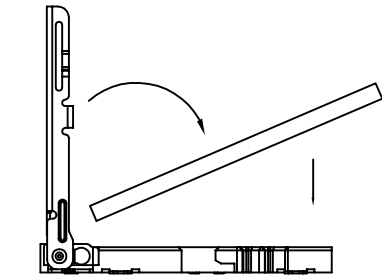


RoHS

REV.	EC#	DESCRIPTION	DATE	DRAWING	CHECKED	APPROVED
A0		NEW RELEASE	07/12'20	WRD	/	MOON
A0	ECN2109003	Changing shell structure	09/08'21	WRD	/	MOON



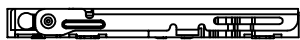
3D VIEW



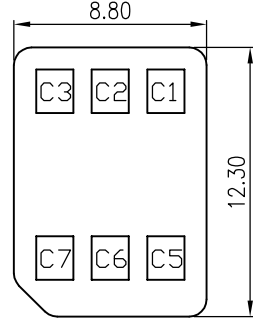
STEP 1 INSERT Nano-SIM CARD



STEP 2 PUSH THE SHELL



STEP 3 FINISH



NANO SIM CARD

NOTES:

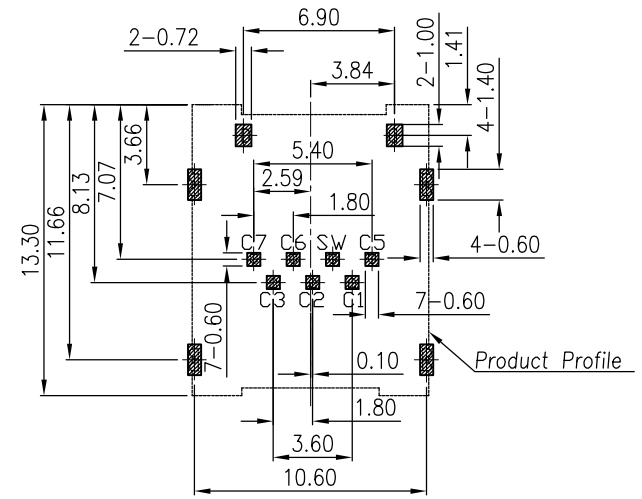
1.MATERIAL:

HOUSING: LCP UL94V-0, BLACK  
 CONTACT: C5191,30u" Ni UNDERPLATED OVERALL  
 G/F PALTED ON CONTACT AREA& SOLDER AREA  
 SHELL: SUS304,30u" Ni UNDERPLATED OVERALL  
 G/F PALTED ON SOLDER AREA

2.ELECTRICAL CHARACTERISTICS:

CONTACT RESISTANCE: 50mΩ MAX.  
 INSULATION RESISTANCE: 1000MΩ MIN.  
 DIELECTRIC WITHSTANDING VOLTAGE: 500V AC FOR 1 MINUTE

3.OPERATION TEMPERATURE:-40°C~+85°C



RECOMMENDED PCB LAYOUT  
 GENERAL TOLERANCE (.XX±0.05)

SIM CARD	
Pin No.	NAME
C1	VCC
C2	RST
C3	CLK
C5	GND
C6	VPP
C7	I/O
SW	DETECTION SWITCH

MILLIMETERS	INCH	UNITS				
X° ± 2'	X° ± 2'	MM	PART NUMBER: 102313872			
X ± 0.38	.XX ± 0.015	MAT'L				
.XX ± 0.25	.XXX ± 0.010	SEE NOTES	TITLE: 1.35H NANO SIM 掀盖内焊			
.XXX ± 0.15	.XXXX ± 0.006	FINISH				
THESE DRAWINGS AND SPECIFICATIONS ARE THE PROPERTY OF DongGuan JinBilai Metal Plastic Technology Co.,Ltd. COPIED OR USED IN ANY MANNER WITHOUT THE PRIOR WRITTEN CONSENT OF DongGuan JinBilai Metal Plastic Technology Co.,Ltd			APPD:			
			DWG NO.:			
			C-102313872-00			
			QTY	CHKD:	SCALE	SHEET
			SEE NOTES	DR:	1:1	1/2
			REV. A1			

RoHS

1 2 3 4 5

A

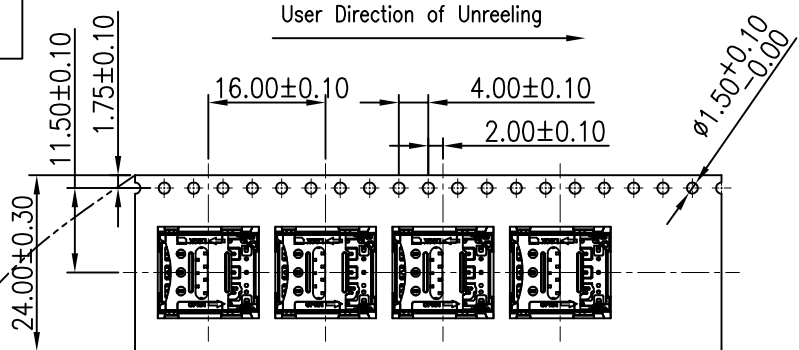
B

C

D

E

User Direction of Unreeling

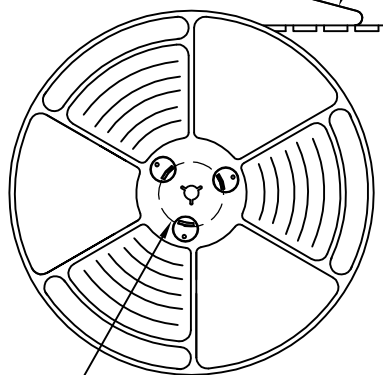
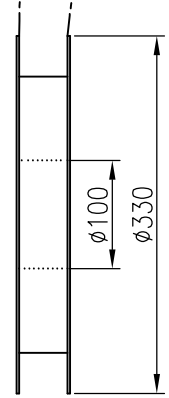


NOTES

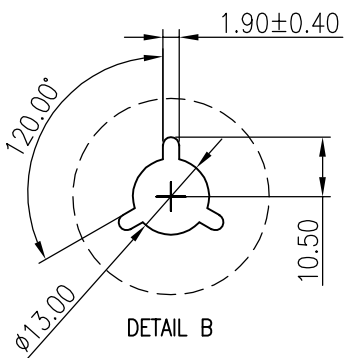
1. NUMBER OF CONNECTORS:1800PCS/REEL
2. LEAD TAPE LENGTH
3. QUANTITY:18000PCS/CARTON

COVER TAPE PEELING ANGLE:165°~180°  
PEELING FORCE:20~130g  
CARRIER TAPE

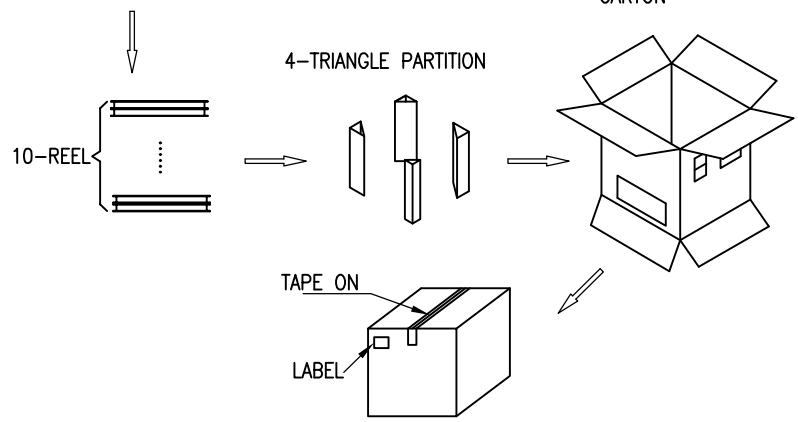
User Direction of Unreeling



DETAIL B



DETAIL B



MILLIMETERS	INCH	UNITS				
X° ± 2'	X° ± 2'	MM				
.X ± 0.38	.XX ± 0.015	MAT'L				
.XX ± 0.25	.XXX ± 0.010	SEE NOTES	PART NUMBER: 102313872		TITLE: 1.35H NANO SIM 掀盖内焊	
.XXX ± 0.15	.XXXX ± 0.006	FINISH	APPD:		DWG NO.:	
THESE DRAWINGS AND SPECIFICATIONS ARE THE PROPERTY OF DongGuan JinBilai Metal Plastic Technology Co.,Ltd. COPIED OR USED IN ANY MANNER WITHOUT THE PRIOR WRITTEN CONSENT OF DongGuan JinBilai Metal Plastic Technology Co.,Ltd			SEE NOTES		C-102313872-00	
			QTY		CHKD:	
			SEE NOTES		DR:	
					SCALE	SHEET
					1:1	2/2
					REV.	A1

1 2 3 4 5

A

B

C

D

E