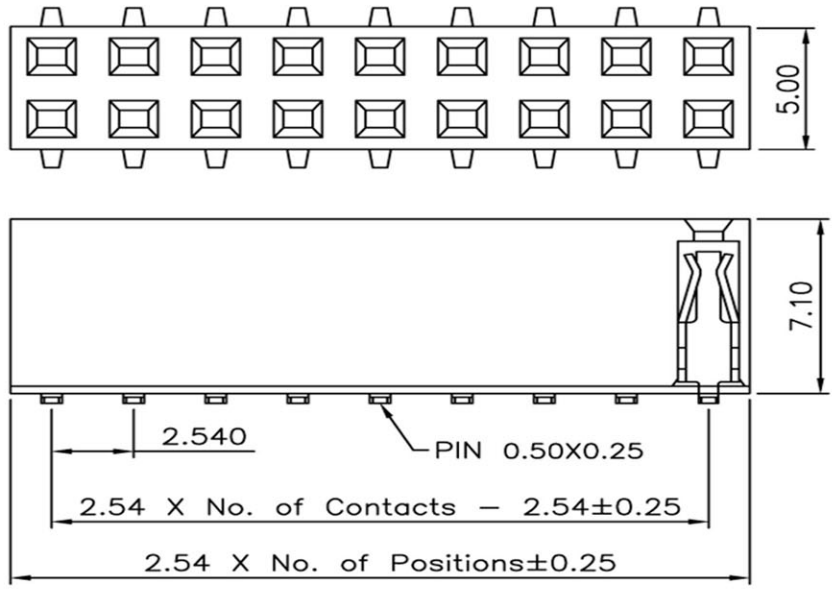
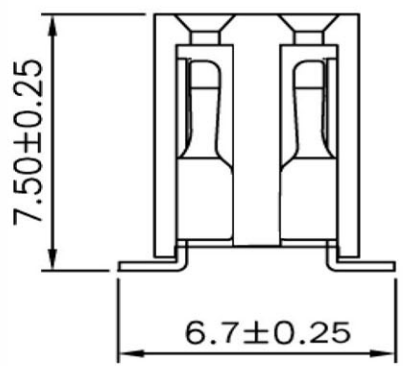
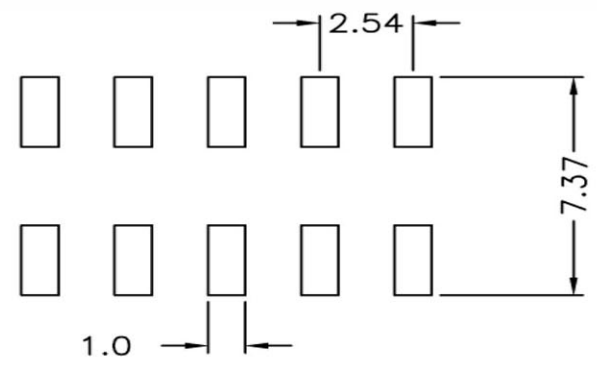


Cir-uits	Dimension (mm)	
	L1	L2
2x2	2.54	5.58
2x3	5.08	8.12
2x4	7.62	10.66
2x5	10.16	13.20
2x6	12.70	15.74
2x7	15.24	18.28
2x8	17.78	20.82
2x9	20.32	23.36
2x10	22.86	25.90
2x11	25.40	28.44
2x12	27.94	30.98
2x13	30.48	33.52
2x14	33.02	36.06
2x15	35.56	38.60
2x16	38.10	41.14
2x17	40.64	43.68
2x18	43.18	46.22
2x19	45.72	48.76
2x20	48.26	51.30
2x21	50.80	53.84
2x22	53.34	56.38
2x23	55.88	58.92
2x24	58.42	61.46
2x25	60.96	64.00
2x26	63.50	66.54
2x27	66.04	69.08
2x28	68.58	71.62
2x29	71.12	74.16
2x30	73.66	76.50
2x31	76.20	79.24
2x32	78.74	81.78
2x33	81.28	84.32
2x34	83.82	86.86
2x35	86.36	89.40
2x36	88.90	91.94
2x37	91.44	94.48
2x38	93.98	97.02
2x39	96.52	99.56
2x40	99.06	102.10



### SPECIFICATIONS

Current Rating: 3 Amp  
 Insulator Resistance: 5000 Megohms Min.  
 Dielectric Withstanding: AC 500V  
 Operating Temperature: -40°C ~ +105°C  
 Max. Processing Temp.: 230°C For 30~60 Seconds  
 (260°C For 10 Seconds)

Contact: Phosphor Bronze  
 Insulation Material: Polyester, UL 94V-0  
 Nylon 6T

<b>RoHS Compliant</b>		<b>HSM 玄茂科技股份有限公司</b> <b>HSUAN MAO TECHNOLOGY CO., LTD.</b>	
APPD. 核准 DWG. 製圖 DATE 制表日 2012/4/19	SCALE 比例 UNIT 單位 PAGE 張數 1 OF 1	TOLERANCE 零件公差 0 ± 0.35 .00 ± 0.25 ANG. ± SIZE 板張尺寸 A4 REV. 版本 B	PART NAME 品名 2.54mm FEMALE HEADER DUAL ROW H=7.1mm SMT TYPE 2X??P GOLD FLASH PLATING WITHOUT LOCATING PEG TUBE PACKING ROHS PART NO. 料號 C2816-XXBDGHNTR