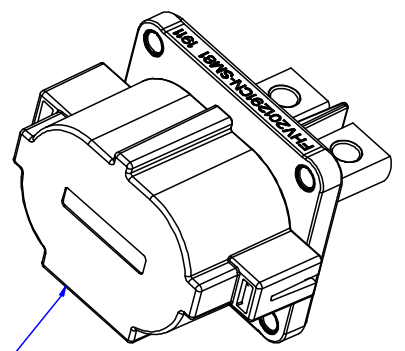
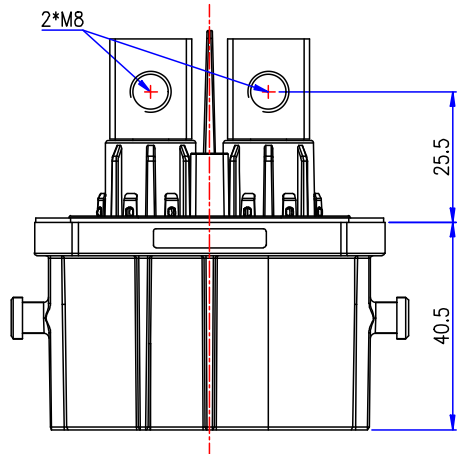




NOTE:

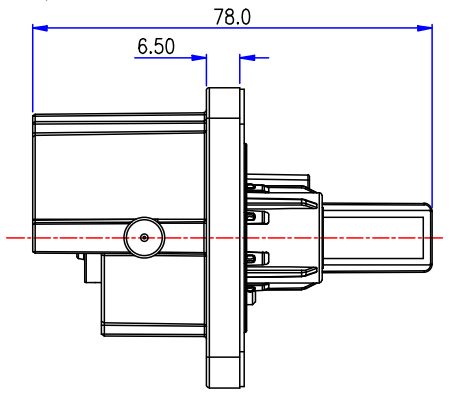
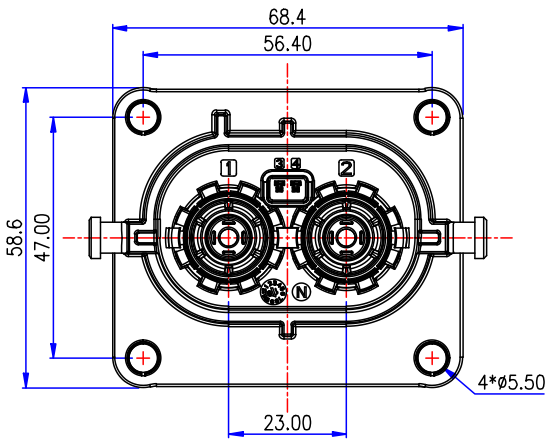
- 外观表面无划痕、划伤、污渍、异物等缺陷;
No scratches, scratches, stains, foreign matters and other defects on the appearance surface;
- 产品功能说明参考table 1;
Refer to table 1 for product function description
- 产品使用PE袋+纸箱包装;
Products are packed in PE bags + cartons
- 产品符合ROHS;
Products comply with RoHS
- 产品符合LV215、USCAR-2等标准;
Products comply with lv215, uscar-2 standards
- 使用M5组合螺丝锁紧面板,锁紧力4.5~5N.m;
Use M5 combination screw to lock the panel, and locking torque is 4.5 ~ 5N.m
- 使用M8组合螺丝锁铜排,锁紧力8~9N.m;要求使用带“瞬间制动”(达到设定扭力后立即停止,并发出嗒嗒声)电批锁螺丝.不可使用无“瞬间制动”电批,若无符合上述要求之电批,可使用扭力扳手;
Use M8 combination screw to lock the copper bar, locking torque is 8~9N.m;Using the electric screwdriver with "instant brake" (stop immediately after reaching setting torque and make a click) to lock screw, and the screwdriver without "instant brake" cannot be used. if there is no screwdriver with "instant brake",can use Torque spanner
- 互锁公端子铆接线缆规格:0.35~0.5mm²;
Specification of wire for male interlocking terminal: 0.35~0.5mm²

发行版本 Revision	修改内容 Description	制图 Drawing	日期 Date
A / 0	First release	Xiong	2023. 11. 21



1. 防尘盖选配, 需单独下单
Dust cover is optional, order separately

2. 料号: F1-P60103-0W
P/N: F1-P60103-0W



品名 Part name	互锁端子 Interlock terminal
外形 Appearance	
料号P/N	F3-C30006-03
用量Quantity	2PCS
包装Packing	卷盘包装 Reel packaging
备注Remarks	无互锁规格不需配置 Products without interlock don't need this terminal

料号P/N	键位 KEY
FHV20*291CN-*M81	KEY-N
FHV20*291CX-*M81	KEY-X
FHV20*291CY-*M81	KEY-Y
FHV20*291CZ-*M81	KEY-Z

—S:屏蔽 Shield
—U:非屏蔽Un-shield

键位 (N、X为常用键位)
KEY (N&X are standing keys)

—1:互锁 With interlock
—0:无互锁 Without interlock

项目 Item	规格SPEC
额定电流 rated current	250A
接线规格 wire spec	70mm ²
工作电压Operating voltage	DC1000V
工作温度Operating temperature	-40℃~+125℃
耐电压 withstand voltage	3000V AC
绝缘电阻 insulation resistance	5000 M Ω MIN(干燥 drying) 200 M Ω MIN(RH 95%)
盐雾 salt fog	144H (配合状态下 matching state)
防护等级 protection Level	IP67B/IP6K9K
插拔寿命 Durability life	500次 500cycling
接触电阻 Contact resistance	0.5m Ω max
互锁 Inter-Lock solution	可选 option
屏蔽 EMI immunity	可选 option

仁昊伟业 RENHOTEC		<h1>RENHOTEC GROUP</h1>						
客户料号 Cus' P/N	图号 File No.	RHT-707-0004	品名 Name	2芯70平方塑胶高压连接器-插座 2-core 70 square plastic high voltage connector - socket				
未注公差 Unless Otherwise Specified		单位 Unit	mm	版本 Revision	A/0	图纸确认 APPROVAL		日期 Date
线性 Linear	0.5~6 ±0.2	比例 Scale	—			绘图 Drawing	Xiong	2023. 11. 21
	>6~30 ±0.3					审核 Checked	Jim	2023. 11. 21
角度Angles	>30 ±2%	页码 Page	1 / 2	客户确认 Customer Approved				