

RJ45

assembly waterproof connector

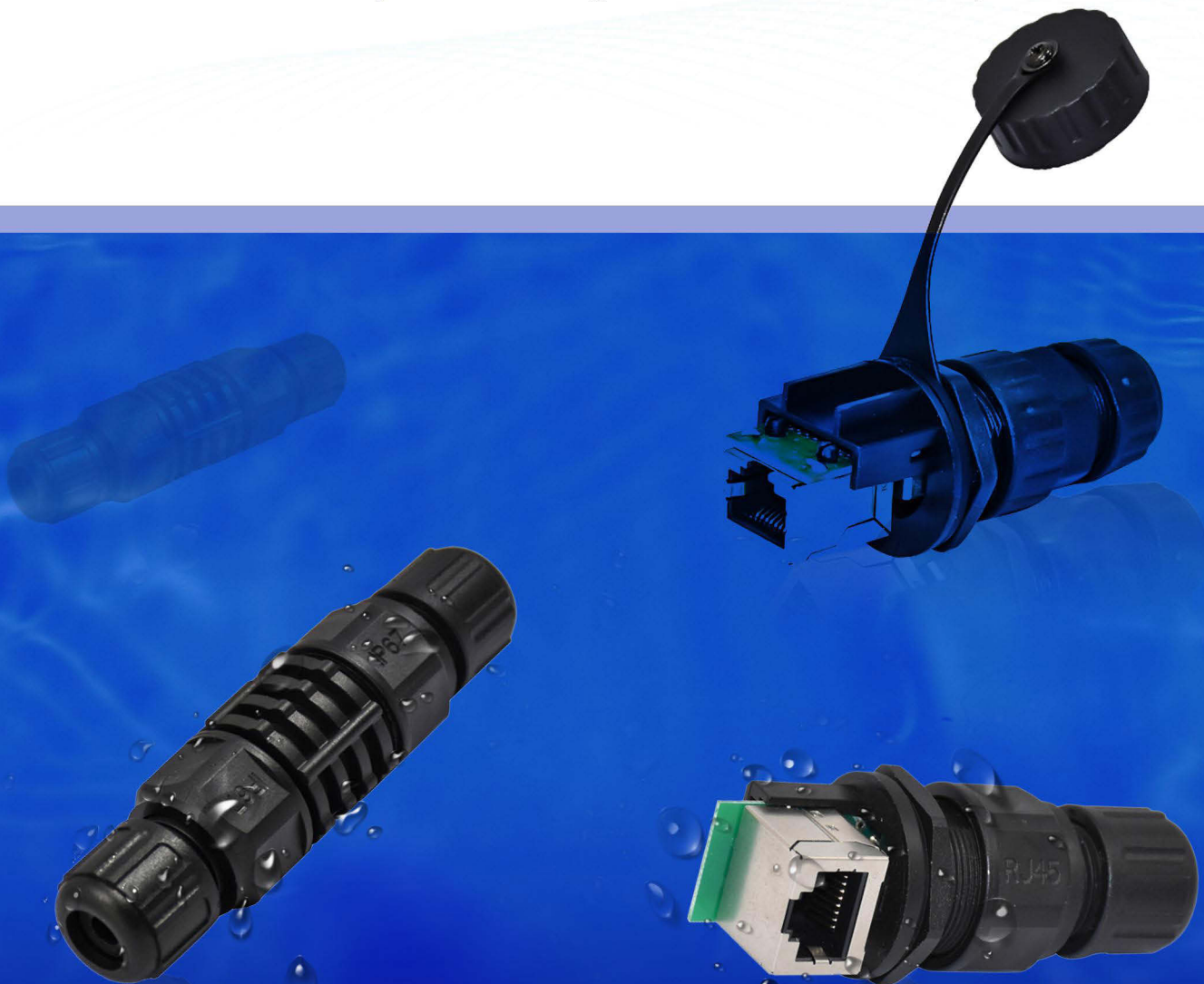
Molded type /Panel mount type/Assembly connector

Cable can be customized


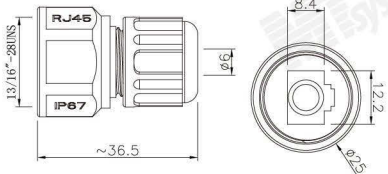

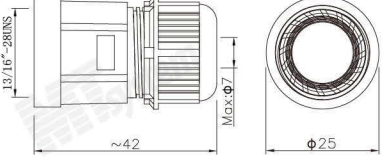

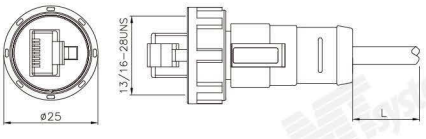

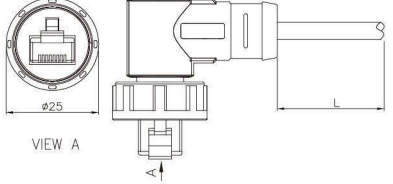

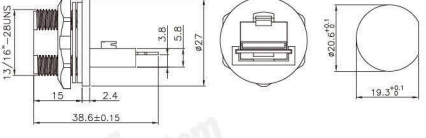

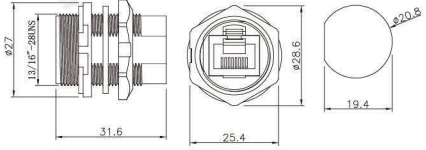

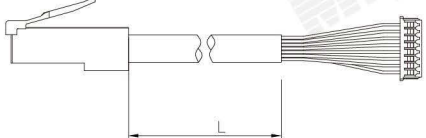

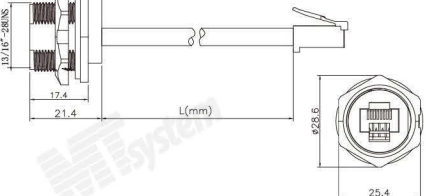
CAT5e ,CAT6a two standard

Quickly lock or screw lock contact way.


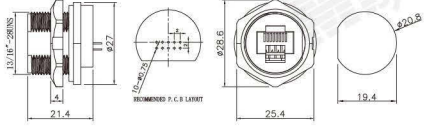

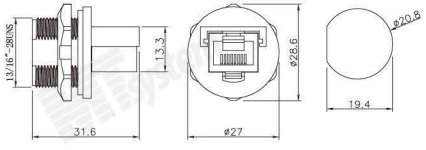

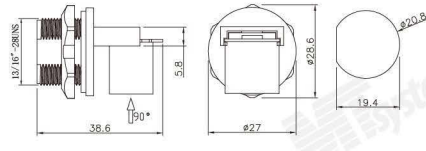

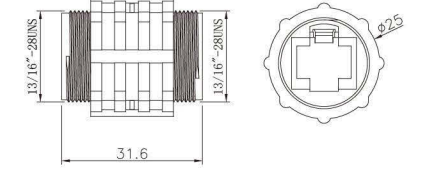

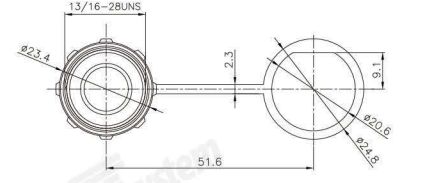

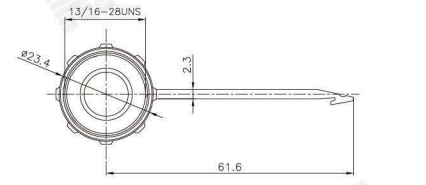
Rear/front panel mount,panel mount with wire,PCB



RJ45 waeterproof connector

Product picture	Part No./Model No.	Dimensions
	RJ45 straight male plastic plug (screw lock) RJ45-AM08-ST Model No.:RGRJ4501	
	RJ45 straight male plastic plug (screw lock) RJ45-AM08-ST-1 Model No.:RGRJ4502	
	RJ45 straight male molded cable (screw lock) RJ45-AM08- <input type="text"/> - <input type="text"/> -ST Lenght Cable materials Model No.:RGRJ4503	
	RJ45 90degree male molded cable (screw lock) RJ45-AM08- <input type="text"/> - <input type="text"/> -RA Lenght Cable materials Model No.:RGRJ4504	
	RJ45 female with solder wire socket (screw lock) RJ45-PMS-AF08-F Model No.:RGRJ4505	
	RJ45 straight female to female adapter (screw lock) RJ45-PM-AF08-AF-R Model No.:RGRJ4506	
	RJ45 cable RJ45-AM08- <input type="text"/> - <input type="text"/> Lenght Cable materials Model No.:RGRJ4507	
	RJ45 female to male with solder wire socket (screw lock) RJ45-AF08- <input type="text"/> - <input type="text"/> -AM Lenght Cable materials Model No.:RGRJ4508	

RJ45 waeterproof connector

Product picture	Part No./Model No.	Dimensions
	RJ45 female PCB socket (screw lock) RJ45-PMS-PCB Model No.:RGRJ4509	
	RJ45 female panel mount connector ,stright RJ45-PM08-ST Model No.:RGRJ4510	
	RJ45 panel mount connector ,R/A RJ45-PM08-RA Model No.:RGRJ4511	
	RJ45 assembly connector ,straight. RJ45-AF08-ST Model No.:RGRJ4512	
	RJ45 screw cap with hole RJ45-CAP1 Model No.:RGRJ4513	
	RJ45 screw cap with bolf RJ45-CAP2 Model No.:RGRJ4514	

Technical Date

Type	Assembly/Panel mount/Molded
Operating Temperature	'-30 C~105 C
Degree of protection	IP67/IP68
Connector locking system	Screw/Solder/PCB/Wire
Mechanical operation	>500 mating cycles
Contact resistance	≤10mΩ
Material of connector	CuZn PA66
Contact plating	Au(gold plating)
Cable OD	5.5mm~7.0mm