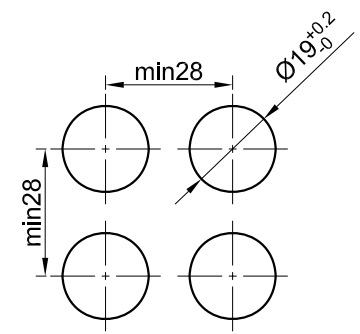
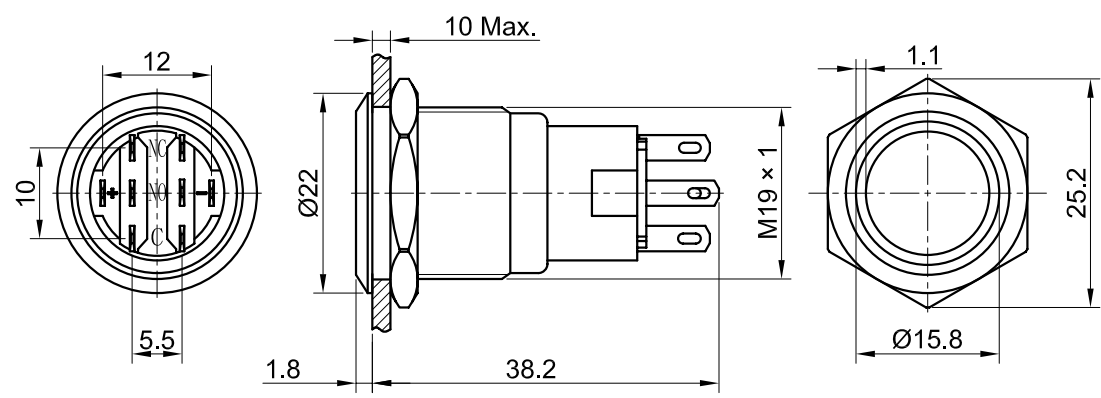
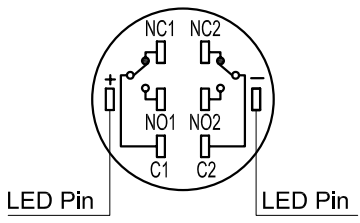


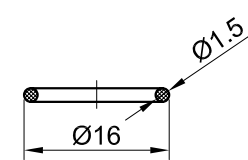
REV. 更改	DESCRIPTION 说明	ENG. 修改人	APPROVE 审核
------------	-------------------	-------------	---------------



PANEL CUTOUT
MAX.PANEL THICKNESS
10 mm



Contact Composition



Seal Ring

Part Number: LAS1-AGQ-□■E /△/▲/◎

"□"	Contact structure	"■"	Operation mode	"△"	Cap or Lamp Color
11	1NO 1NC	No Letter	Momentary	R	Red
22	2NO 2NC	Z	Latching type	G	Green
"▲"	Lamp voltage	"◎"	Crust material	Y	Yellow
No Letter	Non-Illuminated	S	Stainless steel	O	Orange
6V	AC/DC 6V	A	Al alloy(black)	B	Blue
12V	AC/DC 12V	N	Nickel Plated Brass	W	White
24V	AC/DC 24V				
110V	AC/DC 110V				
220V	AC/DC 220V				

SPECIFICATIONS:

- 1.Max.Switch Rating: Ith:5A Ui: 250VAC.
- 2.Rating: 0.5A 220VAC.
- 3.Electrical Life: ≥50,000cycles.
- 4.Contact Resistance: ≤50mΩ.
- 5.Insulation Resistance: ≥1,000MΩ.
- 6.Dielectric Strength: 2,000V AC 50Hz 5 Seconds.
- 7.Operating Temperature: -25℃~ +55℃ (No Freezing)
- 8.IP Class: IP67.
- 9.Operating Force: About 2N (1NO1NC)
About 3N (2NO2NC).
- 10.Torque: 0.6Nm max.applied to nut.
- 11.Ring illuminated.
- 12.The Front Shape:Flat Round.
- 13.Terminal Type:Pin Terminal(2.8X0.5mm).

MATERIALS:

- 1.Contact: Silver alloy.
- 2.Button: Stainless Steel/Al alloy(Black).
- 3.Body: Stainless Steel/Al alloy(Black)
Nickel Plated Brass.
- 4.Base: PBT.

THESE DRAWINGS AND SPECIFICATIONS ARE THE PROPERTY OF ONPOW PUSH BUTTON MANUFACTURE CO.,LTD. AND SHALL NOT BE REPRODUCED COPIED OR USED IN ANY MANNER WITHOUT THE PRIOR WRITTEN CONSENT OF ONPOW PUSH BUTTON MANUFACTURE CO.,LTD.	
DIMENSIONS	TOLERANCE
0.00 TO 30.00mm	±0.20mm
30.01 TO 80.00mm	±0.25mm
80.01 TO 150.00mm	±0.30mm
150.01 ↑	±0.40mm

中国·红波按钮制造有限公司
ONPOW PUSH BUTTON MANUFACTURE CO.,LTD.

USED 用途	APPD 审核
FINISH 处理	CHKD 校对
SCALE 比例 1.2 / 1	UNIT 单位 mm
TITLE 名称 Anti-vandal metal push button	DR. 制图
DWG NO. 图号 LAS1-AGQ -□■E/△/▲/◎	SIZE 图纸 A4
FILE NAME 档案名称 LAS1AGQE001.DWG	SHEET 张 1 / 1
	REV. 更改 1