



Features

- 6.6mmx6.95mmx1.0mm Shielded
- Inductance Range: 0.56uH - 10uH
- Current Range: 2.2A - 11A
- Frequency range up to 1MHz

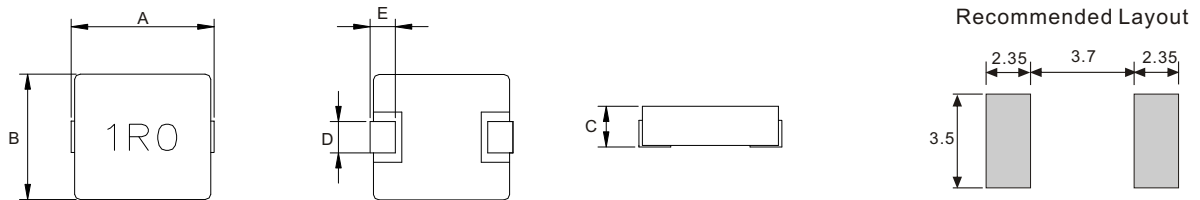
Application

- PDA, notebook, desktop, and server applications.
- Low profile, high current power supplies
- Battery powered devices
- DC/DC converters in distributed power systems

General Specifications

- Storage temp range: -55°C to +125°C
- Operating temp range: -55°C to +125°C
- Resistance to Soldering Heat +260°C for 5-10 Sec.

► Dimensions & Configurations (Unit:mm)



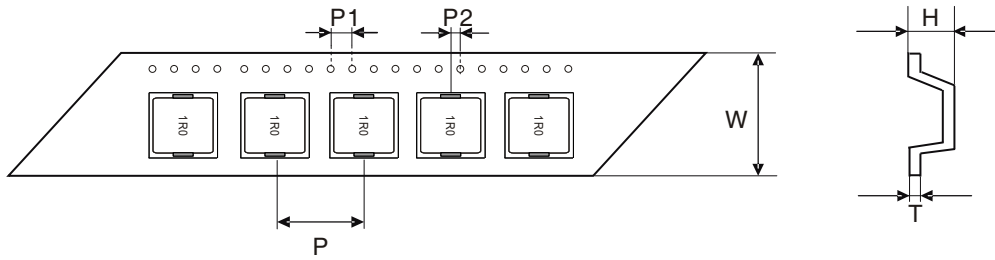
Type	A	B	C	D	E
HI0612	6.95±0.3	6.6±0.3	1.2Max	3.0±0.3	1.6±0.3

► Electrical Characteristics For HI0612 Series

Part Number	Inductance L0 [uH] (±20%) @0A	DCR [mΩ]		Heat Rating Current (Irms) [A] (Max.)	Saturation Current (Isat) [A] (Max.)
		(Typ.)	(Max.)		
HI0612-R56M	0.56	13.5	15.5	7.0	11.0
HI0612-R68M	0.68	30.0	33.5	6.5	9.0
HI0612-R82M	0.82	32.0	35.0	6.0	8.0
HI0612-1R0M	1	32.0	35.0	6.0	7.0
HI0612-2R2M	2.2	64.0	67.0	3.5	5.0
HI0612-3R3M	3.3	80.0	92.0	3.0	4.0
HI0612-4R7M	4.7	120.0	130.0	2.5	3.5
HI0612-100M	10	250.0	290.0	2.0	2.2

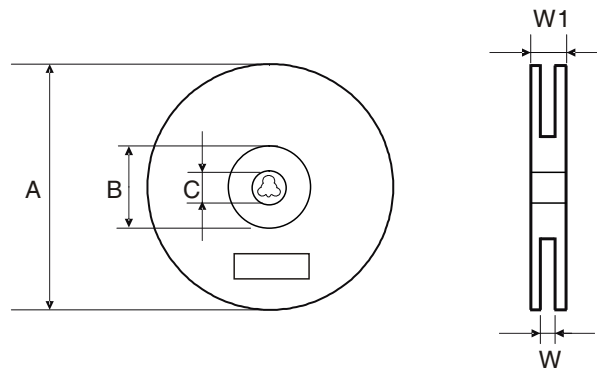
- Inductance tested at 100kHz, 1.0Vrms, 0.0Adc
- Heat Rating Current (Irms): Current that cause the temperature 40°C rise from 25°C
- Saturation Current (Isat): DC current at which the inductance drops 30% from its value without current

▶ Tape & Reel Specifications:



Unit: mm

Type	Dimension	W	P	P1	P2	H	T
	Tolerance	±0.3	±0.1	±0.1	±0.1	±0.15	±0.05
HI0612		16.0	12.0	4.00	2.00	1.40	0.35



Unit: mm

Type	Dimension	QTY Per Reel	A	B	C	W	W1
	Tolerance	Pcs	±2.0	min	±0.5	±0.5	±3.0
HI0612		2000	330	100	13.5	16.4	22.4