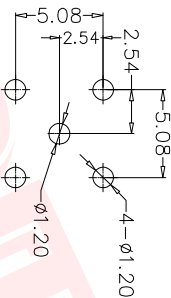
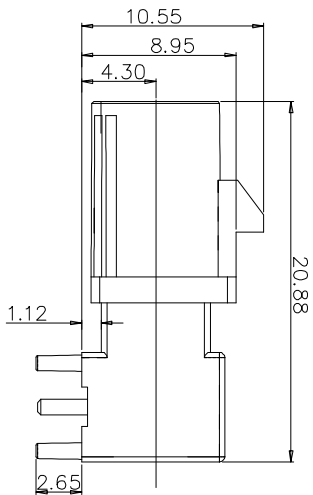
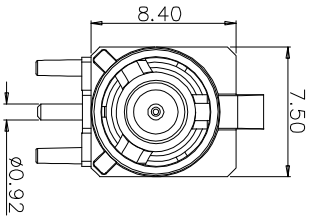
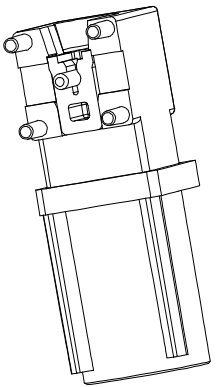
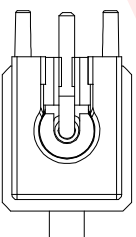
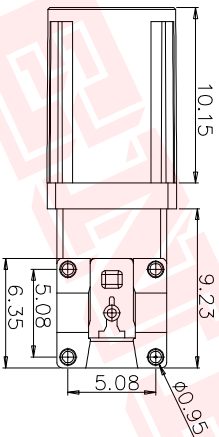




Product NO.		RHT-698-0231	
REV	DESCRIPTION	DWN	DATE
RI. 0	First issue	Gavin	2022/09/07
			APPROVEN
			JIM.KING



PCB LAYOUT



Electrical parameters:  
 Insulation resistance: 1000M $\Omega$  Min  
 Contact resistance: 30m $\Omega$  Max  
 Withstand voltage: 500V AC  
 Insertion/extraction force:  $\leq 50N$   
 Insertion times: 500 times  
 Operating temperature: -40 $^{\circ}C \sim 85^{\circ}C$

NO	Description	Material	Finish	QTY
1	Insulator	PTFE	White	1
2	PIN	BRASS	Gold	1
3	Body	Zinc alloy	Nickel	1
4	Plastic shell	PBT	right table	1
5	Rubber stopper	PTFE	White	1

-TOLERANCES-  
UNLESS OTHERWISE  
SPECIFIED



RENHOTEC GROUP



Appd: JIM.KING



Check: JIM.KING

PART DESCRIPTION:  
R/A FAKRA MALE FOR PCB

P/N: RHT-698-0231

Date: 2022.09.07

Draw: Gavin

Date: 2022.09.07

Scale: Free

Unit: MM

Type: Z

Page: 1/1

Coding	Graphics	Colour	Coding	Graphics	Colour
A		Jet Black	G		Blue Gray
B		White	H		Heather Violet
C		Signal Blue	I		Beige
D		Clart Violet	K		Curry
E		Leaf Green	L		Carmine Red
F		Nut Brown	M		Pastel Orange
Z		Water Blue	O		Pastel Green