



Tengxiang Technology.Inc

东莞市腾祥电子有限公司

Product Number: AG1516-4203FKC-3M

Product Name: Antenna

Specification For Approval

Date: 2023.8.8

Version: 1.0

客户名称

Customer: _____

客户料号

Customer P/N: _____

腾祥料号

T X P/N: AG1516-4203FKC-3M

规格描述

Description : GPS+GLONASS Antenna 29dBi RG174 L=3 M

Straight FKARA C Blue Blue

Tengxiang Checked By: 腾祥审核		Customer Approved By: 客户审核	
DRAWN 制作	路婷	TESTED BY 检测	
CHECKED BY 审核	胡超	CHECKED BY 审核	
Q.C.DEPT. 品管	梁凤珍	Q.C.DEPT. 品管	
APPROVED BY 核准	韦佳	APPROVEDBY 核准	



NO.53 Shatou ShaChong Road, ChangAn Town, Guangdong province, China

中国广东省东莞市长安镇沙头区沙涌路 53 号

TEL:86-769-81873082 FAX:86-769-82663788

<http://www.tenxiang.cn>

Product Number: AG1516-4203FKC-3M

Product Name: Antenna

Revision History (变更履历)

Revision	Date	Change Notification	Description
1.0	2023.8.8	初版	

Specification

Sample Photo



一、 产品型号 Product Model : GPS+GLONASS 天线



Tengxiang Technology.Inc

东莞市腾祥电子有限公司

Product Number: AG1516-4203FKC-3M

Product Name: Antenna

电缆头及电缆线(Connector or Cable) : FAKRA-C Blue / RG174,L=3000MM

二、 介质天线 Dielectric Antenna

中心频率 Center Frequency	1575.42±3 /1602±3 MHz
电压驻波比 V · S · W · R	<2.0
带宽 Band Width	30 MHz
阻抗 Impedence	50Ω
最高增益 Peak Gain	> 3dBic Based on 27×27mm ground plane
增益范围 Gain Coverage	> -4dBic at -90° < 0 < +90°(over 75% Volume)

天线极化 Polarization RHCP

三、 放大器/滤波器 LNA/Filter

放大器增益 LNA Gain Without cable	29±1dB Typical
噪声系数 Noise Figure	≤1.5dB
输出电压驻波比 V · S · W · R	< 1.5
直流电压 DC Voltage	3V · 5V · 3V to 5V 或其它
直流电流 DC current	7~14MA

四、 结构 Mechanical



Tengxiang Technology.Inc

东莞市腾祥电子有限公司

Product Number: AG1516-4203FKC-3M

Product Name: Antenna

外型尺寸 Size	49*37*16mm
电缆 Cable	RG174 3000±10MM
连接器型号 Connector	FAKRA-C- Blue 蓝色 C 型
固定方式 Mounting	磁铁吸附
外壳颜色 Housing	黑 Black

五、环境 Environmental

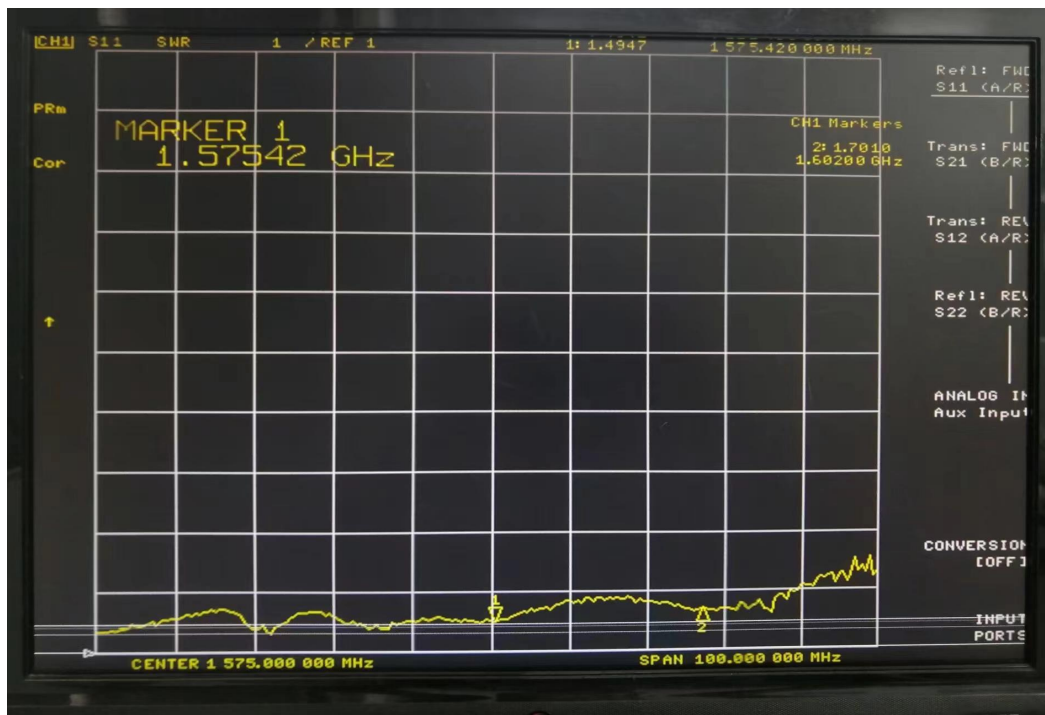
- 1 · 工作温度 Working Temp -40°C~+85°C
- 2 · 防水测试：在水龙头下放置 4 小时，让水流冲在外壳上；4 小时后拿起产品，底部没有进水现象，说明此产品具有良好的防水功能。
- 3 · 振动 Vibration Sine sweep 1g(0-p)10~50~10Hz each axis
- 4 · 湿度 Humidity Humidity 95%~100%R

Product Number: AG1516-4203FKC-3M

Product Name: Antenna

六 Patch Test Curve

S11 SWR



S22 SWR

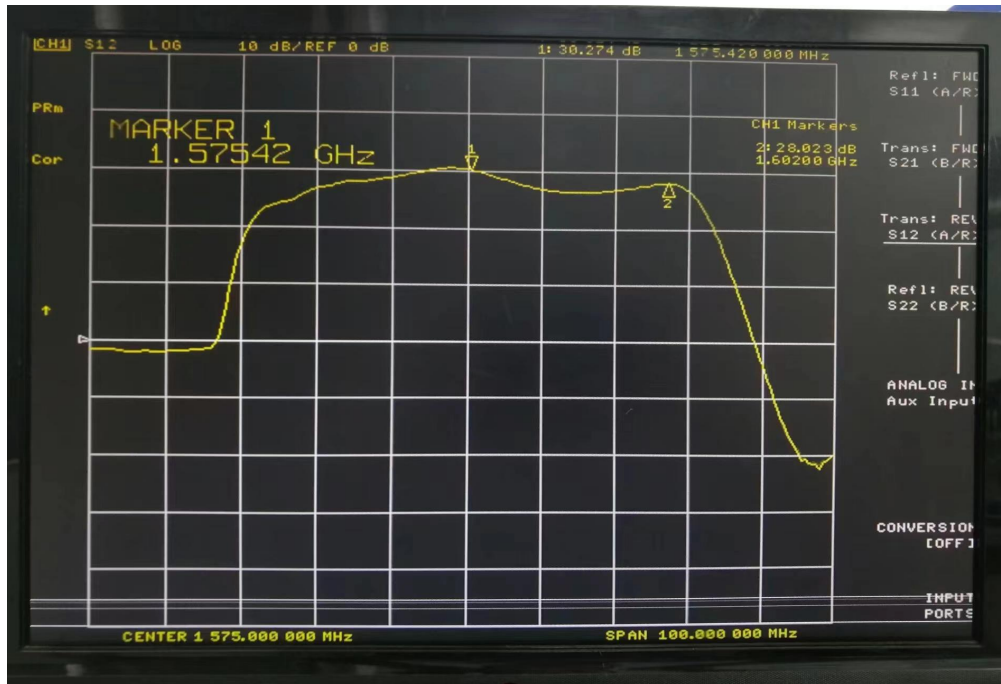


Product Number: AG1516-4203FKC-3M

Product Name: Antenna

七 LNA Test Curve

Gain



八 Dielectric antenna

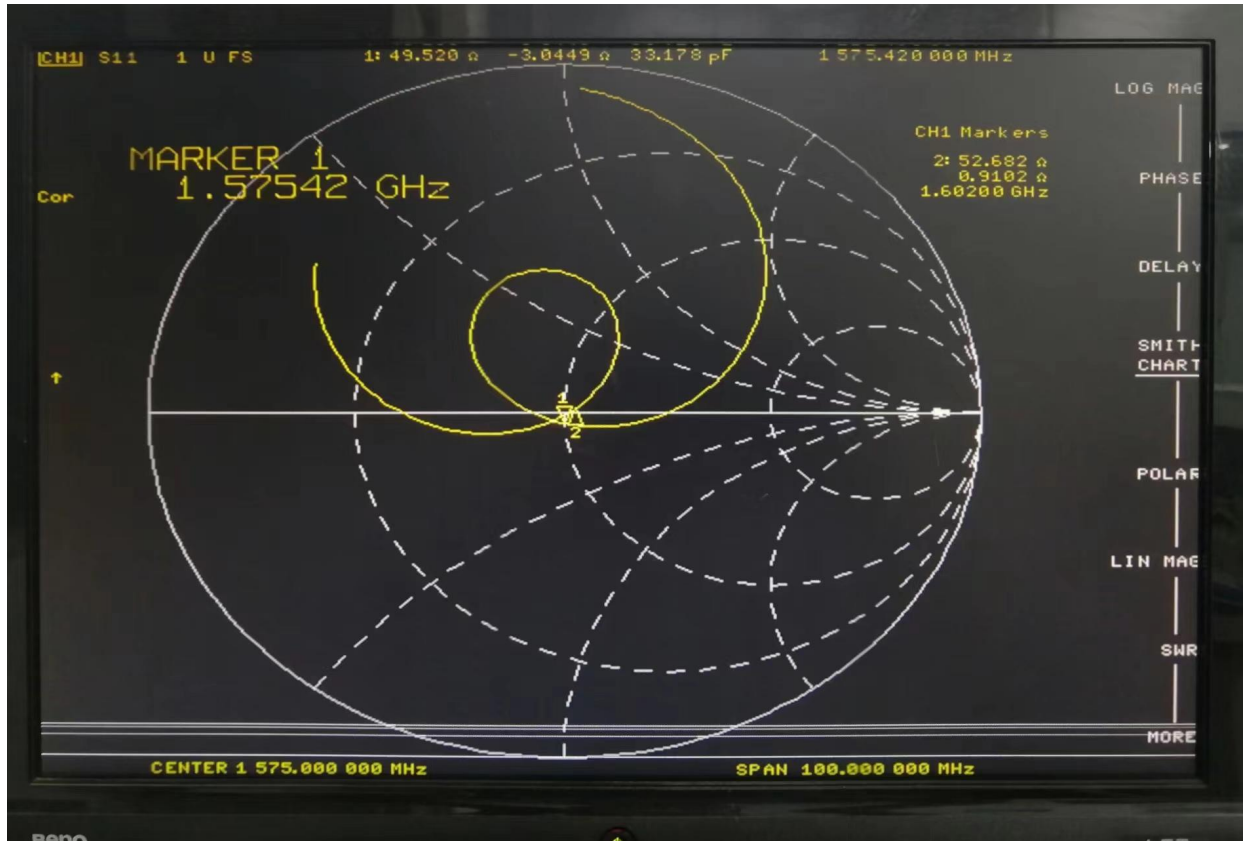
V.S.W.R



Product Number: AG1516-4203FKC-3M

Product Name: Antenna

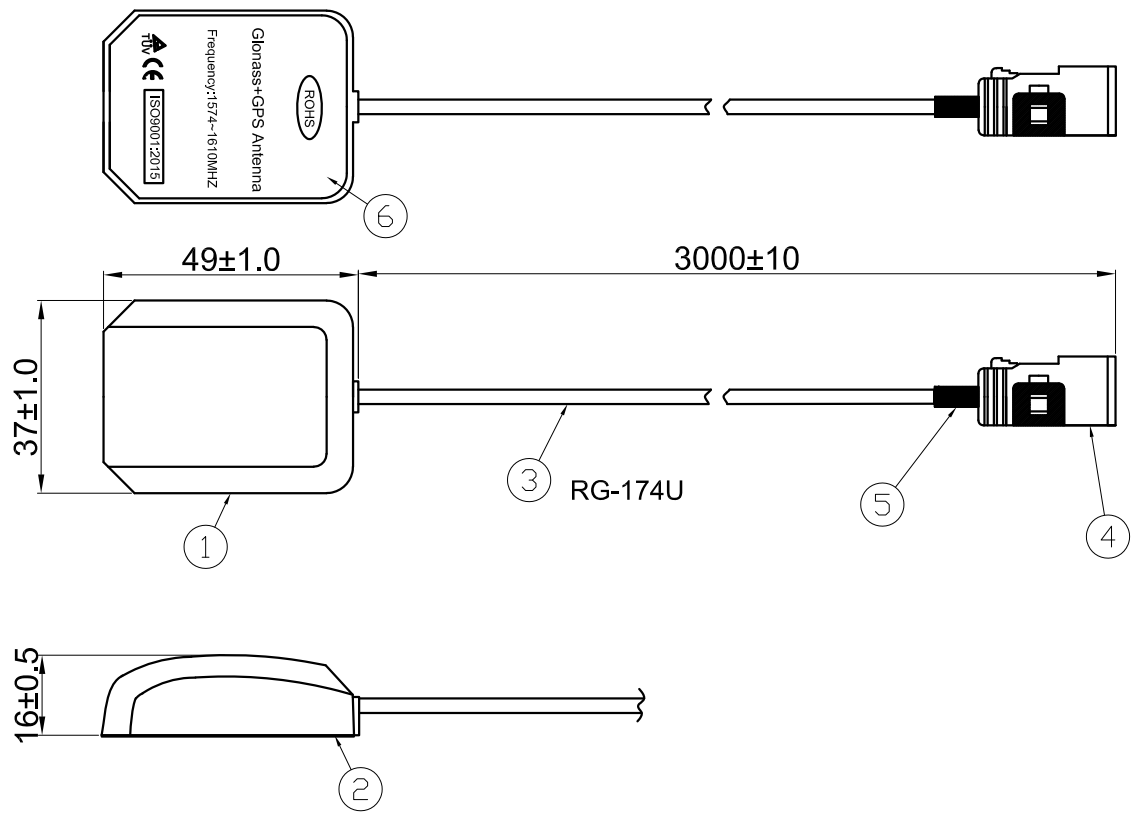
SMITH CHART



九 Mechanical Drawing See attached files

HF
 RoHS
 REACH
 CONFIDENTIAL

SIGN	DATE	DESCRIPTION	APPROVER
△			
△			
△			



Note:
 1. Mark * is important dimension; "Cpk" Identify for process control (CpK ≥ 1.33).
 2. Tolerance: Unmarked tolerance refer to the standard tolerance please.

6	LABEL-4836	LABEL		White	1
5	HSTUBE-004N	HSTUBE	EVA	Black	1
4	FAKRA007-C8FN74	FAKRA JACK	PA66	BLUE	1
3	RG-174U	CABLE		Black	1
2	TG42-02B	BODY2	ABS	Black	1
1	TG42-01B	BODY1	ABS	Black	1
No.	Part Number	Name	Material	Finish	Q'ty

Tengxiang Electronics Co., Ltd. http://www.tenxiang.cn 东莞腾祥电子有限公司 TEL:86-769-81873082 FAX:86-769-82663788				
TITLE: GPS-Glonass Antenna				
PART NO.: AG1516-4203FKC-3M	CUSTOMER P/N: /			
APP BY	CHK BY	RF BY	DES BY	 Tolerance X.X ±0.5 X.XX ±0.2 X° ±1
WJ 2023.08.08	DWF 2023.08.08	YCX 2023.08.08	HC 2023.08.08	
UNITS: mm				
SCALE: 1/1				
REVISION: A				

产品包装规范

PACKING CRITERION

Date: 2023.08.08

Page: 1 of 1

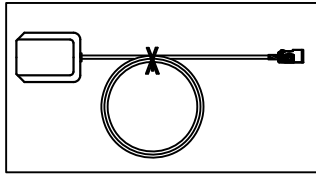
Part Number : AG1516-4203FKC-3M

Revision : A

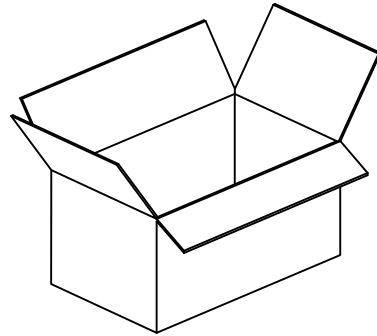
Name: GPS+GLONASS Antenna

Customer : ALL

1. Enter PE bag.

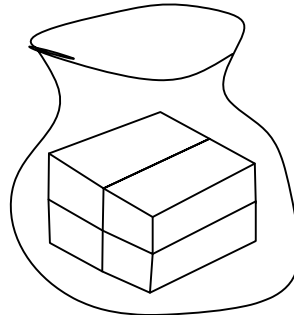


1pcs/ PE bag
1PCS每袋

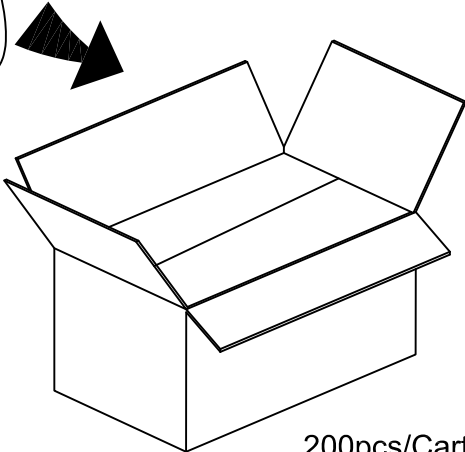


50pcs/BOX
每盒50PCS

2.PACKING.



4 pcs BOX/Carton
moisture barrier bag
每箱四个内盒
外套一个防潮袋装箱

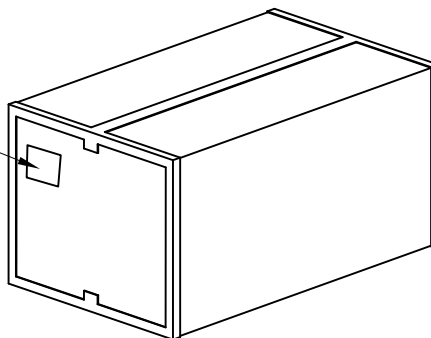


200pcs/Carton
每箱200PCS

3. SEALING.

LABEL

按照客户要求
外箱物料标贴



APPROVED BY: WJ

CHECKED BY: YCX

DESIGNED BY: HC