

LED Power Supply

Model	Output Voltage	Output Current	Output Current tolerance	Power factor	Efficiency
KI-020-DP2	3-42V	350mA	±5%	>90	>77%



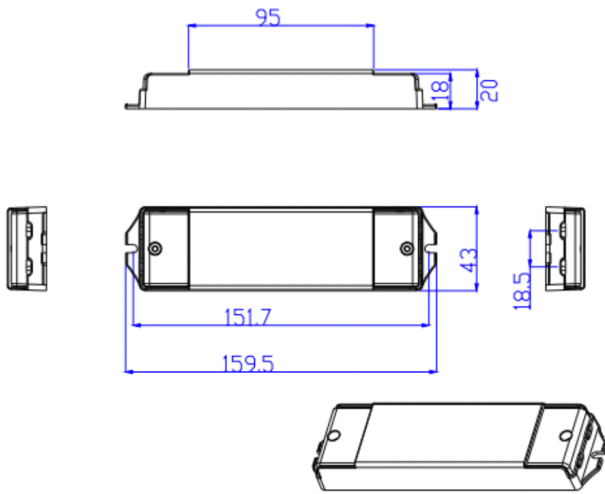
Features

- Compliance to UL standard.
- Short circuit / overload / over-voltage protection.
- Compliance to worldwide safety regulations for lighting
- 30,000hrs lifetime
- DALI DP2 dimming

Description

KI-020-DP2 is an indoor constant current LED driver. Its input voltage range is 100-277Vac, with a maximum conversion efficiency of 83%, working at -20 °C~+55 °C ambient temperature range, with high power factor and low total harmonic distortion, can pass the UL8750 and UL1310 standard, low standby power consumption and all-round protection functions, which not only greatly improves the reliability of the product, but also ensures the product life cycle. This series is designed for LED lighting, and applied to indoor bathroom mirror lamp and other lighting lamps.

Dimensions



LED Driver (DALI-2 & PUSH Dimming 2 in 1)

Multi Output Constant Current

Model: KI-020-DP2

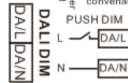
Input: 100-277V~ 0.27A max. 24W max.
50/60Hz λ:0.9

Pout: Max. 20W Uout: 3-42V max.
Iout: Max. 700mA (Constant)

Class 2 LED Class 2 Class P RoHS SELV

For Connections Use Wire Rated for at Least 90°C (194°F).
Pour les connexions, utiliser des conducteurs d'alimentation convenant 90°C.

Refer to instruction manual for proper selection of the power supply cord.



Conforms UL 8750
Conforms CAN/CSA-C22.2 NO.250.13
Conforms FCC Conforms ICES-005(B)



USE ONLY WITHIN AN ENCLOSURE
DOIT ETRE INSTALLE DANS UNE ENCEINTE
WARNING - Risk of Fire or Electric Shock.
Do not interconnect output terminations.
AVERTISSEMENT: RISQUES D'INCENDIE OU DE CHOC ELECTRIQUES. NE PAS INTERCONNECTER LES BORNES DE SORTIE.
SUITABLE FOR DRY AND DAMP LOCATIONS
CONVIENT AUX EMPLACEMENTS SECS ET HUMIDE

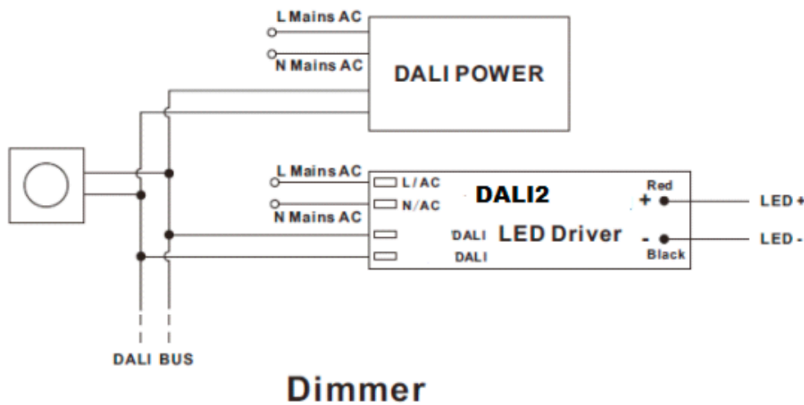
Refer to instruction manual for proper selection of the power supply cord.

Made in China

LED	LED	LED	LED	LED	LED	LED	LED
250mA	350mA	400mA	450mA	500mA	550mA	600mA	700mA
3-42V	3-42V	3-42V	3-42V	3-40V	3-36V	3-33V	3-29V

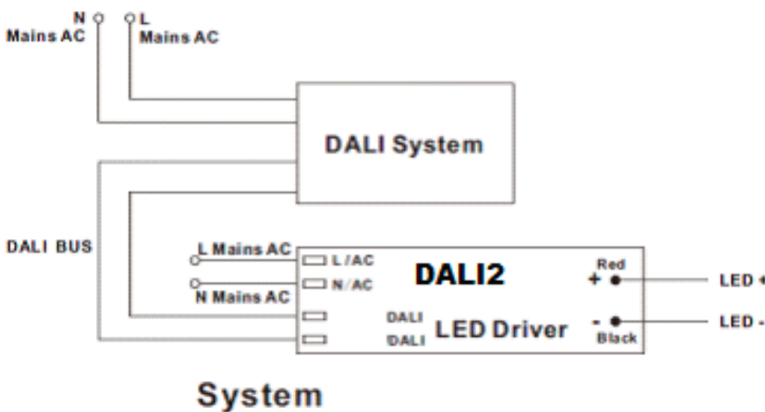
Wiring Diagram

DALI Dimming Wiring Diagram1



Dimmer

DALI Dimming Wiring Diagram2



System

Input Specification

Parameter	Min. Value	Typical Value	Max Value	Note
Rated input voltage	100 Vac		277 Vac	
Input frequency	50Hz		60Hz	
Input Current			<200mA	
Input inrush current			<60A	

Output Specification

Parameter	Min. Value	Typical Value	Max Value	Note
Rated output voltage	3Vdc		42Vdc	
Rated output current		350mA		
Rated output power		20W		
Rated output efficiency		>77%	83%	

Environment Requirement

Parameter	Min. Value	Typical Value	Max Value	Note
Workling Temp.	-20°C	25°C	55°C	
Storage Temp.	-20°C	25°C	65°C	
Working humidity	20%RH		95%RH	
Storage humidity	10%RH		95%RH	
IP rating			IP20	

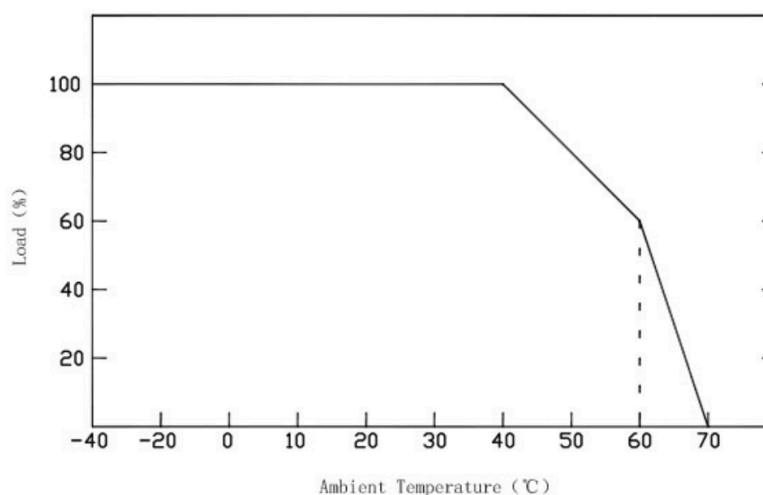
Protection

Parameter	Condition	Note
Overload	1.2 times rated load	Auto-recovery after overload Removed.
Short circuit	Short circuit power \leq 0.6W	Hiccup mode, auto-recovery after short circuit removed.
Over voltage	25.2V+10%	Auto-recovery after over voltage removed

Safety & EMC Standard

Items	Safety standards	Note
Safety	UL8750, Class 2 UL1310	
EMI	FCC Part15	
EMS	EN61000-4-2	
Surge	EN61000-4-5	

Life Curve according to Temperature



Remarks : To extend their life, please refer to the Derating Curve and derate according to the temperature.