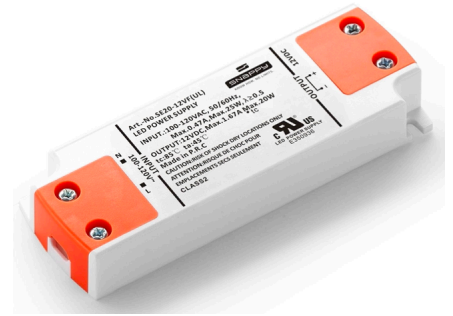


IP20 LED Power Supply

Model	Output Voltage	Output Current	Output Voltage tolerance	Power factor	Efficiency
SE20-12VF(UL)	12V	1.67A max.	±5%	>90	>83%



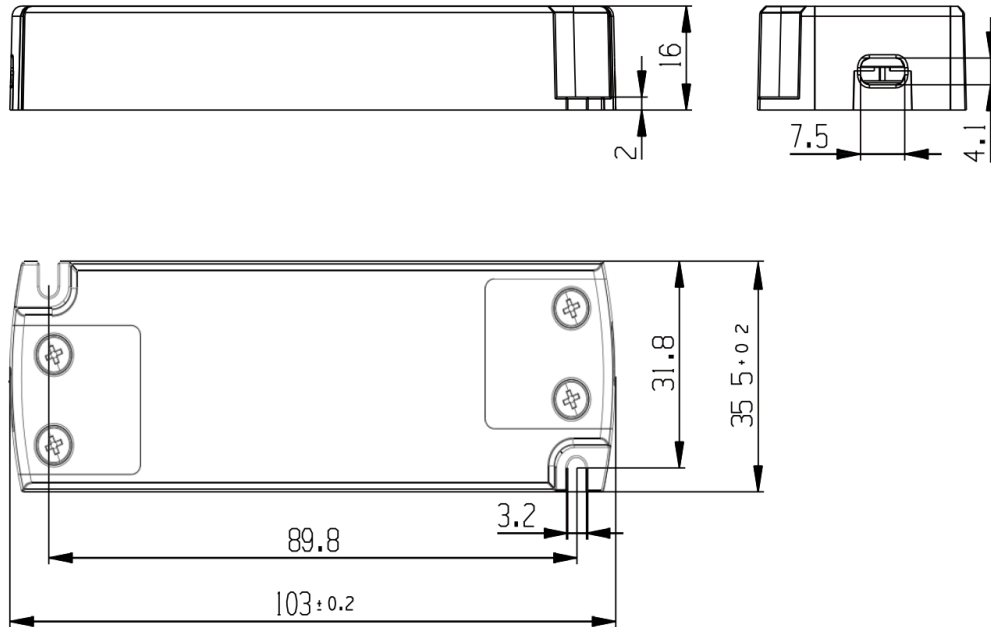
Features

- US standard input voltage 90-132Vac.
- Short circuit / overload / over-voltage protection.
- Compliance to worldwide safety regulations for lighting
- 30,000hrs lifetime
- IP20 rating

Description

SE20-12VF/24VF(UL) is a US standard indoor ultra-thin constant voltage LED driver. Its input voltage range is 90-132Vac, with a maximum conversion efficiency of 83%, working at -20 °C~+45°C ambient temperature range, low standby power consumption, all-round protection functions, not only greatly improves the reliability of the product, but also ensures the product life cycle. This series is designed for LED lighting , and applied to indoor bathroom mirror lamps and other lighting lamps.

Dimensions



Wire Diagram



Input Specification

Parameter	Min. Value	Typical Value	Max Value	Note
Rated input voltage	100 Vac		120 Vac	
Input frequency	47Hz		63Hz	
Input Current			<0.47A	90Vac, Fill Load
Input inrush current			<60A	120Vac/60Hz Cold Start

Output Specification

Parameter	Min. Value	Typical Value	Max Value	Note
Rated output voltage		12Vdc		
Rated output current	0A		1.67A	
Rated output power		20W		
Rated output efficiency		>83%		

Environment Requirement

Parameter	Min. Value	Typical Value	Max Value	Note
Workling Temp.	-20°C	25°C	45°C	
Storage Temp.	-40°C	25°C	85°C	
Working humidity	10%RH		90%RH	
Storage humidity	5%RH		90%RH	
IP rating			IP20	

Protection

Parameter	Condition	Note
Overload	1.4 times rated load	Auto-recovery after overload Removed.
Short circuit	Short circuit power \leq 0.4W	Hiccup mode, auto-recovery after short circuit removed.
Over voltage	1.5 times of rated output voltage	Auto-recovery after over voltage removed

Safety & EMC Standard

Certificate	Safety standards	Note
UL/cUL	UL8750	
EMC	FCC Part15b	