

- Designed to meet IEEE802.3
- Solderability: Conforms to ANSI/J-STD-002, 245°C reflow peak temperature per IPC/EIA J-STD-003A
- LL: 0.5uH @ 100kHz 0.1Vrms
- Cw/w: 35PF @ 100KHz 0.1Vrms
- Operating Temp: -40°C to +85°C
- Storage Temp: -40°C to +85°C

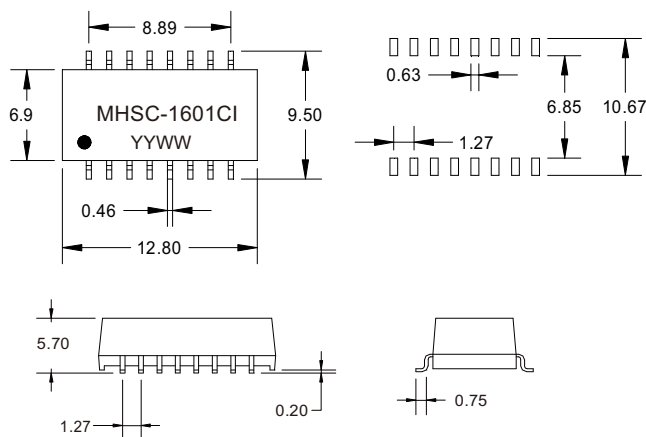
Electrical Specifications @25°C

Part Number	OCL(uH Min) @ 100kHz, 0.1V With 8mA DC Bias	Turns Ratio chip: cable (±3%)	Insertion Loss (dB Max)	DCR (Ω)	
			1-100MHz	Primary	Secondary
MHSC-1601CI	350	1CT:1CT	-1.2	0.9 max	1.2 max

Electrical Specifications @25°C

Part Number	Return Loss (dB Min)				DMRR (dB Min)		Cross Talk (dB Min)	Isolation HI-POT (Vrms)
	1-30MHz	60MHz	50MHz	60-80MHz	1-60MHz	60-100MHz	1-100MHz	
MHSC-1601CI	-18	-16	-14.5	-12	-40	-35	-40	1500

MECHANICAL



Dimensions: mm
Unless otherwise specified, all tolerances are ±0.25

SCHEMATICS

