

Features

- 23mmx22.3mmx13mm Shielded
- Inductance Range: 0.47uH - 400uH
- Current Range: 4A - 100A

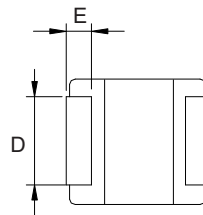
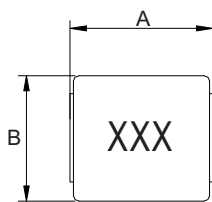
General Specifications

- Storage temp range: -50°C to +125°C
- Operating temp range: -40°C to +125°C

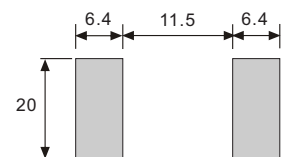
Application

- PDA, notebook, desktop, and server applications.
- Low profile, high current power supplies
- Battery powered devices
- DC/DC converters in distributed power systems

Dimensions & Configurations (Unit:mm)



Recommended Layout



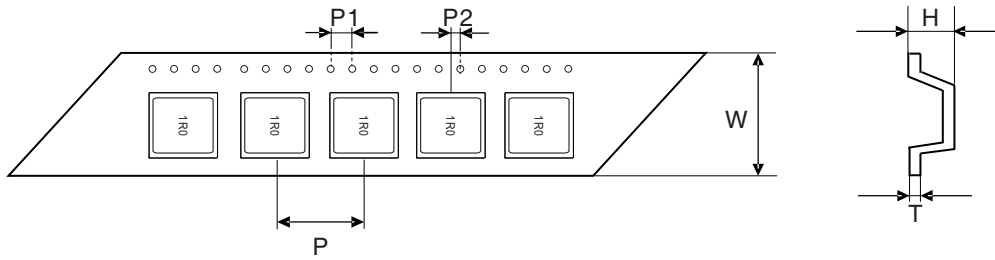
| Type | A | B | C | D | E |
|--------|----------|--------|-------|----------|---------|
| HI2213 | 22.5±0.5 | 22±0.3 | 13Max | 18.6±0.3 | 5.0±0.4 |

Electrical Characteristics For HI2213 Series

| Part Number | Inductance L0 [uH] (±20%) @0A | DCR [mΩ] | | Heat Rating Current (Irms) [A] (Max.) | Saturation Current (Isat) [A] (Max.) |
|-------------|-------------------------------------|----------|--------|---|--|
| | | (Typ.) | (Max.) | | |
| HI2213-R47M | 0.47 | 0.56 | 0.67 | 80.00 | 100.00 |
| HI2213-1R0M | 1.00 | 0.85 | 0.89 | 69.00 | 71.00 |
| HI2213-1R5M | 1.5 | 0.90 | 1.20 | 65.00 | 53.00 |
| HI2213-2R2M | 2.2 | 1.10 | 1.25 | 58.00 | 48.00 |
| HI2213-3R3M | 3.3 | 1.44 | 1.80 | 49.00 | 41.00 |
| HI2213-4R7M | 4.7 | 1.70 | 1.84 | 47.00 | 37.00 |
| HI2213-5R6M | 5.6 | 2.00 | 2.50 | 40.00 | 36.50 |
| HI2213-6R8M | 6.8 | 2.90 | 3.09 | 36.00 | 36.00 |
| HI2213-100M | 10 | 3.80 | 4.14 | 28.00 | 28.00 |
| HI2213-150M | 15 | 5.50 | 6.11 | 23.50 | 24.00 |
| HI2213-220M | 22 | 9.00 | 10.8 | 17.50 | 16.00 |
| HI2213-330M | 33 | 14.5 | 15.4 | 15.50 | 15.50 |
| HI2213-470M | 47 | 16.3 | 17.7 | 13.50 | 13.00 |
| HI2213-560M | 56 | 23.0 | 28.0 | 13.00 | 12.00 |
| HI2213-680M | 68 | 26.2 | 29.5 | 12.50 | 11.00 |
| HI2213-750M | 75 | 27.5 | 31.6 | 12.00 | 10.00 |
| HI2213-820M | 82 | 31.5 | 34.2 | 10.20 | 9.00 |
| HI2213-101M | 100 | 37.6 | 39.4 | 9.10 | 8.00 |
| HI2213-151M | 150 | 68.0 | 80.0 | 6.00 | 8.00 |
| HI2213-201M | 200 | 92 | 105 | 5.00 | 7.00 |
| HI2213-221M | 220 | 108 | 125 | 4.50 | 6.00 |
| HI2213-401M | 400 | 208 | 230 | 4.00 | 6.00 |

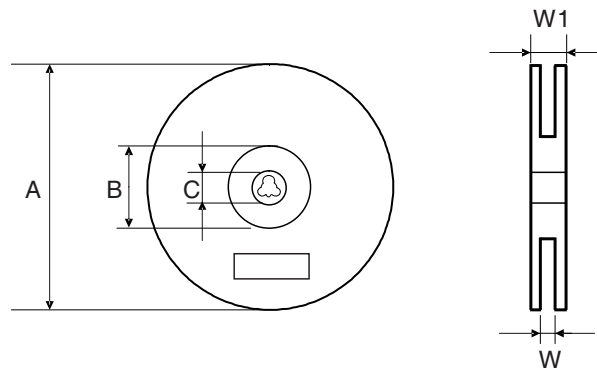
- Inductance tested at 100KHz, 1.0Vrms, 0.0Adc
- Heat Rating Current (Irms): Current that cause the temperature 40°C rise from 25°C
- Saturation Current (Isat): DC current at which the inductance drops 30% from its value without current

▶ Tape & Reel Specifications:



Unit: mm

| Type | Dimension | W | P | P1 | P2 | H | T |
|--------|-----------|------|------|------|------|-------|-------|
| | Tolerance | ±0.3 | ±0.1 | ±0.1 | ±0.1 | ±0.15 | ±0.05 |
| HI2213 | | 44.0 | 32.0 | 4.00 | 2.00 | 13.60 | 0.50 |



Unit: mm

| Type | Dimension | QTY Per Reel | A | B | C | W | W1 |
|---------|-----------|--------------|------|-----|------|------|------|
| | Tolerance | Pcs | ±2.0 | min | ±0.5 | ±0.5 | ±3.0 |
| HHI2213 | | 100 | 330 | 100 | 13.5 | 44.0 | 50.0 |