



## Features

- 12.8mmx13.2mmx6.8mm Shielded
- Inductance Range: 82uH - 220uH
- Current Range: 2.5A - 5A
- Frequency range up to 1MHz

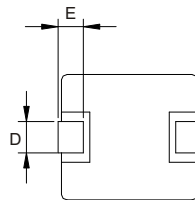
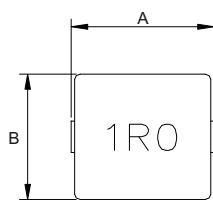
## Application

- PDA, notebook, desktop, and server applications.
- Low profile, high current power supplies
- Battery powered devices
- DC/DC converters in distributed power systems

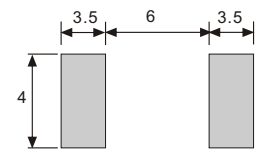
## General Specifications

- Storage temp range: -55°C to +125°C
- Operating temp range: -55°C to +125°C
- Resistance to Soldering Heat +260°C for 5-10 Sec.

## Dimensions & Configurations (Unit:mm)



Recommended Layout



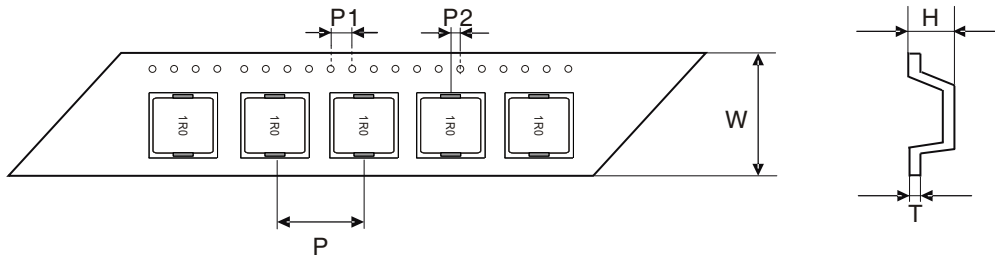
Type	A	B	C	D	E
HI1270	13.2±0.3	12.8±0.3	7.0Max	3.8±0.3	2.5±0.3

## Electrical Characteristics For HI1270 Series

Part Number	Inductance L0 [uH] (±20%) @0A	DCR [mΩ]		Heat Rating Current (Irms) [A] (Max.)	Saturation Current (Isat) [A] (Max.)
		(Typ.)	(Max.)		
HI1270-820M	82	104.0	125.0	2.0	5.0
HI1270-101M	100	115.0	140.0	1.8	3.5
HI1270-221M	220	365.0	380.0	1.2	2.5

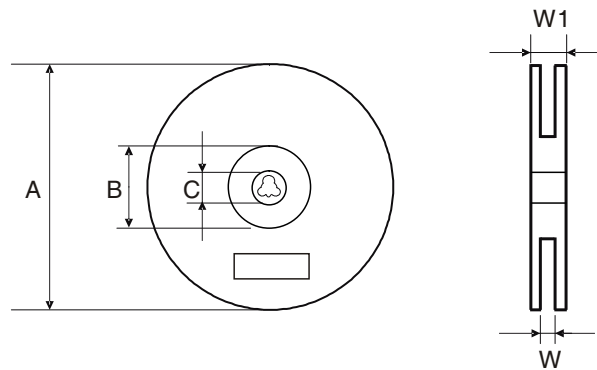
- Inductance tested at 100kHz, 1.0Vrms, 0.0Adc
- Heat Rating Current (Irms): Current that cause the temperature 40°C rise from 25°C
- Saturation Current (Isat): DC current at which the inductance drops 30% from its value without current

## ▶ Tape & Reel Specifications:



Unit: mm

Type	Dimension	W	P	P1	P2	H	T
	Tolerance	±0.3	±0.1	±0.1	±0.1	±0.15	±0.05
HI1270		24.0	16.0	4.00	2.00	7.75	0.40



Unit: mm

Type	Dimension	QTY Per Reel	A	B	C	W	W1
	Tolerance	Pcs	±2.0	min	±0.5	±0.5	±3.0
HI1270		400	330	100	13.5	24.4	30.4