

Stacked Metallized PPS Film Chip Capacitor ECHU(X) series



Stacked metallized PPS film as dielectric with simple mold-less construction

Features

- Small in size (Minimum size 1.6 mm × 0.8 mm)
- 85 °C, 85 %RH, W.V. × 1.0 for 500 hours
- For reflow soldering
- RoHS compliant

Recommended applications

- Time-constant
- Filtering
- Oscillation and resonance
- Audio circuit

Explanation of part number

| | | | | | | | | | | | | | |
|---------------|---------------|---------------------------|---------------|---------------|------------|-------------|---|---|-----------|----------------|----------|------------|---------------|
| 1 E | 2 C | 3 H | 4 U | 5 | 6 | 7 | 8 | 9 | 10 | 11 X | 12 | | |
| Product code | | Dielectric & construction | | Rated voltage | | Capacitance | | | Cap. Tol. | Suffix 1 | Suffix 2 | | |
| | | | | Code | R. voltage | | | | Code | Cap. Tol. | Code | Tape width | Reel diameter |
| | | | | 1 C | 16 V.DC | | | | G | ±2% | 5 | 8 mm | Φ180/ Φ330 mm |
| | | | | 1 H | 50 V.DC | | | | J | ±5% | 9 | 12 mm | Φ330 mm |

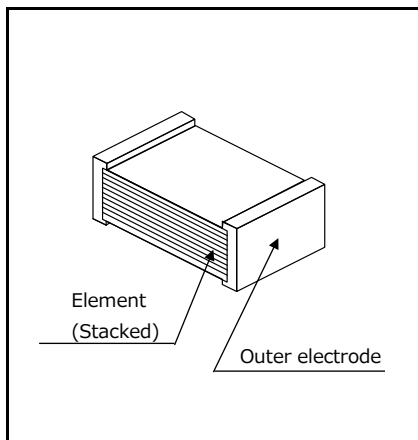
Specifications

| | | | |
|--|--|-----------------------------|--|
| Category temp. range (Including temperature-rise on unit surface) | -55 °C to +125 °C | | |
| Rated voltage | 16 V.DC, 50 V.DC (50 V.DC : 0.12 μF or more : Derating or rated voltage by 1.25 % / °C at more than 105 °C) | | |
| Capacitance range | 16 V.DC | 0.00010 μF to 0.10 μF (E12) | |
| | 50 V.DC | 0.00010 μF to 0.22 μF (E12) | |
| Capacitance tolerance | ±2 % (G), ±5 % (J) | | |
| Dissipation factor (tan δ) | tan δ ≤ 0.6 % (20 °C, 1 kHz) | | |
| Withstand voltage | Between terminals : Rated voltage (V.DC) × 150 % 60 s | | |
| Insulation resistance (IR) | 16 V.DC : IR ≥ 3000 MΩ (20 °C, 10 V.DC, 60 s) | | |
| | 50 V.DC : IR ≥ 3000 MΩ (20 °C, 50 V.DC, 60 s) | | |
| Soldering conditions | Reflow soldering : 260 °C max. and 95 sec max. at more than 220 °C (Temp. at capacitor surface) | | |

* Please consult us for flow soldering.

* In case of applying voltage in alternating current (50 Hz or 60 Hz sine wave) to a capacitor with DC rated voltage, please refer to the page of "Permissible voltage (R.M.S) in alternating current corresponding to DC rated voltage".

Construction



Dimensions

| Size code | L | W | H | e | g |
|-----------|-----|------|-----|------|-------|
| K1 | 1.6 | 0.8 | 0.7 | 0.35 | ≥ 0.4 |
| J1 | 2.0 | 1.25 | 0.9 | 0.45 | ≥ 0.6 |
| J2 | 2.0 | 1.25 | 1.1 | 0.45 | ≥ 0.6 |
| H1 | 3.2 | 1.6 | 0.9 | 0.65 | ≥ 1.0 |
| H2 | 3.2 | 1.6 | 1.1 | 0.65 | ≥ 1.0 |
| H3 | 3.2 | 1.6 | 1.5 | 0.65 | ≥ 1.0 |
| G1 | 3.2 | 2.5 | 1.1 | 0.65 | ≥ 1.0 |
| G2 | 3.2 | 2.5 | 1.5 | 0.65 | ≥ 1.0 |
| G3 | 3.2 | 2.5 | 2.1 | 0.65 | ≥ 1.0 |
| E1 | 4.8 | 3.3 | 1.5 | 0.80 | ≥ 2.0 |
| E2 | 4.8 | 3.3 | 2.1 | 0.80 | ≥ 2.0 |
| D1 | 6.0 | 4.1 | 1.9 | 0.80 | ≥ 2.0 |
| D3 | 6.0 | 4.1 | 2.5 | 0.80 | ≥ 2.0 |
| D4 | 6.0 | 4.1 | 2.8 | 0.80 | ≥ 2.0 |

Unit : mm

*1: To be applied only for size code J1, J2
*2: To be applied only for size code K1
*3: To be applied only for size code E1, E2, D1, D3, D4

Taping specification for automatic mounting

■ Refer to the page of taping specifications

Rating · Dimensions · Quantity

■ Capacitance tolerance : $\pm 2\%$ (G), $\pm 5\%$ (J)

| Capacitance (μ F) | Rated voltage 16 V.DC | | | | | Rated voltage 50 V.DC | | | | | | | |
|---------------------------|-----------------------|-----------------|------|-----|-----------|-----------------------|--------------|-----------------|------|-----|-----------|------|------|
| | Part No. | Dimensions (mm) | | | Size code | Q'ty | Part No. | Dimensions (mm) | | | Size code | Q'ty | |
| | | L | W | H | | | | L | W | H | | | |
| 0.00010 | ECHU1C101□X5 | 1.6 | 0.8 | 0.7 | K1 | 4000 | ECHU1H101□X5 | 2.0 | 1.25 | 0.9 | J1 | 3000 | |
| 0.00012 | ECHU1C121□X5 | 1.6 | 0.8 | 0.7 | K1 | | ECHU1H121□X5 | 2.0 | 1.25 | 0.9 | J1 | | |
| 0.00015 | ECHU1C151□X5 | 1.6 | 0.8 | 0.7 | K1 | | ECHU1H151□X5 | 2.0 | 1.25 | 0.9 | J1 | | |
| 0.00018 | ECHU1C181□X5 | 1.6 | 0.8 | 0.7 | K1 | | ECHU1H181□X5 | 2.0 | 1.25 | 0.9 | J1 | | |
| 0.00022 | ECHU1C221□X5 | 1.6 | 0.8 | 0.7 | K1 | | ECHU1H221□X5 | 2.0 | 1.25 | 0.9 | J1 | | |
| 0.00027 | ECHU1C271□X5 | 1.6 | 0.8 | 0.7 | K1 | | ECHU1H271□X5 | 2.0 | 1.25 | 0.9 | J1 | | |
| 0.00033 | ECHU1C331□X5 | 1.6 | 0.8 | 0.7 | K1 | | ECHU1H331□X5 | 2.0 | 1.25 | 0.9 | J1 | | |
| 0.00039 | ECHU1C391□X5 | 1.6 | 0.8 | 0.7 | K1 | | ECHU1H391□X5 | 2.0 | 1.25 | 0.9 | J1 | | |
| 0.00047 | ECHU1C471□X5 | 1.6 | 0.8 | 0.7 | K1 | | ECHU1H471□X5 | 2.0 | 1.25 | 0.9 | J1 | | |
| 0.00056 | ECHU1C561□X5 | 1.6 | 0.8 | 0.7 | K1 | | ECHU1H561□X5 | 2.0 | 1.25 | 0.9 | J1 | | |
| 0.00068 | ECHU1C681□X5 | 1.6 | 0.8 | 0.7 | K1 | | ECHU1H681□X5 | 2.0 | 1.25 | 0.9 | J1 | | |
| 0.00082 | ECHU1C821□X5 | 1.6 | 0.8 | 0.7 | K1 | | ECHU1H821□X5 | 2.0 | 1.25 | 0.9 | J1 | | |
| 0.0010 | ECHU1C102□X5 | 1.6 | 0.8 | 0.7 | K1 | | ECHU1H102□X5 | 2.0 | 1.25 | 0.9 | J1 | | |
| 0.0012 | ECHU1C122□X5 | 1.6 | 0.8 | 0.7 | K1 | | ECHU1H122□X5 | 2.0 | 1.25 | 0.9 | J1 | | |
| 0.0015 | ECHU1C152□X5 | 1.6 | 0.8 | 0.7 | K1 | | ECHU1H152□X5 | 2.0 | 1.25 | 0.9 | J1 | | |
| 0.0018 | ECHU1C182□X5 | 1.6 | 0.8 | 0.7 | K1 | | ECHU1H182□X5 | 2.0 | 1.25 | 0.9 | J1 | | |
| 0.0022 | ECHU1C222□X5 | 1.6 | 0.8 | 0.7 | K1 | ECHU1H222□X5 | 2.0 | 1.25 | 0.9 | J1 | | | |
| 0.0027 | ECHU1C272□X5 | 1.6 | 0.8 | 0.7 | K1 | ECHU1H272□X5 | 2.0 | 1.25 | 0.9 | J1 | | | |
| 0.0033 | ECHU1C332□X5 | 2.0 | 1.25 | 0.9 | J1 | 3000 | ECHU1H332□X5 | 3.2 | 1.6 | 0.9 | H1 | 2000 | |
| 0.0039 | ECHU1C392□X5 | 2.0 | 1.25 | 0.9 | J1 | | ECHU1H392□X5 | 3.2 | 1.6 | 0.9 | H1 | | |
| 0.0047 | ECHU1C472□X5 | 2.0 | 1.25 | 0.9 | J1 | | ECHU1H472□X5 | 3.2 | 1.6 | 0.9 | H1 | | |
| 0.0056 | ECHU1C562□X5 | 2.0 | 1.25 | 0.9 | J1 | | ECHU1H562□X5 | 3.2 | 1.6 | 0.9 | H1 | | |
| 0.0068 | ECHU1C682□X5 | 2.0 | 1.25 | 0.9 | J1 | | ECHU1H682□X5 | 3.2 | 1.6 | 0.9 | H1 | | |
| 0.0082 | ECHU1C822□X5 | 2.0 | 1.25 | 1.1 | J2 | | ECHU1H822□X5 | 3.2 | 1.6 | 1.1 | H2 | | |
| 0.010 | ECHU1C103□X5 | 2.0 | 1.25 | 1.1 | J2 | | ECHU1H103□X5 | 3.2 | 1.6 | 1.1 | H2 | | |
| 0.012 | ECHU1C123□X5 | 3.2 | 1.6 | 0.9 | H1 | | ECHU1H123□X5 | 3.2 | 2.5 | 1.1 | G1 | | 2000 |
| 0.015 | ECHU1C153□X5 | 3.2 | 1.6 | 0.9 | H1 | | ECHU1H153□X5 | 3.2 | 2.5 | 1.1 | G1 | | |
| 0.018 | ECHU1C183□X5 | 3.2 | 1.6 | 0.9 | H1 | | ECHU1H183□X5 | 3.2 | 2.5 | 1.5 | G2 | | |
| 0.022 | ECHU1C223□X5 | 3.2 | 1.6 | 0.9 | H1 | | ECHU1H223□X5 | 3.2 | 2.5 | 1.5 | G2 | | |
| 0.027 | ECHU1C273□X5 | 3.2 | 1.6 | 1.1 | H2 | | ECHU1H273□X5 | 3.2 | 2.5 | 1.5 | G2 | | 3000 |
| 0.033 | ECHU1C333□X5 | 3.2 | 1.6 | 1.1 | H2 | | ECHU1H333□X5 | 3.2 | 2.5 | 2.1 | G3 | | |
| 0.039 | ECHU1C393□X5 | 3.2 | 1.6 | 1.5 | H3 | | ECHU1H393□X5 | 3.2 | 2.5 | 2.1 | G3 | | |
| 0.047 | ECHU1C473□X5 | 3.2 | 1.6 | 1.5 | H3 | | ECHU1H473□X9 | 4.8 | 3.3 | 1.5 | E1 | | |
| 0.056 | ECHU1C563□X5 | 3.2 | 2.5 | 1.5 | G2 | | 2000 | ECHU1H563□X9 | 4.8 | 3.3 | 1.5 | | E1 |
| 0.068 | ECHU1C683□X5 | 3.2 | 2.5 | 1.5 | G2 | ECHU1H683□X9 | | 4.8 | 3.3 | 1.5 | E1 | | |
| 0.082 | ECHU1C823□X5 | 3.2 | 2.5 | 2.1 | G3 | ECHU1H823□X9 | | 4.8 | 3.3 | 2.1 | E2 | | |
| 0.10 | ECHU1C104□X5 | 3.2 | 2.5 | 2.1 | G3 | ECHU1H104□X9 | | 4.8 | 3.3 | 2.1 | E2 | | |
| 0.12 | | | | | | ECHU1H124□X9 | 6.0 | 4.1 | 1.9 | D1 | 2000 | | |
| 0.15 | | | | | | ECHU1H154□X9 | 6.0 | 4.1 | 1.9 | D1 | | | |
| 0.18 | | | | | | ECHU1H184□X9 | 6.0 | 4.1 | 2.5 | D3 | | | |
| 0.22 | | | | | | ECHU1H224□X9 | 6.0 | 4.1 | 2.8 | D4 | | | |

* □ : Capacitance tolerance code

Recommended for land dimensions

| Size code | Land dimensions | | |
|------------|-------------------|-----|-----|
| | Refl ow soldering | | |
| | A | B | C |
| K1 | 0.6 | 2.0 | 0.7 |
| J1, J2 | 0.8 | 2.4 | 1.1 |
| H1, H2, H3 | 1.8 | 3.6 | 1.4 |
| G1, G2, G3 | 1.8 | 3.6 | 2.3 |
| E1, E2 | 3.0 | 5.6 | 3.0 |
| D1, D3, D4 | 4.0 | 7.0 | 3.8 |

Unit : mm

* It is not warrantable that you can mount the capacitor without trouble under all the mounting condition when "Recommender for Land dimensions" is adopted.

Guidelines and precautions regarding the technical information and use of our products described in this online catalog.

- If you want to use our products described in this online catalog for applications requiring special qualities or reliability, or for applications where the failure or malfunction of the products may directly jeopardize human life or potentially cause personal injury (e.g. aircraft and aerospace equipment, traffic and transportation equipment, combustion equipment, medical equipment, accident prevention, anti-crime equipment, and/or safety equipment), it is necessary to verify whether the specifications of our products fit to such applications. Please ensure that you will ask and check with our inquiry desk as to whether the specifications of our products fit to such applications use before you use our products.
- The quality and performance of our products as described in this online catalog only apply to our products when used in isolation. Therefore, please ensure you evaluate and verify our products under the specific circumstances in which our products are assembled in your own products and in which our products will actually be used.
- If you use our products in equipment that requires a high degree of reliability, regardless of the application, it is recommended that you set up protection circuits and redundancy circuits in order to ensure safety of your equipment.
- The products and product specifications described in this online catalog are subject to change for improvement without prior notice. Therefore, please be sure to request and confirm the latest product specifications which explain the specifications of our products in detail, before you finalize the design of your applications, purchase, or use our products.
- The technical information in this online catalog provides examples of our products' typical operations and application circuits. We do not guarantee the non-infringement of third party's intellectual property rights and we do not grant any license, right, or interest in our intellectual property.
- If any of our products, product specifications and/or technical information in this online catalog is to be exported or provided to non-residents, the laws and regulations of the exporting country, especially with regard to security and export control, shall be observed.

<Regarding the Certificate of Compliance with the EU RoHS Directive/REACH Regulations>

- The switchover date for compliance with the RoHS Directive/REACH Regulations varies depending on the part number or series of our products.
- When you use the inventory of our products for which it is unclear whether those products are compliant with the RoHS Directive/REACH Regulation, please select "Sales Inquiry" in the website inquiry form and contact us.

We do not take any responsibility for the use of our products outside the scope of the specifications, descriptions, guidelines and precautions described in this online catalog.

PRECAUTION AND WARNING

- Please consult us in case that demand the specification of our company without fail and do the confirmation of the use condition and that exceeds the entry value and be indistinct when you use it.
- The film capacitors contain a film based dielectric which may be flammable under certain operating conditions. When in use, they can either emit smoke and/or ignite should the product be defective. It is recommended covering the surrounding resin with flame-resistant materials or case as needed particularly.
- In the event of troubles of other parts on the circuit such as shortening and opening, provide with proper means for preventing excessive voltage, current or temperature exceeding the rating from being applied to the film capacitor.
- Prior to use, please make sure that failure of the film capacitors does not have any negative effects on other surrounding electronic circuit components and devices that would possibly cause damage. Proper safety measures should be taken using fail-safe protective circuit designs to help prevent other devices of becoming unsafe.

Example:

- a. State in which basic performance of automobiles (run, turn and stop)
 - b. False operations
 - c. Smoke emission/ignitions
- The Film Capacitor listed in this catalog(except for automotive series) are designed and manufactured specifically for general electronic devices, including audio-video equipment, home appliance, office equipment and data communication equipment etc.. Accordingly, it is strongly recommended that the user contact us in advance if the parts are to be used for the following devices(items 1 -12), which require having advanced security measures. The capacitor for automotive can be used for automobiles such as xEV.
 - (1) Transport Equipment (motor vehicles, airplanes, trains, ships, traffic signal controllers)
 - (2) Medical Equipment (life-support equipment, pacemakers for the heart, dialysis controllers)
 - (3) Aircraft Equipment, Aerospace Equipment (airplanes, artificial satellites, rockets, etc.)
 - (4) Submarine Equipment (submarine repeating equipment, etc.)
 - (5) Generation Control Equipment (equipment for atomic/hydraulic/heat power plants)
 - (6) Information Processing Equipment (large scale computer system)
 - (7) Electric Heating Appliance, Burning Apparatus
 - (8) Rotary Motion Equipment
 - (9) Security Systems
 - (10) Robots
 - (11) Lighting Equipment
 - (12) And any similar types of equipment
 - If used in a specific appliance that requires an extremely high reliability directly relating with any life-supporting equipment like electronic aviation controllers, automotive driving controllers and engine controllers, please consult us and use within the conditions designated in the specification. However the chip type capacitor should not be used in these appliances.

Note:

1. Technical information in this catalog is intended to convey examples of typical performances and/or applications, and is not intended to convey patents rights, if any.
2. For the products, which are controlled items subject to the Foreign Exchange and Foreign Trade Control Law, the export permission according to the Law is necessary.
3. Note of ozone depleting substances of class1 (ODS) under the Montreal Protocol is used in manufacturing process of Device Solutions Business Division, Panasonic Corporation.

⚠ Guidelines and precautions (Common)

(Target product : ECQE, ECWF, ECWH, ECQU, ECHU, ECWU, ECPU)

1. Operating voltage

For the film capacitor varies the maximum applicable voltage depending on the applied voltage waveform, current waveform, frequency, ambient temperature (capacitor surface temperature), capacitance value, etc. Use within the specified values by checking the voltage waveform, current waveform, and frequency applied to both ends of the capacitor prior to use. (In the case of high frequency, the permissible voltage varies with the type of the capacitor. For details please see the relevant specifications.)

1.1 Rated voltage (Note 1)

- The rated voltage refers to the maximum voltage that can be applied continuously within the category temperature range. If used beyond the rating, it may induce insulation breakdown of the film and cause short circuit. The product lifetime about the maximum rated condition depends on the kind of the capacitor.
- In a metalized capacitor, which has a self-healing action, short circuit or other failure may not occur immediately after application of a voltage over the rated voltage, but the insulation resistance is lowered, and it may lead to smoke or fire depending on the circuit conditions.
- A noise suppression capacitor (AC rated voltage) should not be used at high frequency circuit. Smoke and ignition may be caused by conditions for use.
- The rated voltage of the capacitor for electronic appliance is usually indicated in the DC voltage except for special purposes.

1.2 Derating of rated voltage where operating temperature is high

In film capacitors, the usable upper limit temperature (the capacitor surface temperature) is determined by the kind of dielectric materials.

When used beyond the rated upper limit temperature (usable upper limit temperature), it is necessary to voltage derate the in certain types (models), while other types (models) cannot be used beyond the rated upper limit temperature. Be sure to confirm the type of capacitors before using, and when using beyond the rated upper limit temperature, be sure to reduce the voltage and make sure the capacitor surface temperature is within the usable upper limit temperature as below. When using at high frequency, however, since the capacitor itself has its own temperature rise, and hence the following derating ratio cannot be applied.

<Rated upper limit temperature, Upper category temperature, and derating ratio of upper category temperature by types in DC use> (Example)

| Dielectric | Type | Rated upper limit temperature | Upper category temperature | Rated voltage by the temperature beyond Rated upper limit temperature |
|-------------------------------|--|-------------------------------|----------------------------|---|
| Polyester(PET) | ECQE(F) | 85°C | 105°C | 1.25%/°C |
| | ECQE(B) | | | |
| | ECQE(T) | | | |
| Polypropylene (PP) | ECWF(A) rated voltage DC250V ECWF(L) ECWH(A) ECWH(C) | 105°C | 105°C | No need derating of rated voltage |
| | ECWF(A) rated voltage DC450V ECWF(A) rated voltage DC630V ECWH(V) | 85°C | 105°C | 1.25%/°C |
| | ECWFE rated voltage DC450V | 85°C | 105°C | 1.0%/°C |
| | ECWFD rated voltage DC630V ECWFE rated voltage DC630V | | | |
| | ECWFD rated voltage DC450V | 85°C | 110°C | 0.62%/°C |
| | ECWFG rated voltage DC630V | 85°C | 110°C | 1.0%/°C |
| polyethylene naphthalate(PPS) | ECWU(X) | 105°C | 105°C | No need derating of rated voltage |
| | ECWU(C) | 85°C | 125°C | 1.25%/°C |
| | ECWU(V16) | 85°C | 85°C | No need derating of rated voltage |
| polyphenylene sulfide(PPS) | ECHU(X) rated voltage DC16V ECHU(X) rated voltage DC50V (capacitance 0.0001μF~0.10μF) | 125°C | 125°C | No need derating of rated voltage |
| | ECHU(X) rated voltage DC50V (capacitance 0.12μF~0.22μF) | 105°C | 125°C | 1.25%/°C |
| | ECHU(C) | 105°C | 105°C | No need derating of rated voltage |
| Acrylic resin | ECPU(A) | 85°C | 85°C | No need derating of rated voltage |

- The AC rated voltage items are unnecessary for voltage derating by the temperature.
 Rated upper limit temperature : The upper limit temperature which can't reduce the voltage and can use continuously. (including own temperature rise)
 Upper category temperature : The upper limit temperature which can reduce the voltage and use continuously. (including own temperature rise)

● **(Example)** Derating of rated voltage to operating temperature. Rated upper limit temperature 85°C, Upper category temperature 105°C, Derating of rated voltage to which is 1.25 %/°C at more than 85 °C



1.3 Permissible voltage (R.M.S) in current corresponding to DC Rated Voltage

- A noise suppression capacitor (AC rated voltage) should be used at the primary side power supplies. The design which premised on use by 50Hz or 60Hz sine wave.
- In case of applying voltage in alternating current (50Hz or 60Hz sine wave) to a capacitor, permissible voltage(R.M.S).The capacitor of DC rating should not be used at the primary side power supplies.

1.4 Derating of rated voltage when using at high frequency

When using at high frequency, there is a risk of thermal runaway (smoke, fire) due to self heat generation in the capacitor. Derate the operating voltage according to the example below.

For use at high frequency, we recommend ECHU(X)/(C), ECWF(A)/(L), and ECWH(A)/(C)/(V) types.

<Derating example of operating voltage>

Capacitor used : ECWF2154JA (250 VDC, 0.15 μF)

Operating frequency : 40 kHz (sine wave)

Permissible current (entry the value from specification) : 40 kHz, 2.0 Arms

$$V = \frac{I}{2\pi fC} = \frac{2.0}{2 \times 3.14 \times 40 \times 10^3 \times 0.15 \times 10^{-6}} = 53 \text{ Vrms}$$

Therefore, the operating voltage at sine wave 40 kHz is lower than to 53 Vrms (derating ratio 58%), as compared with AC permitted voltage of 125 Vrms at commercial frequency.

(It is necessary to derate until the self heating temperature rise of the capacitor is below the specified value.)

Notes

- (1) Use the peak value (Vo-p) of the Pulse voltage applied between the both terminals of the capacitor within the DC rated voltage.
- (2) When using at high frequency, it may lead to breakdown due to withstand voltage deterioration by self heat generation. Therefore, measure the self heating temperature rise value of the capacitor, and make sure it is within the specified.
- (3) Protection for safety should be required in the case of the voltage over the rated voltage (permitted voltage) may be applied to the capacitor due to abnormal action such as trouble elsewhere in the circuit.

2. Permitted current

Film capacitors are low in internal impedance, and hence a very large current may flow depending on the circuit. In particular, when turning power switch on and off, make sure a very high pulse current may flow.

When a current exceeding the permissible range flows into capacitor, this can cause the capacitance value to deteriorate or an open circuit condition, temperature rise occurs due to self heat generation, this cause can deterioration of withstand voltage and result in short circuit, possibly leading to smoke or fire.

In the application, make sure current is within permissible current or self heating temperature is within permissible self heating temperature rise limit shown on each delivery specifications.

2.1 Permissible current

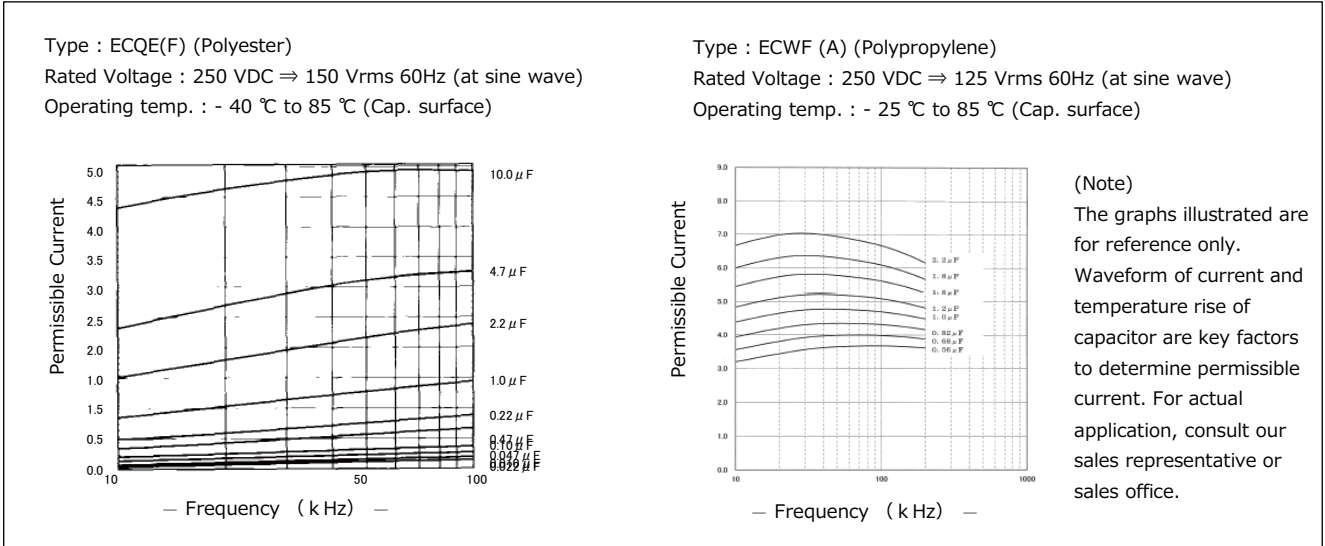
The permissible current must be considered by dividing into pulse current (peak current) and continuous current (rms current) depending on the breakdown mode, and when using, therefore, make sure the both currents are within the permissible values.

2.2 Permissible current to operating frequency

The film capacitor varies in the frequency characteristic of the dissipation factor ($\tan\delta$) depending on the dissipation factor, and hence the permissible rms current for operating frequency differs depending on the capacitor type. In particular, when operating at high frequency, the dissipation factor ($\tan\delta$) increases, and when using over the permissible current, it may include the thermal runaway, possibly leading to smoke or fire. Shown below are typical examples of permissible current by frequency (rms value) of the ECQE(F) type using polyester film and ECWF(A) type using polypropylene film. For detail inquire us by presenting the operating conditions, or make sure the own temperature rise of the capacitor and the capacitor surface temperature are within the permissible range in the worst operating conditions.

2.3 The capacitance and the permissible currents

The permissible rms current varies with the capacitance value. The permissible current (rms) values by the frequencies and by the capacitance of representative types are shown below. In actual use, inquire us for detail by measuring the voltage and current waveforms, ambient temperature, and own temperature rise.



2.4 Permissible current to pulse current

- When used in switching circuits or snubber circuits a momentary high current pulse may cause local heat generation. This causing the capacitance value to deteriorate or an open circuit condition. Local heat generation may also induce smoke or fire. The pulse permissible current (10000 times) isobtained by the product of dV/dt (V/μs) value that is entering to the specification and capacitance (μF).
- The dV/dt (V/μs) value of a film capacitor is determined by the element structure, and in the metalized type, in particular, the internal evaporated electrode and external takeout electrode are connected by metalized contact (metal spraying), and hence due caution is needed because the upper limit of dV/dt value is low.
- The dV/dt values corresponding to rated voltage and capacitance value of representative types are shown in page 6. When used in a high current pulse circuit, check the pulse permissible current (Ao-p).
- Please contact with us, If pulses are applied more than 10,000 times.

<How to determine pulse permissible current>

- When voltage V(V) is applied to capacitor C (F for farad), the electric charge Q(C) is expressed in formula ①.

$$Q=C.V.....①$$

- The charging current I(A)flow in the capacitor at this time is expressed in formula ②.

$$I=dQ/dt.....②$$

- Differentiating both sides of formula ① by timet and putting into formula ② yields formula ③.

$$dQ/dt=C.dV/dt$$

$$I=C.dV/dt③$$

- Therefore, the pulse current is determined as theproduct of the capacitance value C (μF) andvoltage change dV/dt per μs.

product of the capacitance value C (μF) and voltage change dV/dt per μs.

(Example) In the case of ECQE4224KF (permissible dV/dt)

Rated voltage : 400VDC,
 Capacitance : 0.22μF,
 permissible dV/dt value : 37

pulse permissible current : 0.22 (μF)×37≐8 Ao-p

(however, number of repetitions is 10,000 times or less), that is, momentary pulse current can be used up to 8 Ao-p.

Make sure the rms current is within the permissible value.

[ECQE (F) Permissible dV/dt value<within 10,000pulses>]

Unit : V/μs

| (Cap. : μ F) | Type | | | | | | | |
|--------------|--------------------|-------------------|--------------------|---------------------|----|----|----------|--------------------|
| | ECQE(F) 100VDC | ECQE(F) 250VDC | ECQE(F) 400VDC | ECQE(F) 630VDC | | | | |
| 103 (0.010) | 48 | 48 | 131 *(7.5P) | 273 *(10.0P) | | | | |
| 123 (0.012) | | | | | | | | |
| 153 (0.015) | | | | | | | | |
| 183 (0.018) | | | | | | | | |
| 223 (0.022) | | | | | | | | |
| 273 (0.027) | | | | | | | | |
| 333 (0.033) | | | | | | | | |
| 393 (0.039) | | | | | | | | |
| 473 (0.047) | | | | | | | | |
| 563 (0.056) | | | | | | | | |
| 683 (0.068) | | | | | | | | |
| 823 (0.082) | | | | | | | | |
| 104 (0.10) | | | | | | | | |
| 124 (0.12) | | | | | | | | |
| 154 (0.15) | | | | | | | | |
| 184 (0.18) | | | | | | | | |
| 224 (0.22) | | | | | | | | |
| 274 (0.27) | | | | | | | | |
| 334 (0.33) | 33 *(10.0P) | 37 | *(10.0P) | 116 *(15.0P) | | | | |
| 394 (0.39) | | | | | | | | |
| 474 (0.47) | | | | | | | | |
| 564 (0.56) | 22 *(10.0P) | 18 | 22 *(15.0P) | 63 *(22.5P) | | | | |
| 684 (0.68) | | | | | | | | |
| 824 (0.82) | | | | | | | | |
| 105 (1.0) | | | | | | | | |
| 125 (1.2) | | | | | 11 | 10 | *(22.5P) | 48 *(27.5P) |
| 155 (1.5) | | | | | | | | |
| 185 (1.8) | | | | | | | | |
| 225 (2.2) | | | | | | | | |
| 275 (2.7) | | | | | | | | |
| 335 (3.3) | | | | | 6 | 8 | *(27.5P) | *(27.5P) |
| 395 (3.9) | | | | | | | | |
| 475 (4.7) | | | | | | | | |
| 565 (5.6) | | | | | | | | |
| 685 (6.8) | | | | | | | | |
| 825 (8.2) | | | | | | | | |
| 106 (10.0) | | | | | | | | |

⚠ Caution!

Protective means for safety should be provided in case the pulse and rms current may exceed the

* Asterisk denotes the lead pitch.

The value of dV/dt is mainly determined by the lead spacing (element width) and element sectional area.

3. Operating temperature range

3.1 Own temperature rise

When the film capacitor is used in an AC circuit, especially in high frequency application, the capacitor generates heat by itself from the flow of current. If the self heat generation is large, the capacitor may deteriorate, and smoke or fire may occur. Check the self heating temperature rise value in actual conditions of use, and use within the limit specified.

Measure the own temperature rise value in indoor, wind-free condition.

* The details of self heating temperature rise value are described in the specification. (Please contact us details as the specifies value varies by each type.)

3.2 Operating temperature range

The operating temperature range of the film capacitors varies with the dielectric material (kind of films), and the usable temperature range is specified in the each model.

It must be noted, however, that the temperature range mentioned in the catalogue is the surface temperature of the film capacitor, not the ambient temperature of the capacitor.

In actual use, make sure the sum of the ambient temperature + capacitor's self heating temperature rise value (within specified value), that is, the capacitor surface temperature should be within the rated operating temperature.

⚠ Caution!

When used above the specified operating temperature, dissipation factor ($\tan\delta$) increase, and the self heat generation may exceed the permissible value, possibly causing deterioration of dielectric film, short circuit, and smoke or fire.

If there is cooling plate of other part or any resistance heated to high temperature near the film capacitor, the capacitor may be locally heated by the radiation heat, exceeding the operating temperature range, and smoke or fire may be caused.

Check the capacitor surface temperature at the heat source side.

4. Other cautions**4.1 Flame retardation**

- The dielectric film is not a flame retardant material.
- In the ECQE, ECWF, and ECWH types, flame retardant epoxy resin (94V-0) is used in the coating resin.

4.2 Environments of use**4.2.1 When used in humid environments**

When used for a long period in humid environments, the elements absorb moisture through the coating with the passing of the time. The water oxidizes the electrode (evaporated film and metalized contact), and leads to trouble. Also, make sure the capacitance value can be very large depending on type of the capacitor.

4.2.2 When using in high temperature environment

When ECQUG is used in high temperature environment (more than 70°C), it may be possible to cause leaking oil from the capacitor. However, the quality and reliability of the capacitor is not affected by the leaking oil. But, please don't use the part which may cause a point of contact obstacle by oil and this condenser by a same set.

4.2.3 Cautions on gas atmosphere

When using in the oxidizing gas such as hydrogen chloride, hydrogen sulfide and sulfurous acid, the evaporated electrode (Aluminum) or metalized contact (zinc compound) may be oxidized, may result in smoke or fire. Avoid such atmosphere.

4.2.4 When using by resin coating

When using resin coating or resin potting components to improve humidity resistance or gas resistance, or to fix parts in place. Please contact with us.

- The solvent or the constituent in the resin may permeate into the metalized contact or electrode (aluminum foil or evaporated film) to deteriorate characteristics.
- When hardening the resin, chemical reaction heat (curing heat generation) occurs, which may adversely affect the capacitor.
- In the case of the lead type capacitors, be sure to test and evaluate enough for the thermal stress to the capacitor.

4.2.5 Other

- When using in the following conditions, the characteristic may be deterioration. Please don't use at such conditions.
 - The place that took water or oil.
 - The place that exposed to the direct sunlight.
 - The place that radiated ozone, ultraviolet rays and radiation rays.
- Please consider so that dust doesn't collect. That will be the cause of the characteristic deterioration (short circuit, etc.).

4.3 Changes in capacitance value over time

- The capacitor characteristics change characteristic depending on its ambient conditions and environmental conditions. In natural conditions, there is a certain capacitance change due to the humidity of the circumstance. The degree of such capacitance changes varies with the dielectric material, coating material, and structure. Therefore, we ship considering these changes, but we only guarantee capacitance value until delivery (without each arrangements.)
- For use in a circuit where time constant and capacitance precision are required, use the products of polypropylene film ECWFD/(A)/(L), ECWH(A) or film ECHU(X)/(C) which vary less with time.

4.4 Hum (Buzz)

- Hum produced by capacitors due to mechanical vibration of the film is caused by the coulomb force which exists between electrodes of opposite polarity. A louder hum is produced when applied voltage waveform has distortion, and/or higher frequency component, etc. Although Hum does not spoil characteristics of capacitors, when being used around the audio frequency, please check it.

4.5 Storing method, storing conditions

- It must be noted that the solderability of the external electrode may deteriorate when stored in an atmosphere filled with moisture, dust, or a reactive oxidizing gas (hydrogen chloride, hydrogen sulfide, sulfuric acid).
- Should not location with particularly high temperature and high humidity, and store in conditions not exceeding 35 °C and 85 % RH.
- When it is kept for a long term, the solderability of the external electrode may deteriorate for oxidation of electrode surface. So we recommend keeping-period is within 6 month. Further, it's different in the condition depending on the items, so please inquire for details.

4.6 Handling Pre cautions

- Sudden charging or discharging may cause deterioration of capacitor such as shorting and opening due to charging or discharging current. When charging or discharging, pass through a resistance of 20 to 1000 Ω/V or more.
- When connecting multiple film capacitors in parallel in withstand voltage test or life test, connect a resistance of 20 to 1000 Ω/V or more in series to each capacitor.
- Be careful not to scratch the capacitor surface with sharp edges (such as screwdriver, soldering iron, pincers, chassis). Don't apply excessive load to the lead wire (at the time of re-processing of lead wire, etc.).
- If the capacitor is dropped by mistake, its characteristics may be damaged. Don't use such a capacitor. (If reusing, check the quality sufficiently.)
- In the case of leaded type capacitor, be careful not to apply excessive force to the lead wire root area, which may cause cracking or separation in the coating resin near the root area.
- No dust or water should be permitted to remain on the surface of capacitor terminals as this may cause electrical leakage or corrosion.
- When used for noise suppression between lines and between line to earth when voltage is more than 30VAC and more than 45VDC, covering peripheral resin part by flame retardant material or flame retardant case (for avoiding fire) is recommended.
- Chip type capacitor is developed assuming normal use of surface mounting parts. Abnormal use (ex: piling up two capacitors, mounting capacitor in upright position, etc.) should not be permitted. Please consult us in advance if used in different way from normal.

4.7 Additional Points

- The precautions in using film capacitors follow the JEITA RCR-2350 D "Safety Application Guide for fixed plastic film capacitors for use in electronic equipment". Please refer to the above guideline.
- Product specifications, materials and other points mentioned in the catalog may be changed without notification.

(Note 1) Rated voltage

The maximum voltage that can be applied continuously in spite of temperature is called as the rated voltage in our company. It's different from the standards of JIS and IEC.

* Definition of our company

The maximum voltage that can be applied continuously within the category temperature range.

- * Even when needing derating voltage at high temperature, the voltage after derating is called the rated voltage. Therefore the maximum voltage that can be applied continuously at upper category temperature is being also called the rated voltage.

⚠ Guidelines and precautions (Chip type)

(Target product : ECHU, ECWU, ECPU)

1. Soldering

Although there are specific restrictive conditions for the chip type, please check and consider the following items in order to guarantee soldering quality. Please consult us when using part adhesive for mounting because there is a possibility that type of adhesive affects the characteristic and the reliability of capacitor.

1.1 Printed wiring board

1.1.1 Selection of printed wiring board

The chip parts are directly mounted on the printed wiring board without using lead wires, and therefore thermal expansion of the printed wiring board may affect the characteristic of the film chip capacitor, and hence the following cautions should be observed.

<Remarks for selecting the printed wiring board>

| Item | Point of notice |
|--|---|
| Coefficient of thermal expansion of printed wiring board | If there is a large difference in coefficient of thermal expansion between the capacitor and Printed wiring board, a mechanical stress is applied due to temperature changes after mounting, and the element main body may be changed, the soldered area may be cracked, and the performance may be lowered. Check sufficiently beforehand. |

<Coefficient of thermal expansion>

| Type of Printed wiring board Item | Film chip capacitor | | | Resin Printed wiring board | | | Ceramic Printed wiring board |
|--|---------------------------|---------------------------|---------------------------|----------------------------|-------------|-------------|------------------------------|
| | ECHU(X)/(C) (PPS film) | ECWU(X)/(C) (PEN film) | ECPU(A) (Plastic film) | Paper phenol | Paper epoxy | Glass epoxy | Alumina |
| Coefficient of thermal expansion ($\times 10^{-6}/^{\circ}\text{C}$) | 22 | 10 | 70 | 1-30 | 1-15 | 1-25 | 7-8 |

1.1.2 Parts layout on Printed wiring board

Film chip capacitors, unlike the leaded type film capacitors do not have coating.

Retaliated heat from a near by heated components may cause the temperature to exceed the usable temperature range.

Without coating, if there is an exposed live part in the vicinity, a short circuit may be formed through the capacitor. Consider the arrangement.

1.1.3 Land dimension design

If the land area is wide, tombstone phenomenon (chip rising) is likely to occur in relation to the solder amount.

It is disadvantageous for keeping the mount clearance of the mounting machine, but it is advised to design in the recommended land dimension shown each specifications.

1.2 Flow soldering

In flow soldering, the chip part capacitor is soaked in molten solder. Film capacitor has lower heat resisting temperature than other capacitors, therefore cannot be used in flow soldering.

1.3 Reflow soldering

Reflow soldering is a method of soldering by printing a proper amount of cream solder on the mounting land of the surface mount Printed Wiring Board, putting a film chip capacitor thereon heating, and fusing the cream solder to fix.

1.3.1 Reflow soldering conditions

Perform reflow soldering within the following temperature profile.

(Soldering is within twice, the second dip should be carried after the capacitor itself has returned to normal temperature.)

| Method | Recommendable condition | Note |
|------------------|-------------------------|--|
| Reflow soldering | | External temperature of P. W. Board will be different according to P. W. Board materials and soldering method. |

* When performing reflow soldering, an appropriate coating thickness of cream solder is 0.10 mm to 0.15 mm.

1.3.2 Precautions for reflow soldering

- The film chip capacitor has no coating on the capacitor element, and the internal evaporated electrode may be deteriorated due to activating agent (halogen, etc.) in the cream solder, and the capacitance value may decrease, dissipation factor ($\tan \delta$) may increase, or the characteristic may be deteriorated. Use cream solder with halogen content of 0.1 wt.% or less.
- When washing right after soldering, make sure the capacitor surface temperature is lower than 60 °C.
- The maximum temperature reached on the element surface in reflow is as follows. If a higher temperature is applied, abnormality may occur on the appearance or electrical characteristics.

| Type | Max. temperature on element surface |
|-------------|-------------------------------------|
| ECHU(X)/(C) | 260°C |
| ECWU(X)/(C) | 250°C |
| ECPU(A) | 240°C |

If exceeding the specified temperature, it must be noted that the reliability of the part cannot be guaranteed.

The moisture-proof packaging is made ECWU and ECPU. When that's opened, a capacitor absorbs moisture, and soldering heat-resistance falls to a low level. Please confirm the notice after opening. The notice in detail has decided on Approval Specification.

1.4 When using soldering iron

With a soldering iron, high temperature is directly applied to the film chip capacitor. Abide by the following soldering iron conditions, and strictly control the iron tip temperature

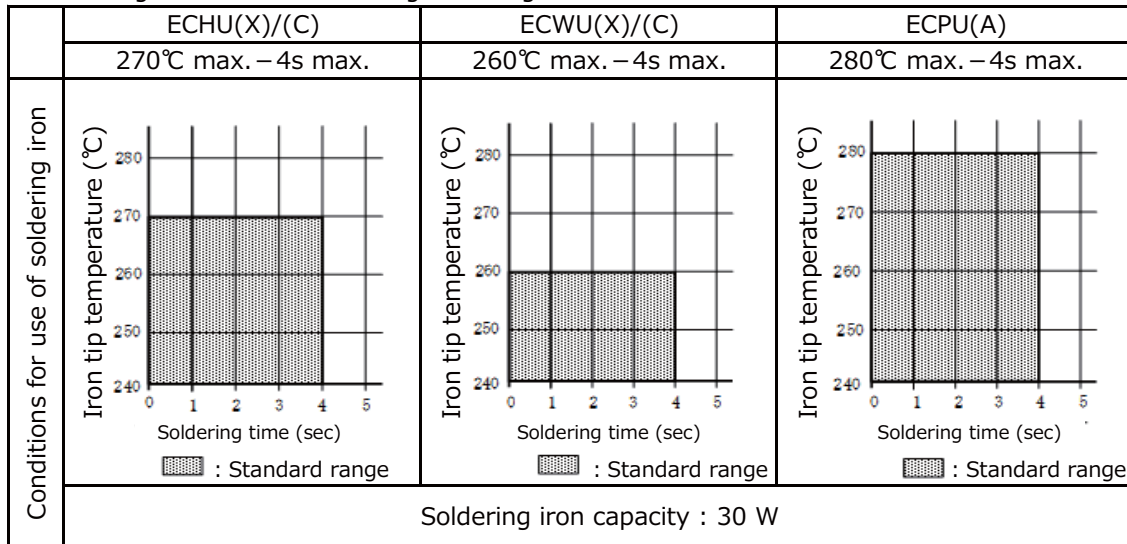
1.4.1 Soldering conditions when using soldering iron.

Observe the following cautions, and use within the soldering conditions next page.

1.4.2 Cautions for use of soldering iron

- Be careful that the soldering irons do not directly touch the main body of the film chip capacitor. In particular, don't touch the side (cut section). If touched by the heated soldering iron, lowering of insulation resistance, shortcircuit or other characteristic deterioration may occur.
- Preheat the printed wiring board land sufficiently with the soldering iron, and then solder. Solder without directly touching the iron tip to the electrode of the capacitor.
- Don't reuse the products once removed by the soldering irons.
- Should not mount the film chip capacitors in the mass production by soldering iron. (The temperature control is difficult, and the characteristics may be deteriorated.)

* Soldering conditions when using soldering iron.



1.5 Other soldering

Should not resolder with heat directly from bottom side of P. W. Board. because capacitor will likely be damaged

2. Washing the mounted boards

Since the film chip capacitor does not have a coating, components of flux or detergent left over on the element at the time of washing may be activated and invade into the inside of the capacitor, and adverse effects may be caused. Observe the following cautions.

- In the case of washing, use flux and cream solder with halogen content of 0.1wt.% or less when
- In the case of ultrasonic washing, note that peeling of protective film, electrode separation due to resonance, or characteristic deterioration may occur depending on the detergent used or ultrasonic output. Check carefully beforehand.
- When using a CFC substitute detergent, with the washing method of spraying detergent (rinsing water)to the substrate at high pressure, the protective film on the element surface may be peeled off due to the water pressure. Check carefully beforehand.

<CFC substitute detergent>

As a result of regulation of CFC and chlorine derivative detergents, many substitute detergents come to be used, but the performance of the film chip capacitor may be reduced depending on the type of detergent or washing condition. Check sufficiently beforehand. Consult us in advance if planning to use CFC substitute detergent.

<Drying after washing>

Dry after washing so that the detergent is not left over. If drying is insufficient, the detergent is left over on the element surface, and the insulation resistance is measured to be lowered. Dry enough so as not to leave detergent.

<Recommended detergent and washing method>

(Recommended detergent)

| Classification | Detergent name | Maker |
|--------------------|------------------------|--------------------------------------|
| Alcohol derivative | IPA(isopropyl alcohol) | (Reagent for general industrial use) |

(Washing method)

| Item \ Condition | Temperature | Time |
|--------------------|-------------|------------------|
| Immersion washing | 50°C | Within 5 minutes |
| Steam washing | 50°C | Within 5 minutes |
| Ultrasonic washing | 50°C | Within 5 minutes |

For reference, applicability of the film capacitors detergent is listed to the next page.

<List of applicability of detergents>

| Washing condition | | | Chip type |
|---|--|---|-----------|
| Solvent | Alcohol | Ethanol Ultrasonic washing or immersion washing for 5 min | ○ |
| | | Isopropyl alcohol (IPA) Ultrasonic washing or immersion washing for 5 min | ○ |
| | Silicon | FRW-17Ultrasonic washing for 5 min, 60 °C ⇒FRW-1NUltrasonic washing for 5 min, 60 °C ⇒FRW-100Steam drying for 1 min, 100 °C | ○ |
| | | Halogen HCFC141b-MS Ultrasonic washing or immersion washing for 5 min | ○ |
| | Petroleum hydrocarbon | P3 Cold Cleaner 225S Ultrasonic washing for 5 min 60 °C ⇒ IPA ultrasonic rinsing for 5 min at ordinary temperature ⇒ hot air drying for 5 min, 40 °C | ○ |
| | | Toluene Ultrasonic washing or immersion washing for 5 min | × |
| Terpene Terpene Cleaner EC-7 Spray washing for 5 min at ordinary temperature ⇒ purified water spraying for 5 min, 50°C ⇒ hot air drying for 5 min, 80°C | × | | |
| Water | Purified water Ultrasonic washing for 5 min 60 °C ⇒ wind-free dryingfor 5 min, 85 °C | × | |
| | Surface active agent | Clean Through 750H Ultrasonic washing for 5 min, 60 °C ⇒ purified water ultrasonic washing for 5 min, 60 °C ⇒ hot air drying for 5 min, 85 °C | × |
| | | Clean Through 750L Ultrasonic washing for 5 min, 60 °C ⇒ purified water ultrasonic washing for 5 min, 60 °C ⇒ hot air drying for 5 min, 85 °C | × |
| | | Clean Through 710M Ultrasonic washing for 5 min, 60°C ⇒ purified water ultrasonic washing for 5 min, 60 °C ⇒ hot air drying for 5 min, 85 °C | × |
| | | Clean Through LC-841 Ultrasonic washing for 5 min, 60 °C ⇒ purified water ultrasonic washing for 5 min, 60 °C ⇒ hot air drying for 5 min, 85 °C | × |
| | | Pine Alpha ST-100S Ultrasonic washing for 5 min, 60 °C ⇒ purified water ultrasonic washing for 5 min, 60°C ⇒ hot air drying for 5 min, 85 °C | × |
| | | Aqua Cleaner 210SET Shower washing for 1 min, 60 °C ⇒ purified water ultrasonic washing for 5 min, 60 °C ⇒ hot air drying for 5 min, 85 °C | × |
| | | | |
| ○ : Washing enabled × : Washing disabled — : Not confirmed | | | |

<Wash-free flux>

| | | | |
|-----------|------------------|-----------|---|
| Wash-free | Low residue flux | ULF-500VS | ○ |
| | Inactivated flux | AM-173 | ○ |

- Washing disabled (x mark) detergent should be avoided because the appearance may be impaired, the characteristic may be deteriorated, and the reliability cannot be guaranteed

3. Temperature measuring in soldering of film capacitor

When using film capacitor of chip type, measure the element temperature profile in mounting in the following manner, and make sure the soldering is done below the heat resisting temperature.

<Preparation of measuring sample>

Fix thermo couple ($\Phi 0.1$ T wire) to the top of the capacitor with adhesive.

<Measurement of temperature profile>

As shown below, connect a thermocouple (3 - 4)m of same type as the thermocouple to the capacitor, to the thermocouple of the capacitor as shown below. Mount the sample on the mounting printed wiring board, and pass into the soldering and mounting process, and measure the temperature profile.

