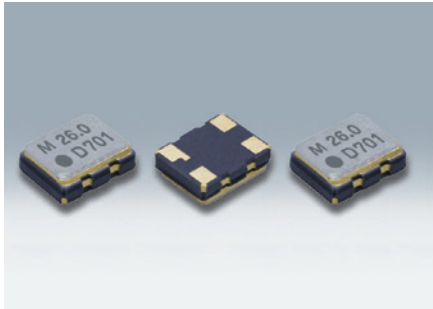


SMD VC-TCXO / TCXO

DSA221SJ/DSB221SJ

for Industrial Radio system



Actual size

■ Features

- Supply voltage up to +2.3~+3.6V
- CMOS Level Output
- Low phase noise
- Single package structure
- Moisture prevention packing is unnecessary.
Moisture Sensitivity Level: LEVEL 1 (IPC/JEDEC J-STD-033)



■ Applications

- Industrial radio communications

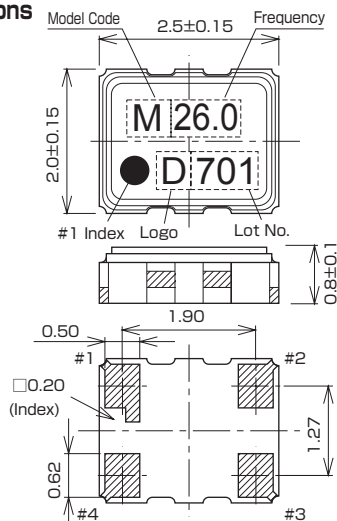
■ Standard Specification

Item	Type	VC-TCXO	TCXO
		DSA221SJ	DSB221SJ
Output Frequency Range		10~40MHz	
Standard Frequency		13MHz/ 19.2MHz/ 20MHz/ 26MHz/ 38.4MHz/ 40MHz	
Supply Voltage(Vcc)		+2.6V / +2.8V / +3.0V / +3.3V	
Current Consumption		+4.0mA max.(f≤26MHz) / +6.0mA max.(f>26MHz)	
0 Level Output Voltage		Vcc×0.1V	
1 Level Output Voltage		Vcc×0.9V	
Output Load		15pF	
Rise and Fall Time		10ns max.(10%~90% Vcc Level)	
Frequency Stability Tolerance		±1.5×10 ⁻⁶ max.(After 2 reflows)	
vs. Temperature		±2.5×10 ⁻⁶ max./ -30~+85°C	
vs. Supply Voltage		±0.3×10 ⁻⁶ max.(Vcc±5%)	
vs. Aging		±1.0×10 ⁻⁶ max. /year	
Frequency Control Control Sensitivity		±9.0×10 ⁻⁶ ~±15×10 ⁻⁶ / Vcont=+1.5V±1.0V	-
Response Slope		Positive	-
Start up Time		2.0ms max.	
Phase Noise		[f≤15MHz]	[15MHz<f≤26MHz] [f>26MHz]
Offset 100Hz		-115dBc/Hz	-110dBc/Hz -105dBc/Hz
Offset 1kHz		-135dBc/Hz	-130dBc/Hz -125dBc/Hz
Offset 10kHz		-145dBc/Hz	-140dBc/Hz -135dBc/Hz
Offset 100kHz		-145dBc/Hz	-145dBc/Hz
Packing Unit		2000pcs./reel (φ 180)	

Consult our sales representative for other specifications.

[mm]

■ Dimensions



Model Code
M : VC-TCXO (DSA221SJ)
N : TCXO (DSB221SJ)

Pin Connections	
Pin No.	Connection
#1	Vcont(VC-TCXO)/GND(TCXO)
#2	GND
#3	Output
#4	Vcc

■ Recommended Land Pattern <Top View>

