

MATERIALS AND FINISHS

FAKRA JACK

BODY ZINC ALLOY
PLATED NICKEL

CENTER CONTACT BRASS
PLATED GOLD

INSULATOR TEFLON

GASKET SILICONE RUBBER

RETAINING RING CARBON SPRING STEEL
PLATED NICKEL

SHROUD HIGH TEMPERATURE PLASTIC
COLOR CODE I BORDEAUX VIOLET
CODE Z WATER BLUE

MICRO COAXIAL CONNECTOR

SHELL PHOSPHOR BRONZE
PLATED GOLD

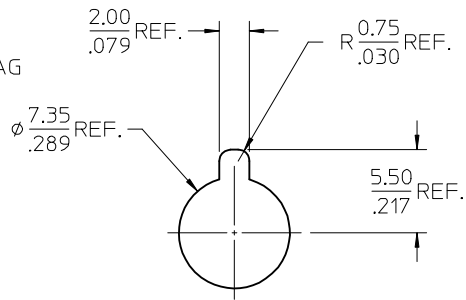
CENTER CONTACT PHOSPHOR BRONZE
PLATED GOLD

INSULATOR PBT

CABLE 1.32 CABLE

SHRINK TUBE
ATUM 4/1-0

PACKAGING BY POLYBAG



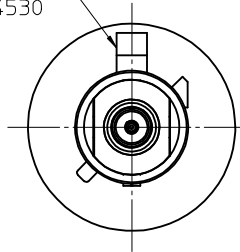
RECOMMENDED PANEL
THICKNESS 2.5MM

ELECTRICAL SPEC.

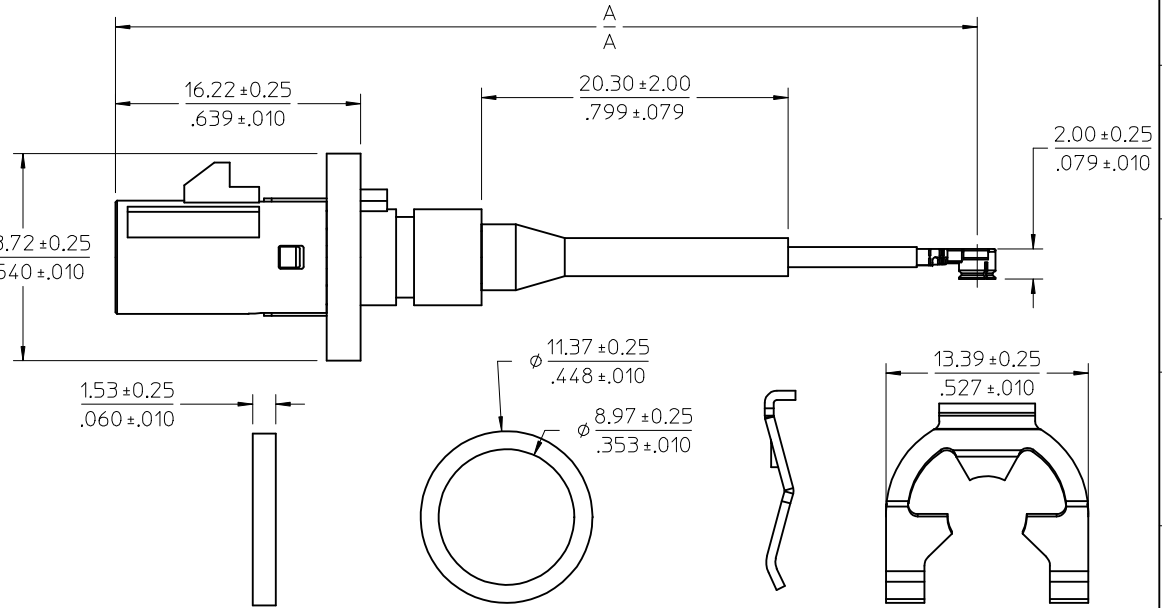
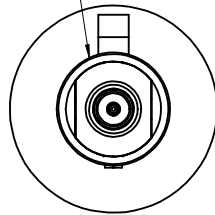
IMPEDANCE: 50 OHMS
FREQUENCY RANGE: DC TO 2G HZ
(VSWR 1.4 MAX.)

MAXIMUM WORKING VOLTAGE: 60V rms
MINIMUM INSULATION RESISTANCE: 500M
UL94V0,RoHS

CODE I
89762-4530



CODE Z
89762-4531



89762-4537	3.937±.197	100.00±5.00	CODE Z
89762-4536	3.937±.197	100.00±5.00	CODE I
89762-4535	11.811±.197	300.00±5.00	CODE Z
89762-4534	13.78±.197	350.00±5.00	CODE Z
89762-4533	7.874±.197	200.00±5.00	CODE Z
89762-4532	7.874±.197	200.00±5.00	CODE I
89762-4531	5.906±.197	150.00±5.00	CODE Z
89762-4530	5.906±.197	150.00±5.00	CODE I
PART NO.	IN	MM	KEY CODE
-	A		SHROUD

CHG:ADD -4536/-4537 PER PDR17042408 EC NO: URF2017-0365 DRW:MCW102 2017/04/27 CHKD: APPR:YCHENG 2017/05/09 DESCRIPTION REV: A5	QUALITY SYMBOLS ▽=0 ▽=0 ▽=0	GENERAL TOLERANCES (UNLESS SPECIFIED) mm INCH 4 PLACES ± --- ± --- 3 PLACES ± --- ± --- 2 PLACES ± --- ± --- 1 PLACE ± --- ± --- 0 PLACE ± --- ± --- ANGULAR ± 2 ° DRAFT WHERE APPLICABLE MUST REMAIN WITHIN DIMENSIONS	DIMENSION STYLE MM/IN DRAWN BY EL IN DATE 2013/03/04 CHECKED BY KERRIE DATE 2013/03/04 APPROVED BY MHUANG DATE 2013/03/29	SCALE 4:1 DESIGN UNITS METRIC THIRD ANGLE PROJECTION	TITLE CA, FAKRA JACK STR. TO MICRO COAXIAL 1.32 CABLE CA-FAKRA-J/MC molex DOCUMENT NO. SD-89762-453 SHEET NO. 1 OF 1
	THIS DRAWING CONTAINS INFORMATION THAT IS PROPRIETARY TO MOLEX INCORPORATED AND SHOULD NOT BE USED WITHOUT WRITTEN PERMISSION				